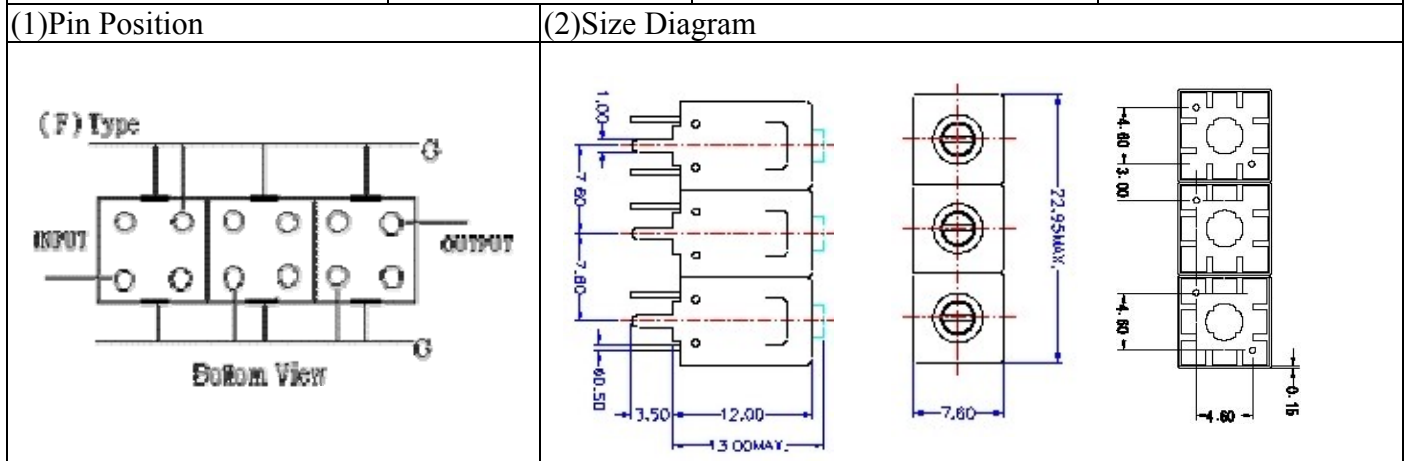


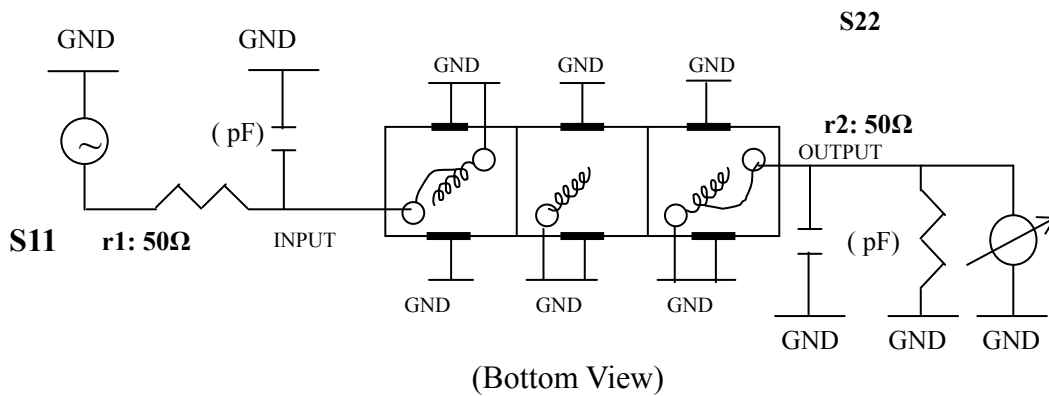
# VHF UHF Helical Filter Specification Sheet

Customer Name		Temwell's Part No.	TTL63179F-651M
Approval No. /dated	0701100APR	Acceptable Specify Fo Range.	641~660MHz
Work Instruction No.	0701100DC	Date	Jan.27.2007



(3) Electric Characteristic			
Item	Specify	Performance	
Center Freq.(Fo) +/- 0.5 %	651 MHz	651 MHz	
Tunable Range:	651±5 MHz	651±5 MHz	
Insertion Loss	Typ. 5.0 dB	3.54 dB	
-3 dB Bandwidth	Typ. 8 MHz	11.8 MHz	
Sensitivity (Attenuation)	Fo - 20 MHz	Typ. 27 dB	30 dB
	Fo + 20 MHz	Typ. 22 dB	25 dB
	Fo - ( )MHz	Typ. dB	dB
	Fo +( )MHz	Typ. dB	dB
Return Loss	Min. 12 dB	17.7 dB	
Ripple	< 1 dB		dB
Impedance	In / Out : 75 Ω	In / Out : 75 Ω	
(4) Torque for Tuning Screw	> 60gf · cm		
(5) Temperature Condition:			
Operating Temperature	0°C ~ +60°C		
Storage Temperature	20°C ~ +70°C		
(6) Input Power	> 1Watt		

(7) Measuring Circuit: ※Easy to match Impedance S11/S22 75Ω by parallel with about( pF) / ( pF).



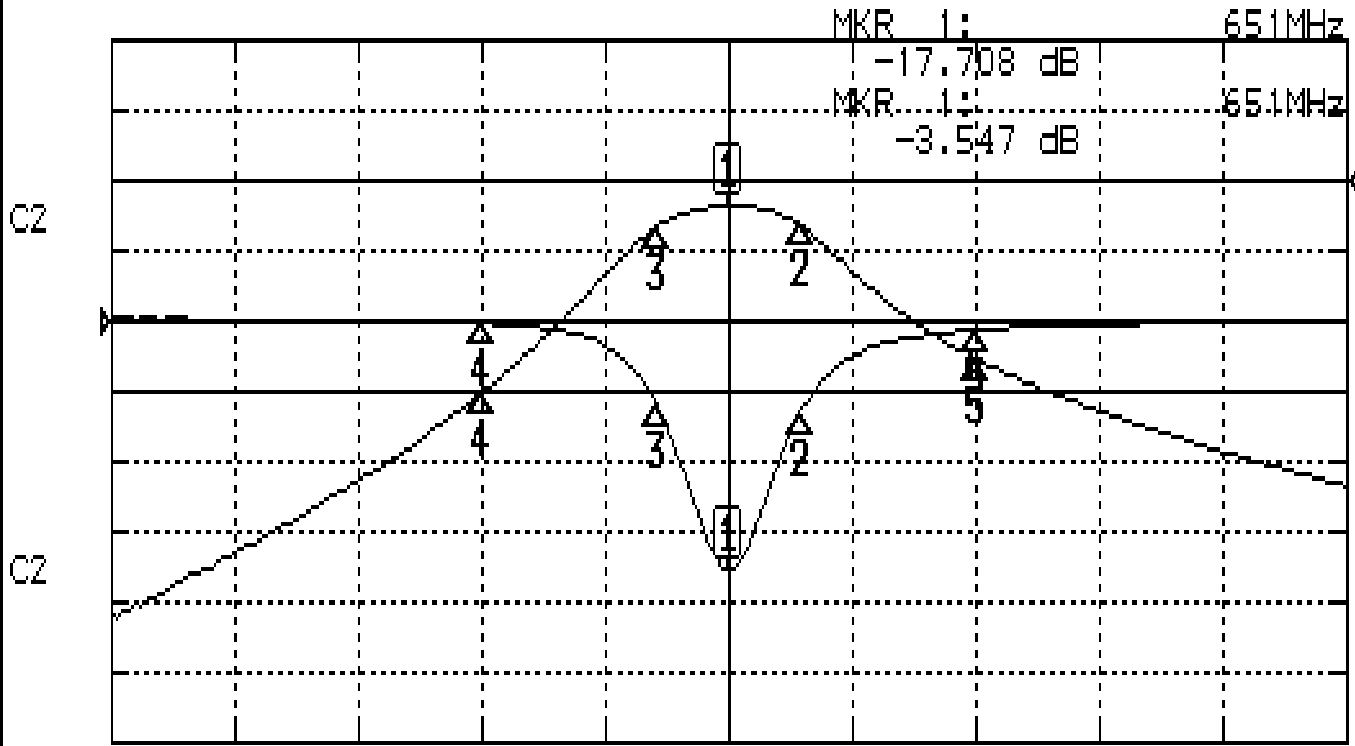
Approval C.Y.Chang	Supervisor C.S.Chang	Designer J.F.Lin	Aperture size 7H3(4*4.65F) 7H046LB4 聚 3
-----------------------	-------------------------	---------------------	---

TEMWELL CORPORATION

# Performance-TTL63179F-651M

## 0701100DC

**CH1** S11                      LOG MAG                      REF    0.000 dB            5.000 dB/  
**CH2** S21                      LOG MAG                      REF    0.000 dB            10.000 dB/



CENTER 651MHz

[ 10.00 dBm ]

SPAN 100MHz

### CH1 MARKER LIST

1:	651.000MHz	-17.729	dB
2:	656.916MHz	-16.442	dB
3:	645.166MHz	-15.902	dB
4:	631.000MHz	-0.120	dB
5:	671.000MHz	-0.602	dB

### CH2 MARKER LIST

1:	651.000MHz	-3.547	dB
2:	656.916MHz	-6.562	dB
3:	645.166MHz	-6.523	dB
4:	631.000MHz	-30.194	dB
5:	671.000MHz	-25.319	dB