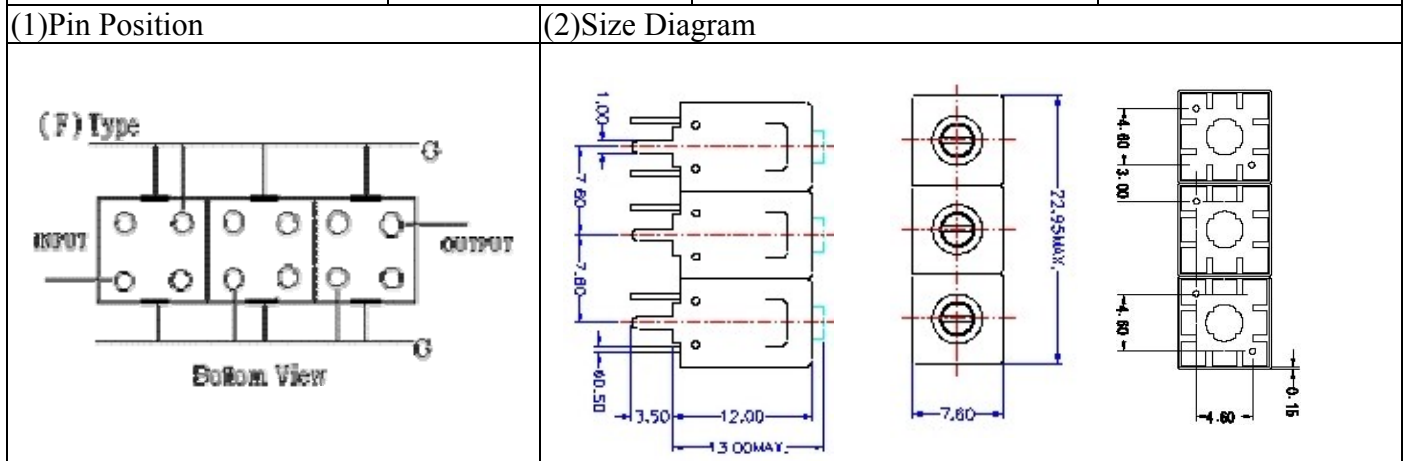
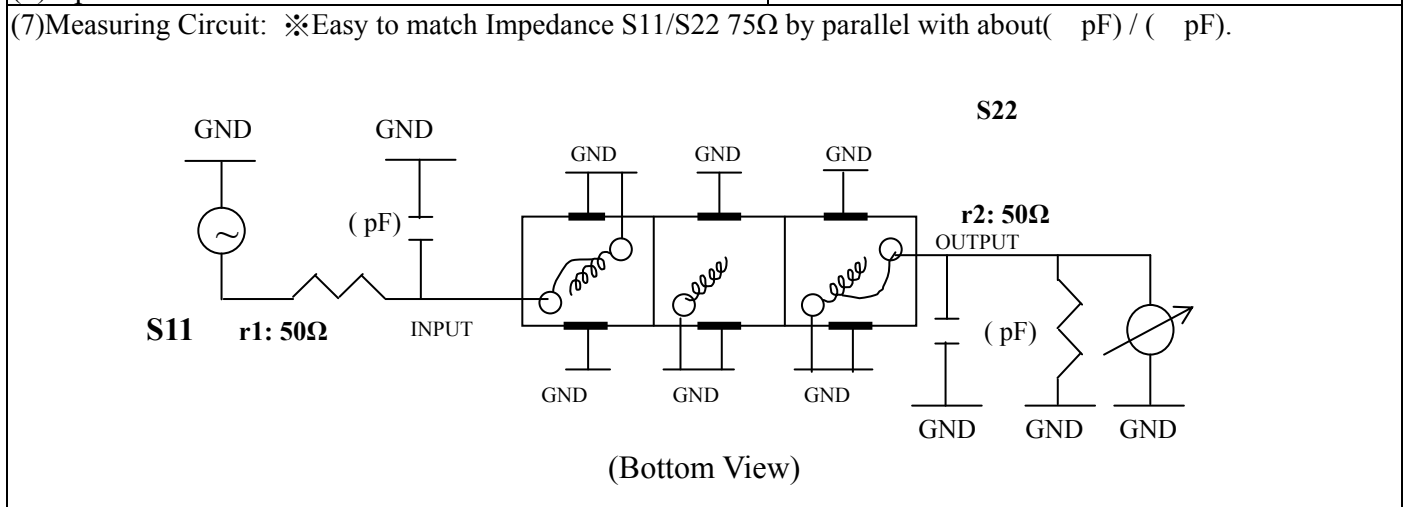


VHF UHF Helical Filter Specification Sheet

Customer Name		Temwell's Part No.	TTL63178F-643M
Approval No. /dated	0701099APR	Acceptable Specify Fo Range.	641~660MHz
Work Instruction No.	0701099DC	Date	Jan.27.2007



(3) Electric Chararistic			
Item		Specify	Performance
Center Freq.(Fo) +/- 0.5 %		643 MHz	643 MHz
Tunable Range:		643±5 MHz	643±5 MHz
Insertion Loss		Typ. 5.0 dB	3.57 dB
-3 dB Bandwidth		Typ. 8 MHz	11.5 MHz
Sensitivity (Attenuation)	Fo - 20 MHz	Typ. 26 dB	29 dB
	Fo + 20 MHz	Typ. 22 dB	25 dB
	Fo - ()MHz	Typ. dB	dB
	Fo +()MHz	Typ. dB	dB
Return Loss		Min. 12 dB	14.5 dB
Ripple		< 1 dB	dB
Impedance		In / Out : 75 Ω	In / Out : 75 Ω
(4) Torque for Tuning Screw		> 60gf · cm	
(5) Temperature Condition:			
Operating Temperature		0°C ~ +60°C	
Storage Temperature		20°C ~ +70°C	
(6) Input Power		> 1Watt	



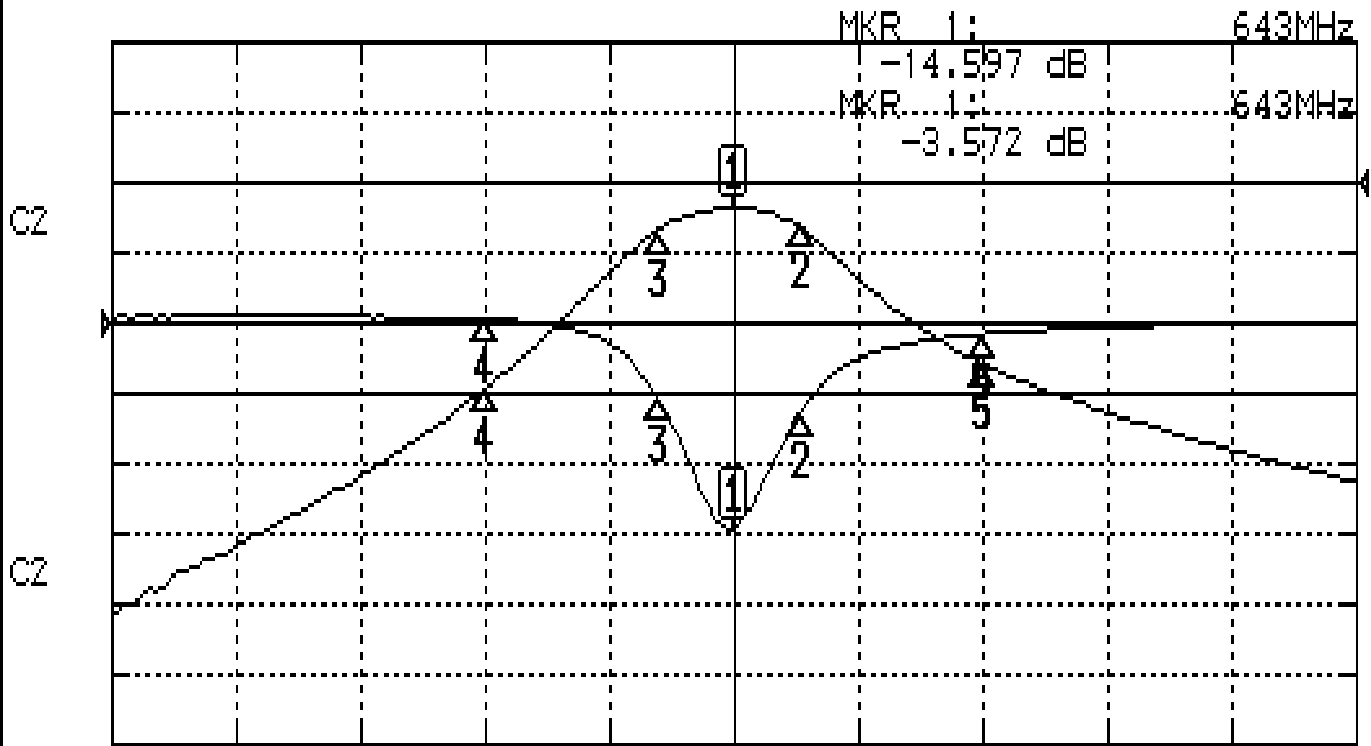
Approval	Supervisor	Designer	Aperture size
C.Y.Chang	C.S.Chang	J.F.Lin	7H3(4*4.65F) 7H046LB4 聚 3

TEMWELL CORPORATION

Performance-TTL63178F-643M

0701099DC

CH1 S11 LOG MAG REF 0.000 dB 5.000 dB/
CH2 S21 LOG MAG REF 0.000 dB 10.000 dB/



CENTER 643MHz

[10.00 dBm]

SPAN 100MHz

CH1 MARKER LIST

1:	643.000MHz	-14.597	dB
2:	648.416MHz	-16.244	dB
3:	636.916MHz	-15.326	dB
4:	623.000MHz	-10.287	dB
5:	663.000MHz	-0.738	dB

CH2 MARKER LIST

1:	643.000MHz	-3.572	dB
2:	648.416MHz	-16.573	dB
3:	636.916MHz	-16.628	dB
4:	623.000MHz	-29.286	dB
5:	663.000MHz	-25.846	dB