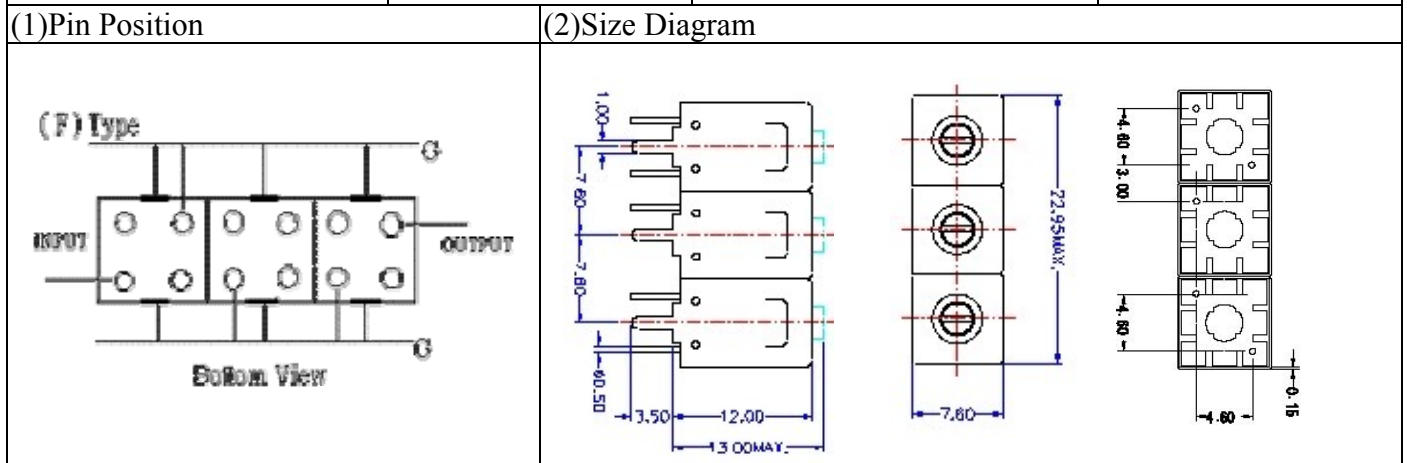


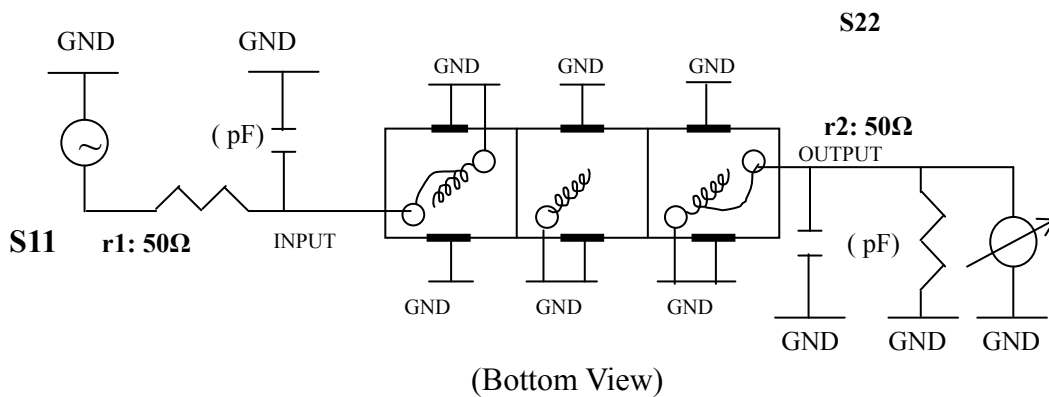
VHF UHF Helical Filter Specification Sheet

Customer Name		Temwell's Part No.	TTL63174F-611M
Approval No. /dated	0701095APR	Acceptable Specify Fo Range.	596~640MHz
Work Instruction No.	0701095DC	Date	Jan.24.2007



(3) Electric Characteristic			
Item	Specify	Performance	
Center Freq.(Fo) +/- 0.5 %	611 MHz	611 MHz	
Tunable Range:	611±5 MHz	611±5 MHz	
Insertion Loss	Typ. 5.0 dB	3.61 dB	
-3 dB Bandwidth	Typ. 8 MHz	11.2 MHz	
Sensitivity (Attenuation)	Fo - 20 MHz	Typ. 29 dB	32 dB
	Fo + 20 MHz	Typ. 24 dB	27 dB
	Fo - ()MHz	Typ. dB	dB
	Fo +()MHz	Typ. dB	dB
Return Loss	Min. 12 dB	19.4 dB	
Ripple	< 1 dB	dB	
Impedance	In / Out : 75 Ω	In / Out : 75 Ω	
(4) Torque for Tuning Screw		> 60gf · cm	
(5) Temperature Condition:			
Operating Temperature		0°C ~ +60°C	
Storage Temperature		20°C ~ +70°C	
(6) Input Power		> 1Watt	

(7) Measuring Circuit: ※Easy to match Impedance S11/S22 75Ω by parallel with about(pF) / (pF).

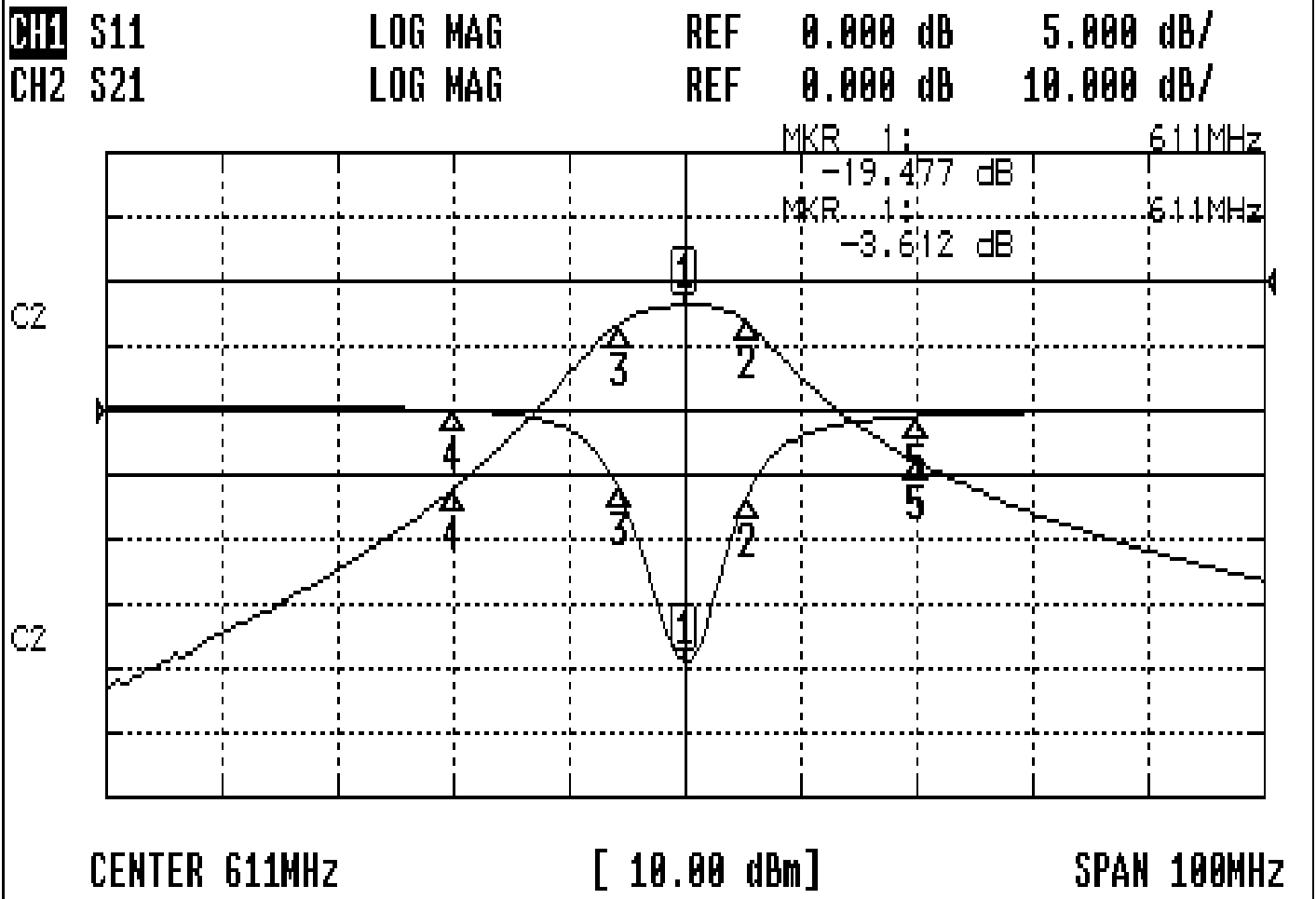


Approval	Supervisor	Designer	Aperture size
C.Y.Chang	C.S.Chang	J.F.Lin	7H3(4*4.65F) 7H046LB4 聚 3

TEMWELL CORPORATION

Performance-TTL63174F-611M

0701095DC



CH1 MARKER LIST

1:	611.000MHz	-19.459	dB
2:	616.416MHz	-6.529	dB
3:	605.250MHz	-6.062	dB
4:	591.000MHz	-0.034	dB
5:	631.000MHz	-0.451	dB

CH2 MARKER LIST

1:	611.000MHz	-3.612	dB
2:	616.416MHz	-6.629	dB
3:	605.250MHz	-6.623	dB
4:	591.000MHz	-32.099	dB
5:	631.000MHz	-27.824	dB