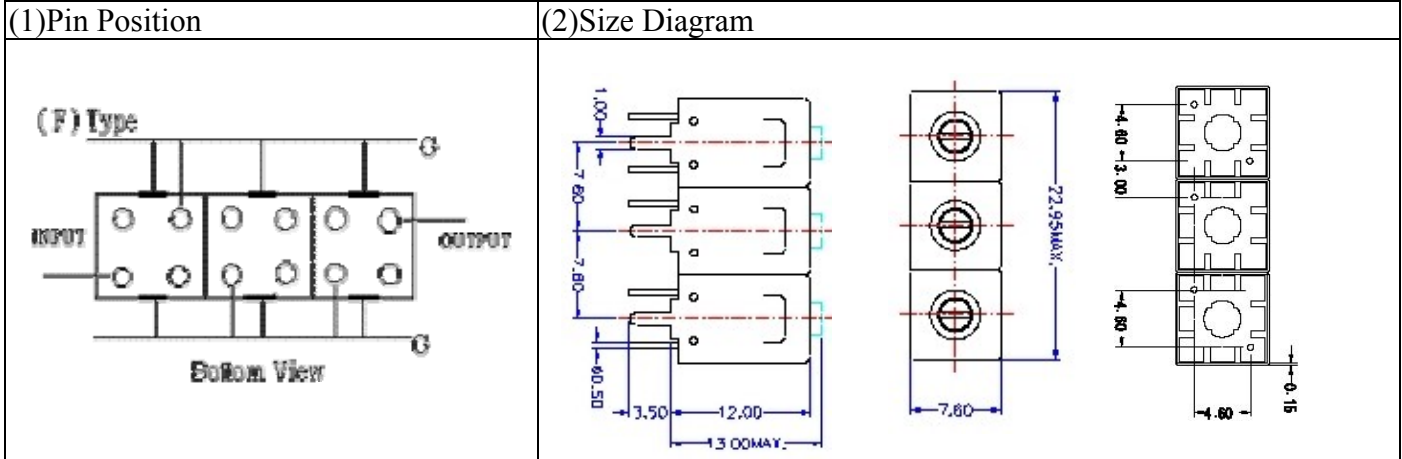


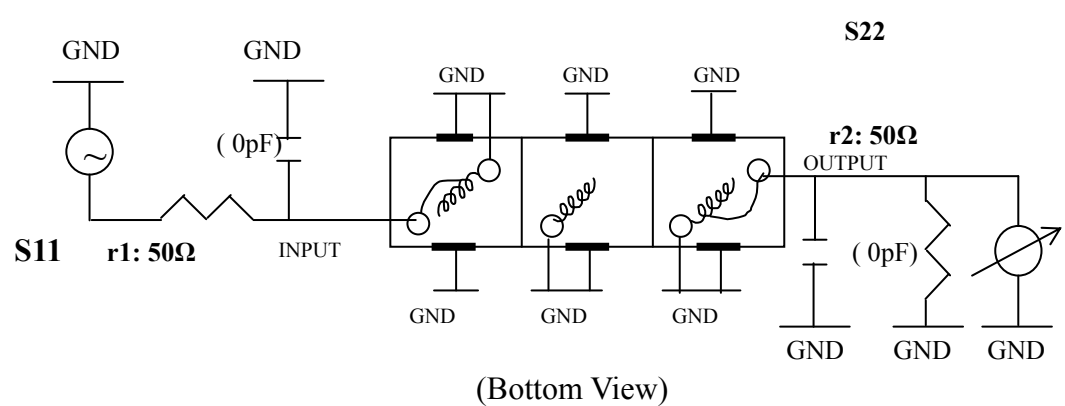
VHF UHF Helical Filter Specification Sheet

Customer Name		Temwell's Part No.	TTL63167F-555M
Approval No. /dated	0701088APR	Acceptable Specify Fo Range.	516~555M
Work Instruction No.	0701088DC	Date	Jan.29.2007



(3) Electric Character			
Item		Specify	Performance
Center Freq.(Fo) +/- 0.5 %		555 MHz	555 MHz
Tunable Range:		555±5 MHz	555±5 MHz
Insertion Loss		Typ. 4.5 dB	3.69 dB
-3 dB Bandwidth		Typ. 8 MHz	11.3 MHz
Sensitivity (Attenuation)	Fo - 15 MHz	Typ. 21 dB	24 dB
	Fo + 15 MHz	Typ. 17 dB	20 dB
	Fo - ()MHz	Typ. dB	dB
	Fo +()MHz	Typ. dB	dB
Return Loss		Min. 12 dB	35.6 dB
Ripple		< 1 dB	dB
Impedance		In / Out : 75 Ω	In / Out : 75 Ω
(4) Torque for Tuning Screw		> 100gf · cm	
(5) Temperature Condition:			
Operating Temperature		0°C ~ +60°C	
Storage Temperature		20°C ~ +70°C	
(6) Input Power		> 1Watt	

(7) Measuring Circuit: ※Easy to match Impedance S11/S22 75Ω by parallel with about(0pF) / (0pF).



Approval	Supervisor	Designer	Aperture size
C.Y.Chang	C.S.Chang	J.F.Lin	7H3(4*4.65F) 7H046LB4 聚 3

TEMWELL CORPORATION

Performance-TTL63167F-555M

0701088DC

CH1 S11

LOG MAG

REF 0.000 dB

5.000 dB/

CH2 S21

LOG MAG

REF 0.000 dB

10.000 dB/

MKR 1: 555MHz

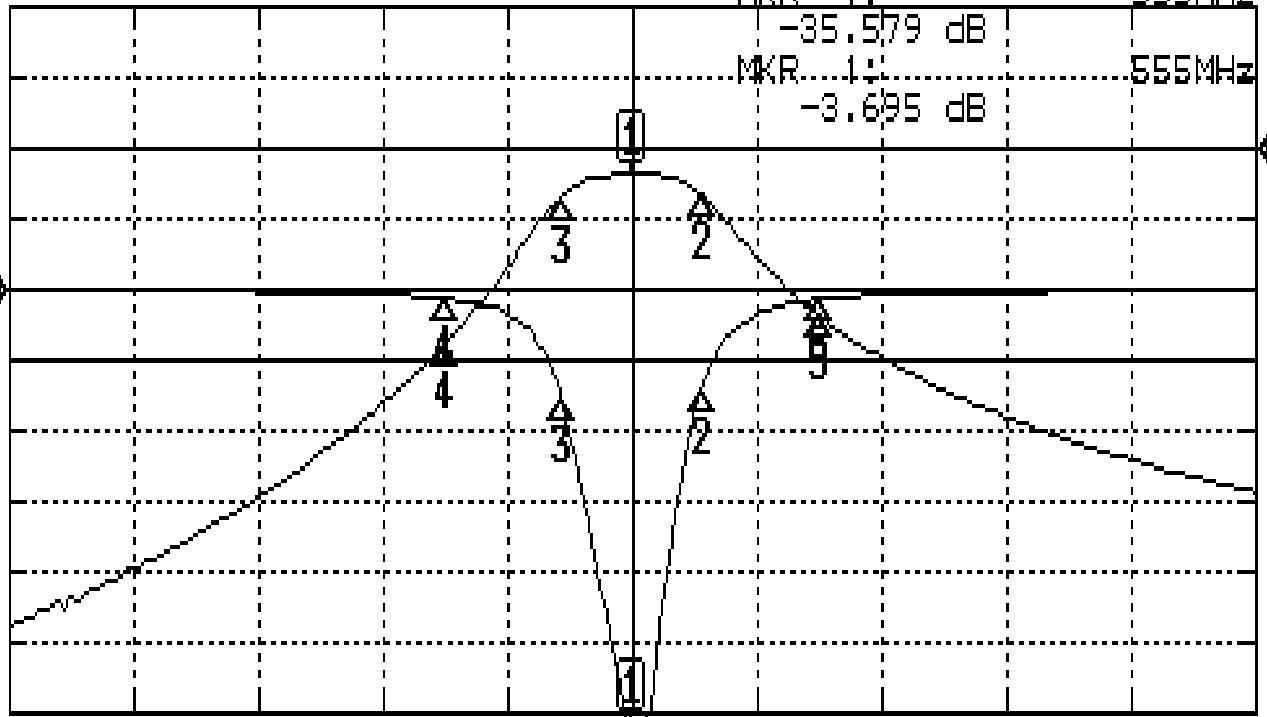
-35.579 dB

MKR 1: 555MHz

-3.695 dB

C2

C2



CENTER 555MHz

[10.00 dBm]

SPAN 100MHz

CH1 MARKER LIST

1:	555.000MHz	-35.608 dB
2:	560.666MHz	-7.026 dB
3:	549.333MHz	-7.610 dB
4:	540.000MHz	-0.631 dB
5:	570.000MHz	-0.664 dB
6:		
7:		
8:		
9:		
10:		

CH2 MARKER LIST

1:	555.000MHz	-3.695 dB
2:	560.666MHz	-6.706 dB
3:	549.333MHz	-6.795 dB
4:	540.000MHz	-27.661 dB
5:	570.000MHz	-23.693 dB
6:		
7:		
8:		
9:		
10:		