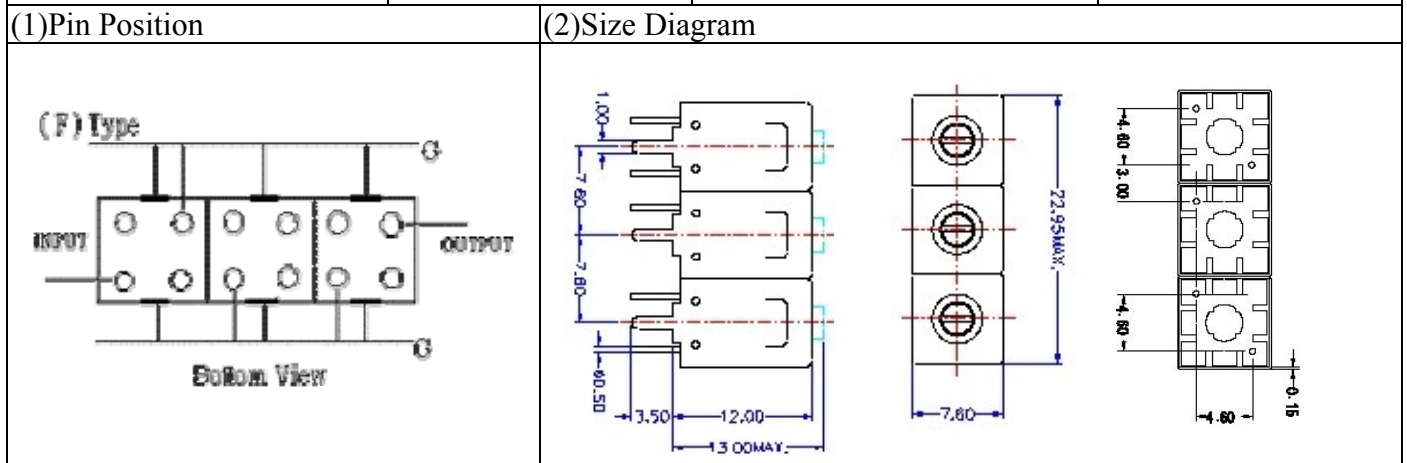
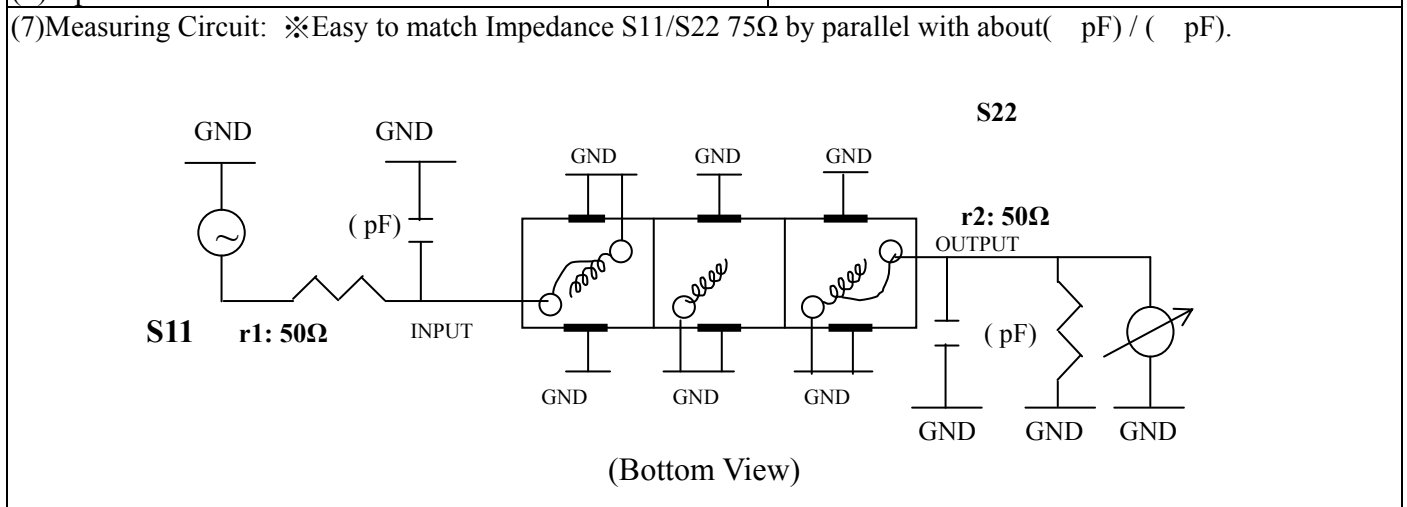


VHF UHF Helical Filter Specification Sheet

Customer Name		Temwell's Part No.	TTL63164F-531M
Approval No. /dated	0701085APR	Acceptable Specify Fo Range.	516~555M
Work Instruction No.	0701085DC	Date	Jan.31.2007



(3) Electric Character			
Item		Specify	Performance
Center Freq.(Fo) +/- 0.5 %		531 MHz	531 MHz
Tunable Range:		531±5 MHz	531±5 MHz
Insertion Loss		Typ. 5.0 dB	4.15 dB
-3 dB Bandwidth		Typ. 8 MHz	10.2 MHz
Sensitivity (Attenuation)	Fo - 15 MHz	Typ. 23 dB	26 dB
	Fo + 15 MHz	Typ. 18 dB	21 dB
	Fo - ()MHz	Typ. dB	dB
	Fo +()MHz	Typ. dB	dB
Return Loss		Min. 12 dB	25.5 dB
Ripple		< 1 dB	dB
Impedance		In / Out : 75 Ω	In / Out : 75 Ω
(4) Torque for Tuning Screw		> 100gf · cm	
(5) Temperature Condition:			
Operating Temperature		0°C ~ +60°C	
Storage Temperature		-20°C ~ +70°C	
(6) Input Power		> 1Watt	



Approval	Supervisor	Designer	Aperture size
C.Y.Chang	C.S.Chang	J.F.Lin	7H3(4*4.65F) 7H046LB4 聚 3

TEMWELL CORPORATION

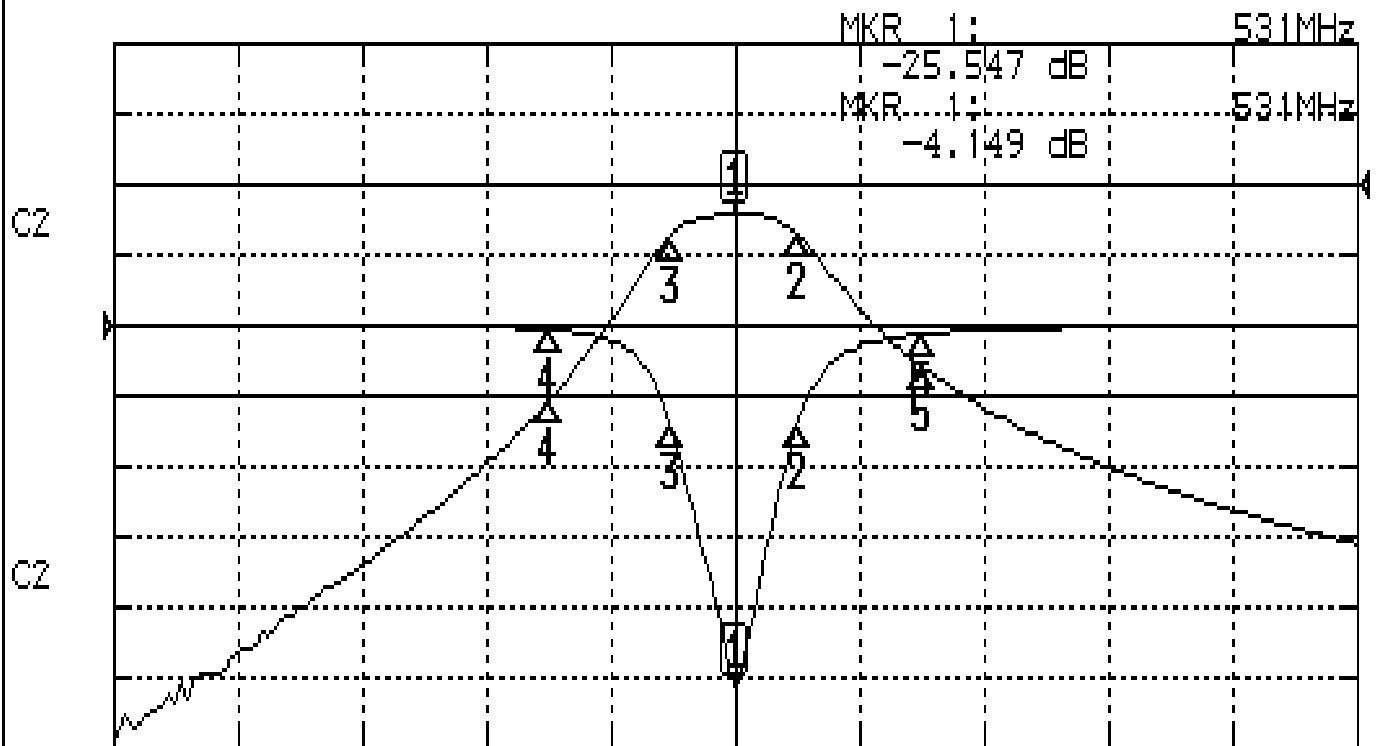
TEMWELL

Form10-7H3F Vision D RP(J.F.Lin)

Performance-TTL63164F-531M

0701085DC

CH1 S11 LOG MAG REF 0.000 dB 5.000 dB/
CH2 S21 LOG MAG REF 0.000 dB 10.000 dB/



CENTER 531MHz

[10.00 dBm]

SPAN 100MHz

CH1 MARKER LIST

1:	531.000MHz	-25.547 dB
2:	536.083MHz	-6.873 dB
3:	525.833MHz	-7.036 dB
4:	516.000MHz	-0.275 dB
5:	546.000MHz	-0.586 dB

CH2 MARKER LIST

1:	531.000MHz	-4.150 dB
2:	536.083MHz	-7.112 dB
3:	525.833MHz	-7.192 dB
4:	516.000MHz	-30.711 dB
5:	546.000MHz	-25.840 dB