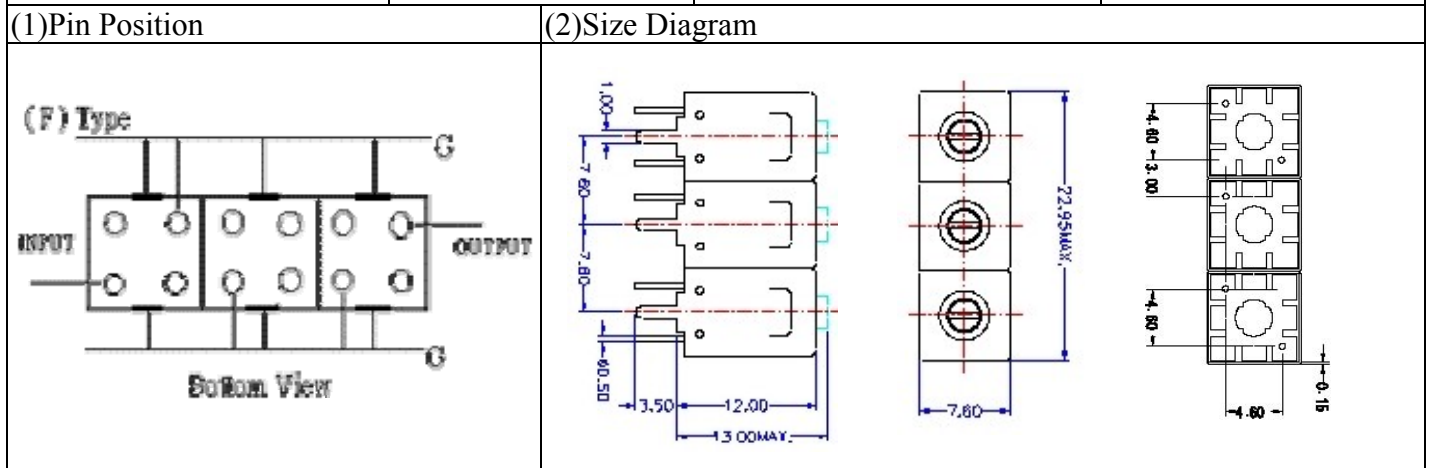


VHF UHF Helical Filter Specification Sheet

Customer Name		Temwell's Part No.	TTL63160F-499M
Approval No. /dated	0701081APR	Acceptable Specify Fo Range.	456~515M
Work Instruction No.	0701081DC	Date	Jan.31.2007



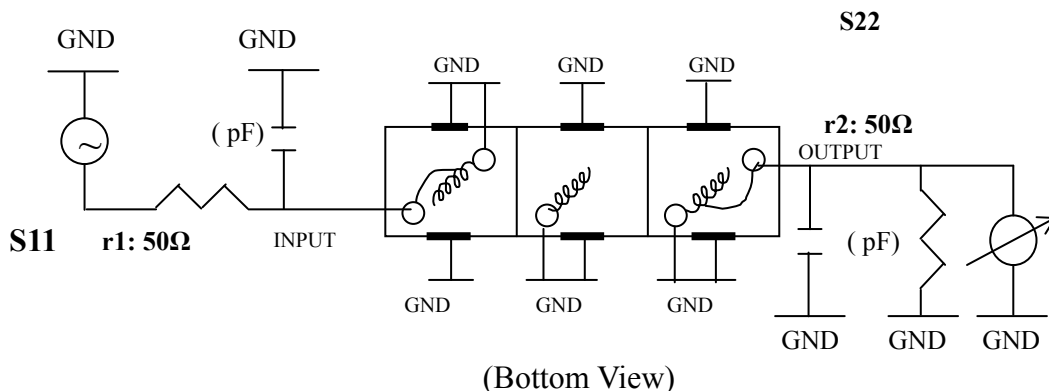
(3)Electric Character					
Item		Specify		Performance	
Center Freq.(Fo) +/- 0.5 %		499 MHz		499 MHz	
Tunable Range:		499±5 MHz		499±5 MHz	
Insertion Loss		Typ. 5.5 dB		4.62 dB	
-3 dB Bandwidth		Typ. 8 MHz		10.9 MHz	
Sensitivity (Attenuation)	Fo - 15 MHz	Typ. 27 dB		30 dB	
	Fo + 15 MHz	Typ. 23 dB		24 dB	
	Fo - ()MHz	Typ. dB		dB	
	Fo +()MHz	Typ. dB		dB	
Return Loss		Min. 12 dB		47.5 dB	
Ripple		< 1 dB		dB	
Impedance		In / Out : 75 Ω		In / Out : 75 Ω	

(4)Torque for Tuning Screw > 60gf • cm

(5)Temperature Condition:	
Operating Temperature	0°C ~ +60°C
Storage Temperature	-20°C ~ +70°C

(6)Input Power > 1Watt

(7)Measuring Circuit: ※Easy to match Impedance S11/S22 75Ω by parallel with about(pF) / (pF).



Approval	Supervisor	Designer	Aperture size
C.Y.Chang	C.S.Chang	J.F.Lin	7H3(4*5.5F) 7H046LB4 聚 3

TEMWELL CORPORATION

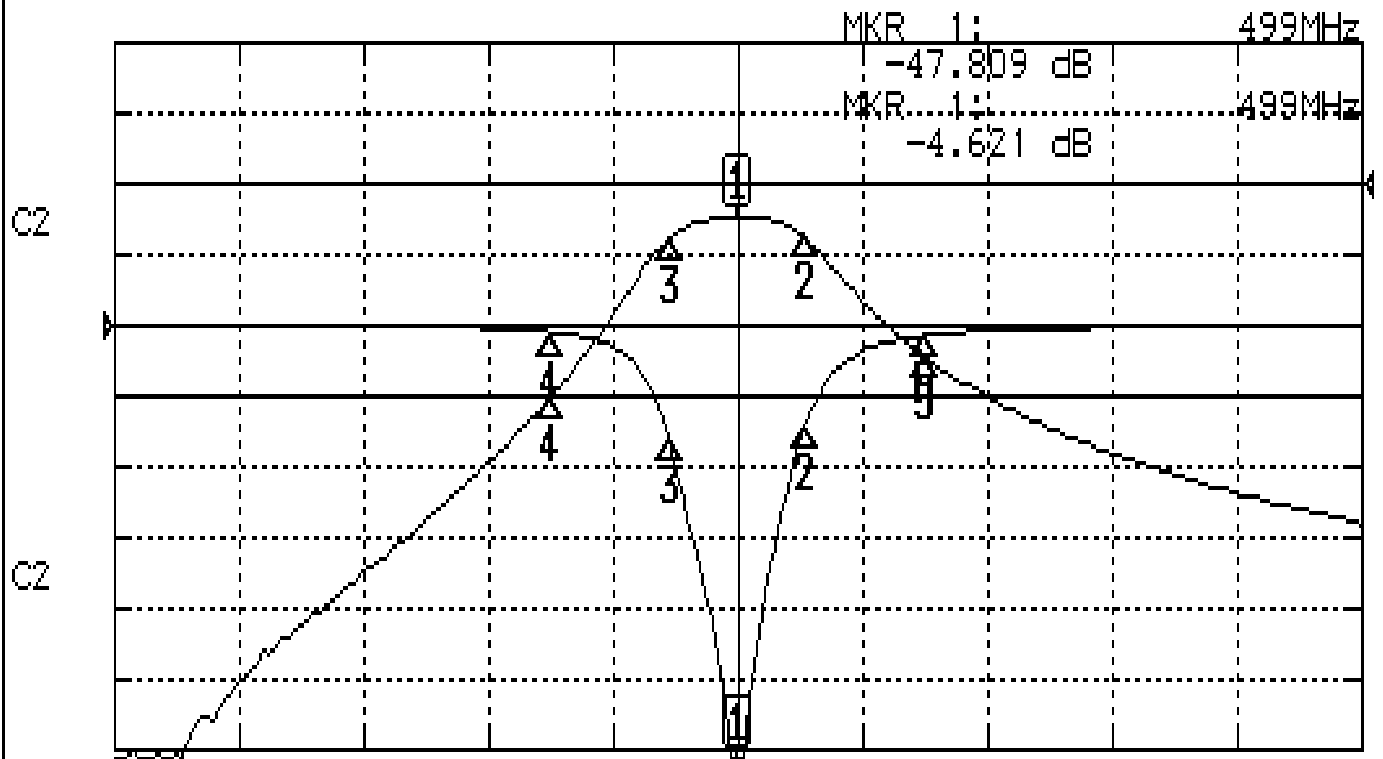
TEMWELL

Form10-7H3F Vision D RP(J.F.Lin)

Performance-TTL63160F-499M

0701081DC

CH1 S11 LOG MAG REF 0.000 dB 5.000 dB/
CH2 S21 LOG MAG REF 0.000 dB 10.000 dB/



CENTER 499MHz

[10.00 dBm]

SPAN 100MHz

CH1 MARKER LIST

1:	499.000MHz	-47.562 dB
2:	504.416MHz	-7.087 dB
3:	493.500MHz	-8.048 dB
4:	484.000MHz	-0.442 dB
5:	514.000MHz	-0.715 dB
6:		
7:		
8:		
9:		
10:		

CH2 MARKER LIST

1:	499.000MHz	-4.621 dB
2:	504.416MHz	-7.718 dB
3:	493.500MHz	-7.684 dB
4:	484.000MHz	-30.099 dB
5:	514.000MHz	-24.349 dB
6:		
7:		
8:		
9:		
10:		