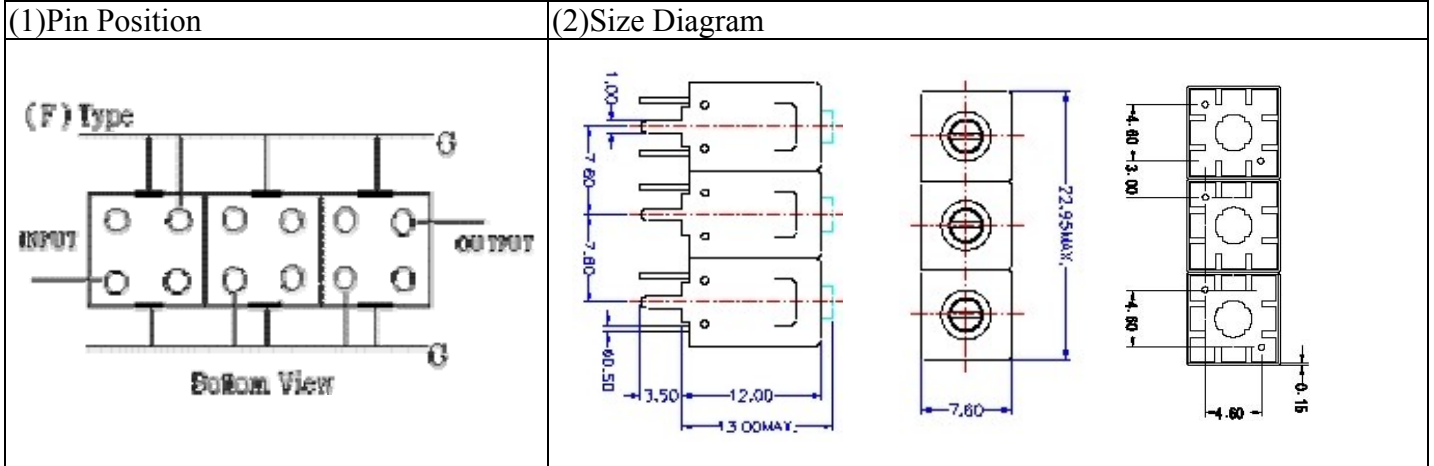


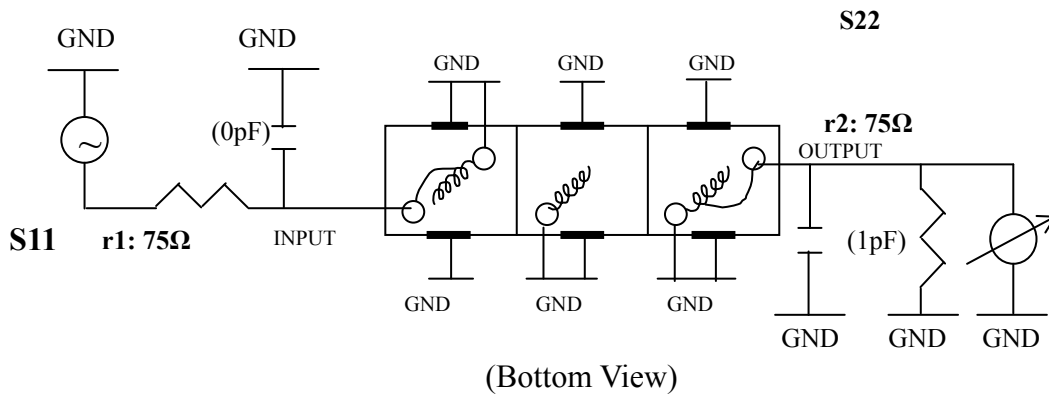
VHF UHF Helical Filter Specification Sheet

Customer Name		Temwell's Part No.	TTL63159F-491M
Approval No. /dated	0907033CD	Temwell's print name	63159F 491M
Work Instruction No.	200907033CD	Date	Aug.27.2009



(3) Electric Characteristic					
Item		Specify		Performance	
Center Freq.(Fo) +/- 0.5 %		491 MHz		491 MHz	
Insertion Loss		Typ. 4.0 dB		3.42 dB	
-3 dB Bandwidth		Typ. 8 MHz		10.6 MHz	
Sensitivity (Attenuation)	Fo - 15 MHz	Typ. 30 dB		33 dB	
	Fo + 15 MHz	Typ. 24 dB		27 dB	
	Fo - ()MHz	Typ. dBc		dBc	
	Fo + ()MHz	Typ. dBc		dBc	
Return Loss		Min. 12 dB		21.2 dB	
Ripple		< 1 dB		dB	
Impedance		In / Out : 75 Ω		In / Out : 75 Ω	
(4) Torque for Tuning Screw		> 100gf • cm			
(5) Temperature Condition:					
Operating Temperature		0°C ~ +60°C			
Storage Temperature		-20°C ~ +70°C			
(6) Input Power		> 1Watt			

(7) Measuring Circuit: ※Easy to match Impedance S11/S22 75 Ω by parallel with about(0pF) / (1pF).



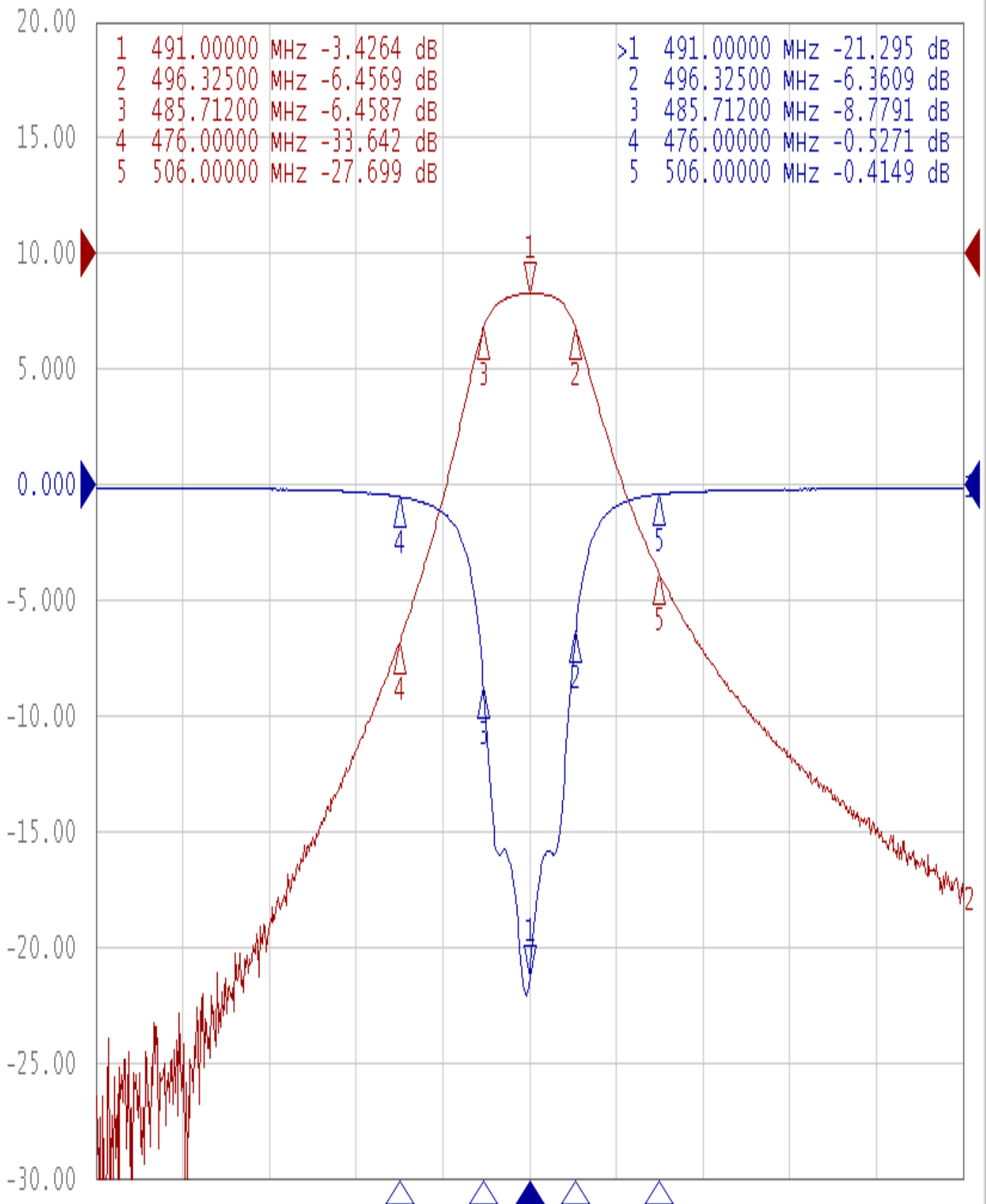
Approval	Supervisor	Designer	Aperture size
C.Y.Chang	C.K.Chang	C.S.Chang	7H3(4*4.65F)(4.72) 7H046LB4.3 聚 3

TEMWELL CORPORATION

Performance-TTL63159F-491M

200907033CD

Tr1 S11 Log Mag 5.000dB/ Ref 0.000dB [F2]
Tr2 S21 Log Mag 10.00dB/ Ref 0.000dB [F2]



1 Center 491 MHz

IFBW 10 kHz

Span 100 MHz Cor |