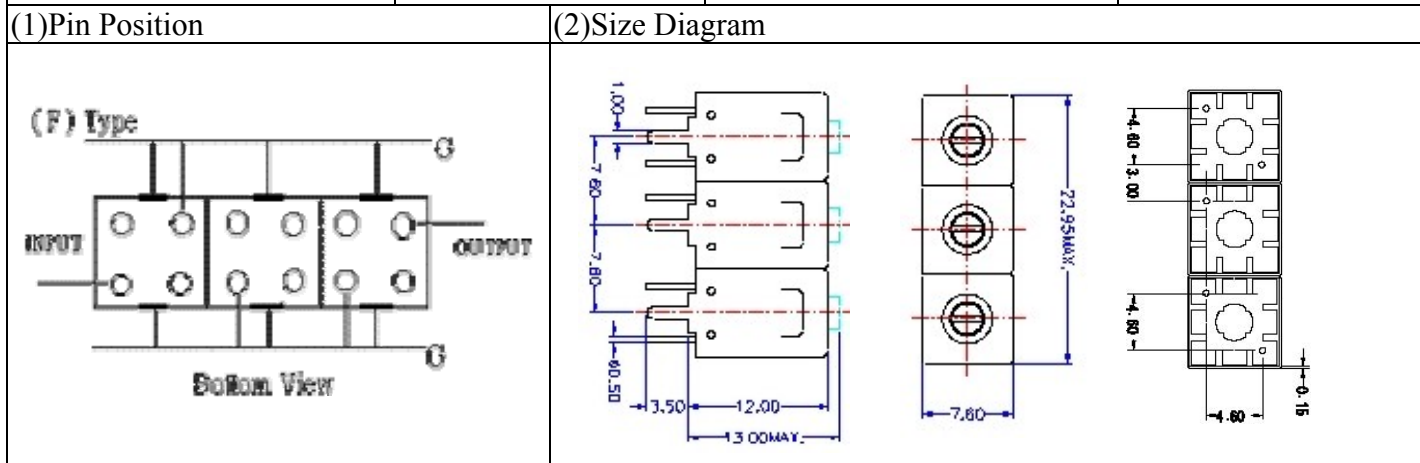


VHF UHF Helical Filter Specification Sheet

Customer Name		Temwell's Part No.	TTL63158F-483M
Approval No. /dated	0701079APR	Acceptable Specify Fo Range.	456~515M
Work Instruction No.	0701079DC	Date	Jan.31.2007



(3) Electric Character

Item	Specify	Performance
Center Freq.(Fo) +/- 0.5 %	483 MHz	483 MHz
Tunable Range:	483±5 MHz	483±5 MHz
Insertion Loss	Typ. 5.5 dB	4.77 dB
-3 dB Bandwidth	Typ. 8 MHz	10.1 MHz
Sensitivity (Attenuation)	Fo - 15 MHz	Typ. 27 dB
	Fo + 15 MHz	Typ. 20 dB
	Fo - ()MHz	Typ. dB
	Fo + ()MHz	Typ. dB
Return Loss	Min. 12 dB	18.9 dB
Ripple	< 1 dB	dB
Impedance	In / Out : 75 Ω	In / Out : 75 Ω

(4) Torque for Tuning Screw > 60gf · cm

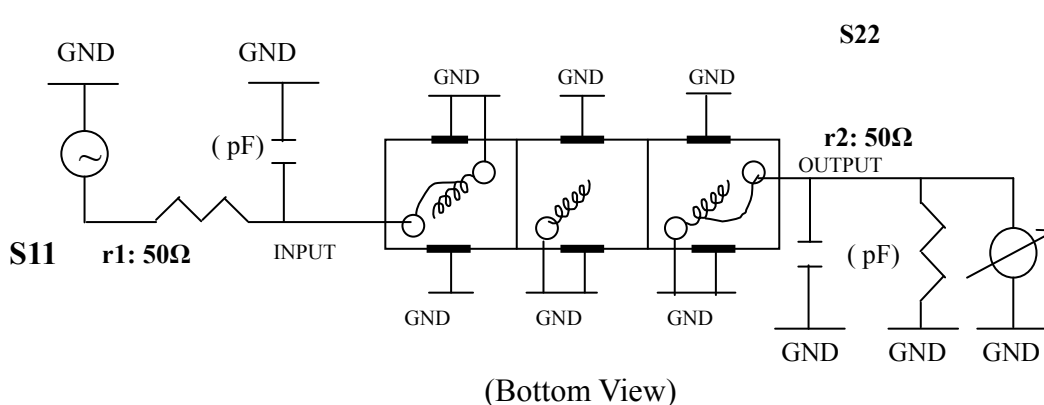
(5) Temperature Condition:

Operating Temperature 0°C ~ +60°C

Storage Temperature -20°C ~ +70°C

(6) Input Power > 1Watt

(7) Measuring Circuit: ※Easy to match Impedance S11/S22 75Ω by parallel with about(pF) / (pF).



Approval	Supervisor	Designer	Aperture size
C.Y.Chang	C.S.Chang	J.F.Lin	7H3(4*5.5F) 7H046LB4 聚 3

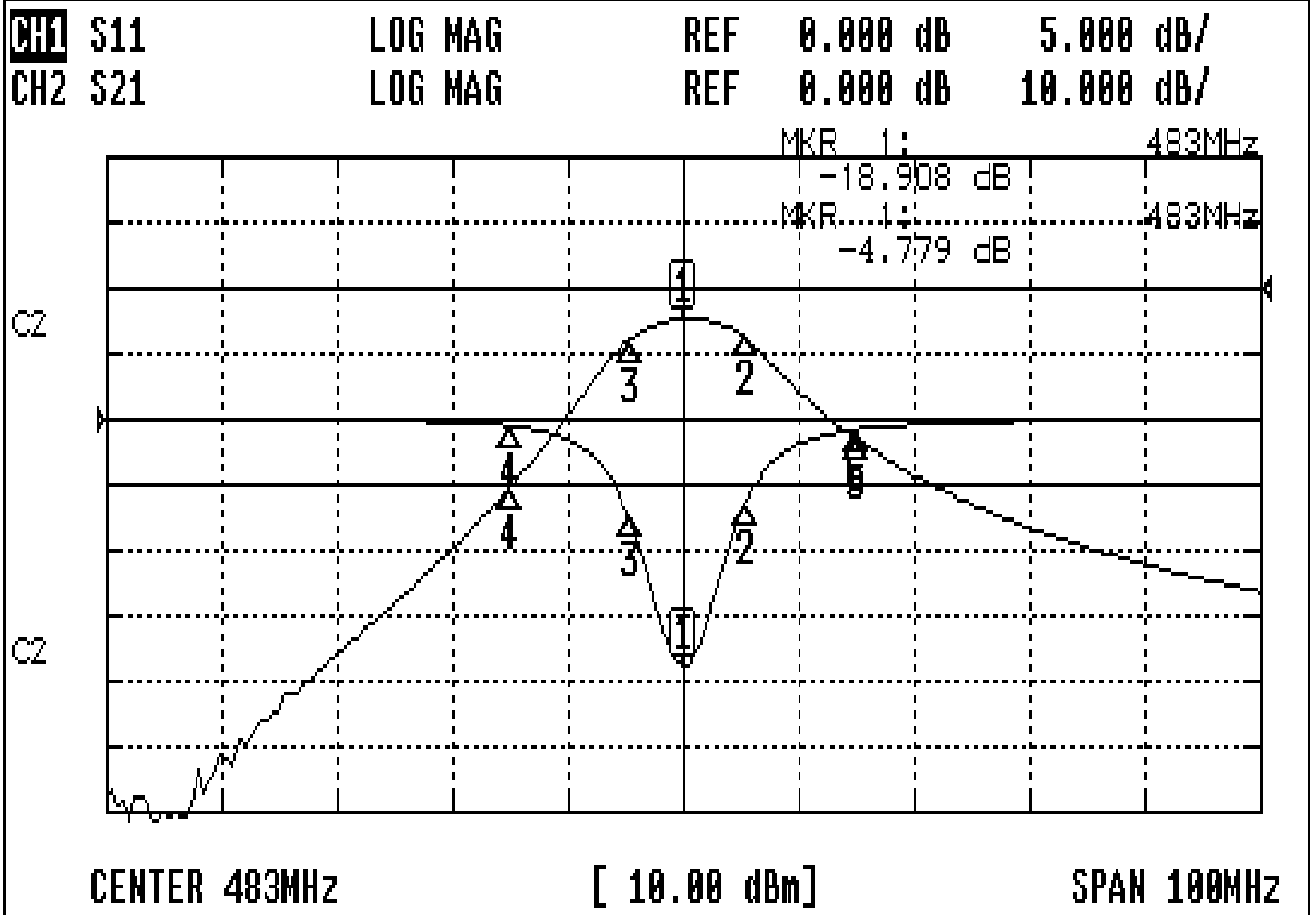
TEMWELL CORPORATION

TEMWELL

Form10-7H3F Vision D RP(J.F.Lin)

Performance-TTL63158F-483M

0701079DC



CH1 MARKER LIST

1:	483.000MHz	-18.925 dB
2:	488.416MHz	-6.356 dB
3:	478.333MHz	-7.418 dB
4:	468.000MHz	-0.522 dB
5:	498.000MHz	-0.766 dB

CH2 MARKER LIST

1:	483.000MHz	-4.779 dB
2:	488.416MHz	-7.802 dB
3:	478.333MHz	-7.785 dB
4:	468.000MHz	-30.424 dB
5:	498.000MHz	-23.018 dB