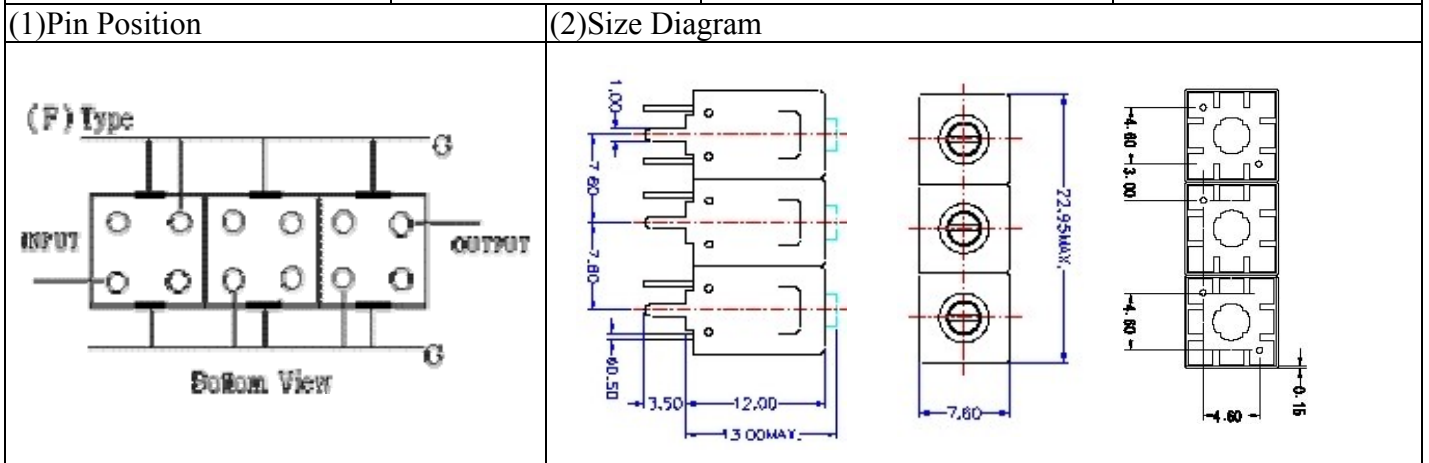


# VHF UHF Helical Filter Specification Sheet

Customer Name		Temwell's Part No.	TTL63156F-467M
Approval No. /dated	0701077APR	Acceptable Specify Fo Range.	456~515MHz
Work Instruction No.	0701077DC	Date	Jan.31.2007



(3) Electric Chararestic

Item	Specify	Performance
Center Freq.(Fo) +/- 0.5 %	467 MHz	467 MHz
Tunable Range:	467±5 MHz	467±5 MHz
Insertion Loss	Typ. 5.0 dB	4.07 dB
-3 dB Bandwidth	Typ. 8 MHz	10.7 MHz
Sensitivity (Attenuation)	Fo - 15 MHz	Typ. 30 dB
	Fo + 15 MHz	Typ. 22 dB
	Fo - ( )MHz	Typ. dB
	Fo + ( )MHz	Typ. dB
Return Loss	Min. 12 dB	28.1 dB
Ripple	< 1 dB	dB
Impedance	In / Out : 75 Ω	In / Out : 75 Ω

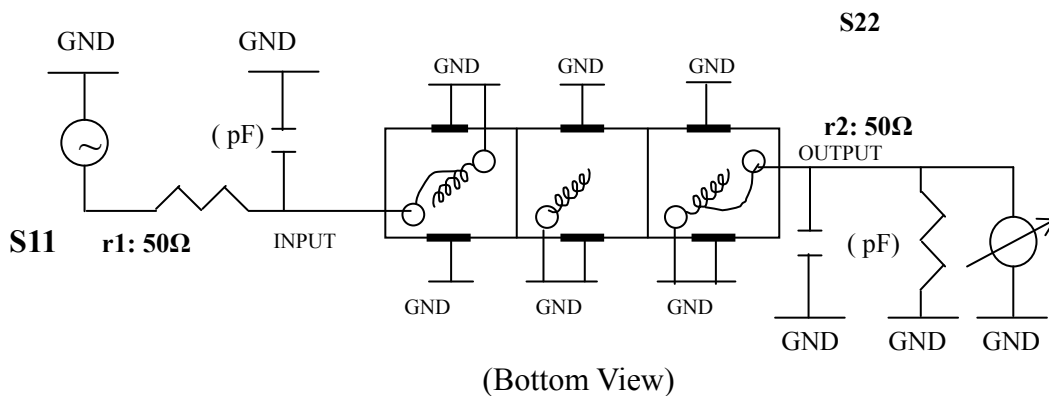
(4) Torque for Tuning Screw > 60gf · cm

(5) Temperature Condition:

Operating Temperature	0°C ~ +60°C
Storage Temperature	20°C ~ +70°C

(6) Input Power > 1 Watt

(7) Measuring Circuit: ※Easy to match Impedance S11/S22 75Ω by parallel with about( pF) / ( pF).



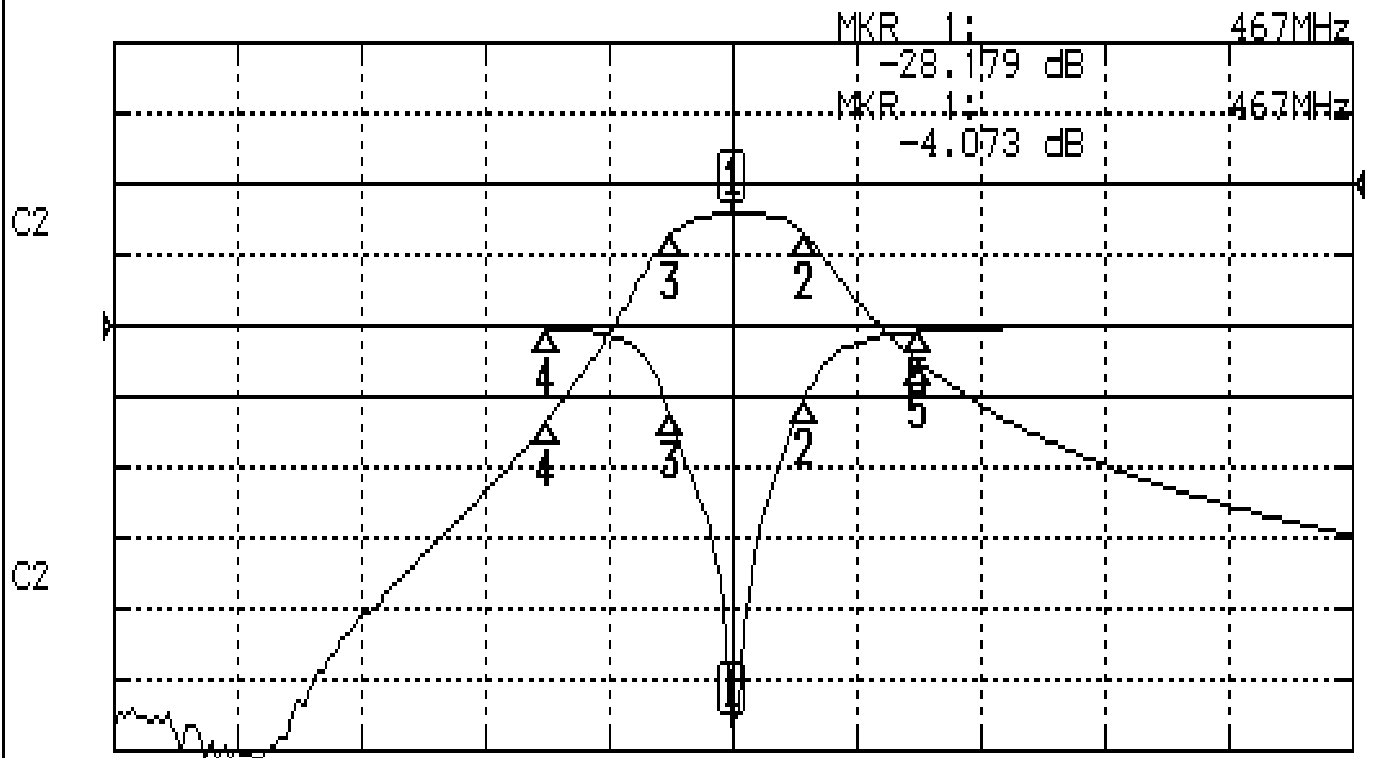
Approval	Supervisor	Designer	Aperture size
C.Y.Chang	C.S.Chang	J.F.Lin	7H3(4*5.5F) 7H046LB4 聚 3

TEMWELL CORPORATION

# Performance-TTL63156F-467M

## 0701077DC

CH1 S11 LOG MAG REF 0.000 dB 5.000 dB/  
CH2 S21 LOG MAG REF 0.000 dB 10.000 dB/



CENTER 467MHz

[ 10.00 dBm ]

SPAN 100MHz

### CH1 MARKER LIST

1:	467.000MHz	-28.107	dB
2:	472.750MHz	-5.329	dB
3:	462.000MHz	-6.259	dB
4:	452.000MHz	-0.152	dB
5:	482.000MHz	-0.405	dB

### CH2 MARKER LIST

1:	467.000MHz	-4.073	dB
2:	472.750MHz	-7.026	dB
3:	462.000MHz	-7.081	dB
4:	452.000MHz	-33.642	dB
5:	482.000MHz	-25.107	dB