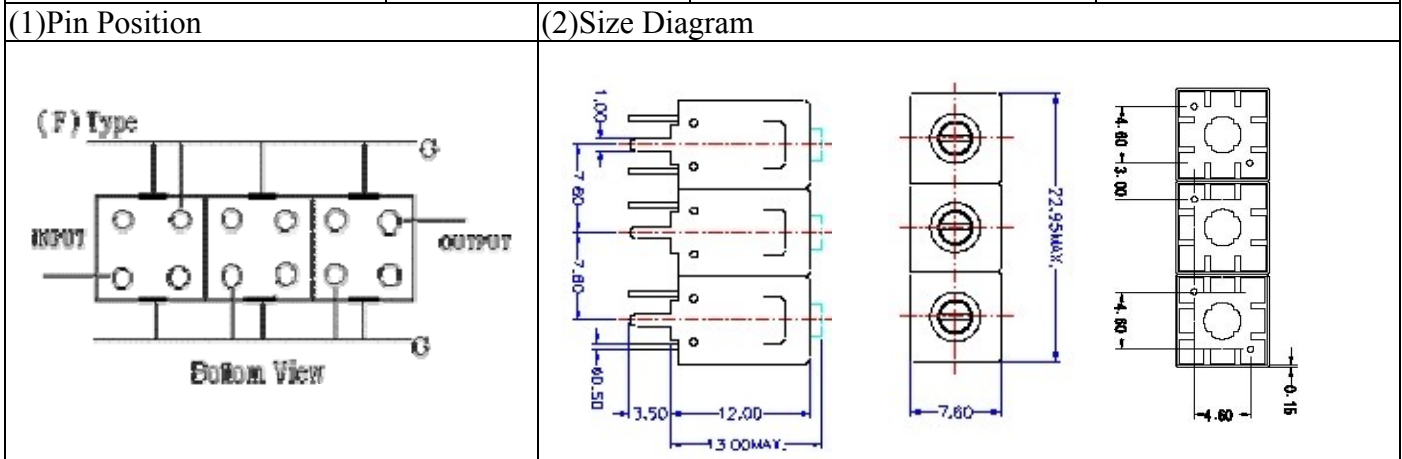


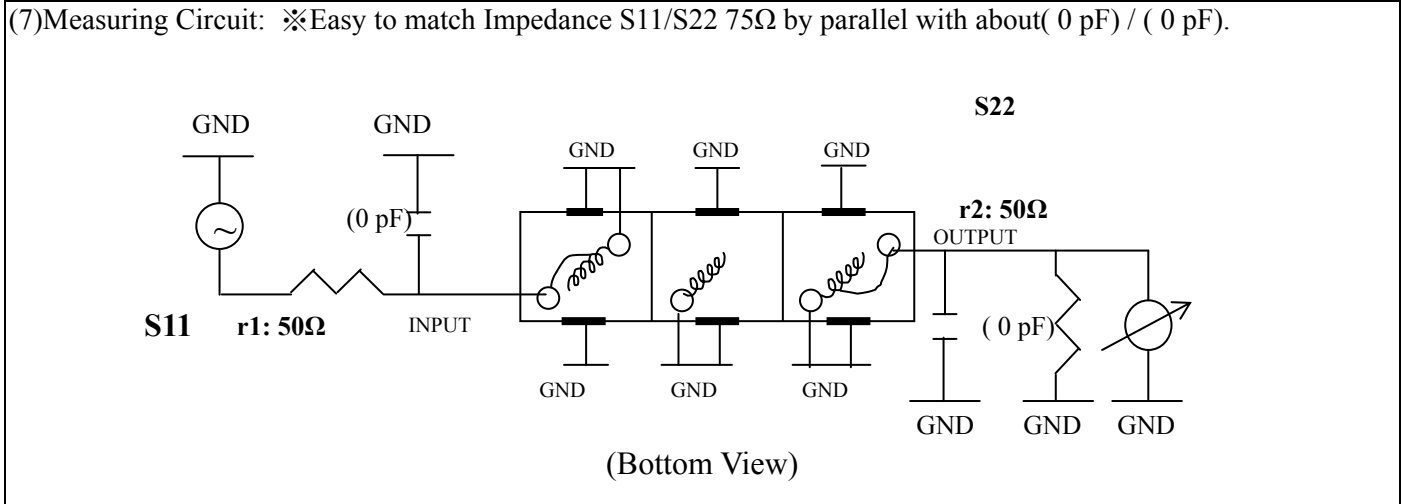
VHF UHF Helical Filter Specification Sheet

Customer Name		Temwell's Part No.	TTL63151F-427M
Approval No. /dated	0701072APR	Acceptable Specify Fo Range.	401~455MHz
Work Instruction No.	0701072DC	Date	Feb.05.2007



(3) Electric Charasteric			
Item		Specify	Performance
Center Freq.(Fo) +/- 0.5 %		427 MHz	427 MHz
Tunable Range:		427±5 MHz	427±5 MHz
Insertion Loss		Typ. 4.0 dB	3.21 dB
-3 dB Bandwidth		Typ. 8 MHz	10.3 MHz
Sensitivity (Attenuation)	Fo - 15 MHz	Typ. 30 dB	33 dB
	Fo + 15 MHz	Typ. 22 dB	25 dB
	Fo - ()MHz	Typ. dB	dB
	Fo +()MHz	Typ. dB	dB
Return Loss		Min. 12 dB	20.1 dB
Ripple		< 1 dB	dB
Impedance		In / Out : 75 Ω	In / Out : 75 Ω
(4) Torque for Tuning Screw		> 100gf • cm	

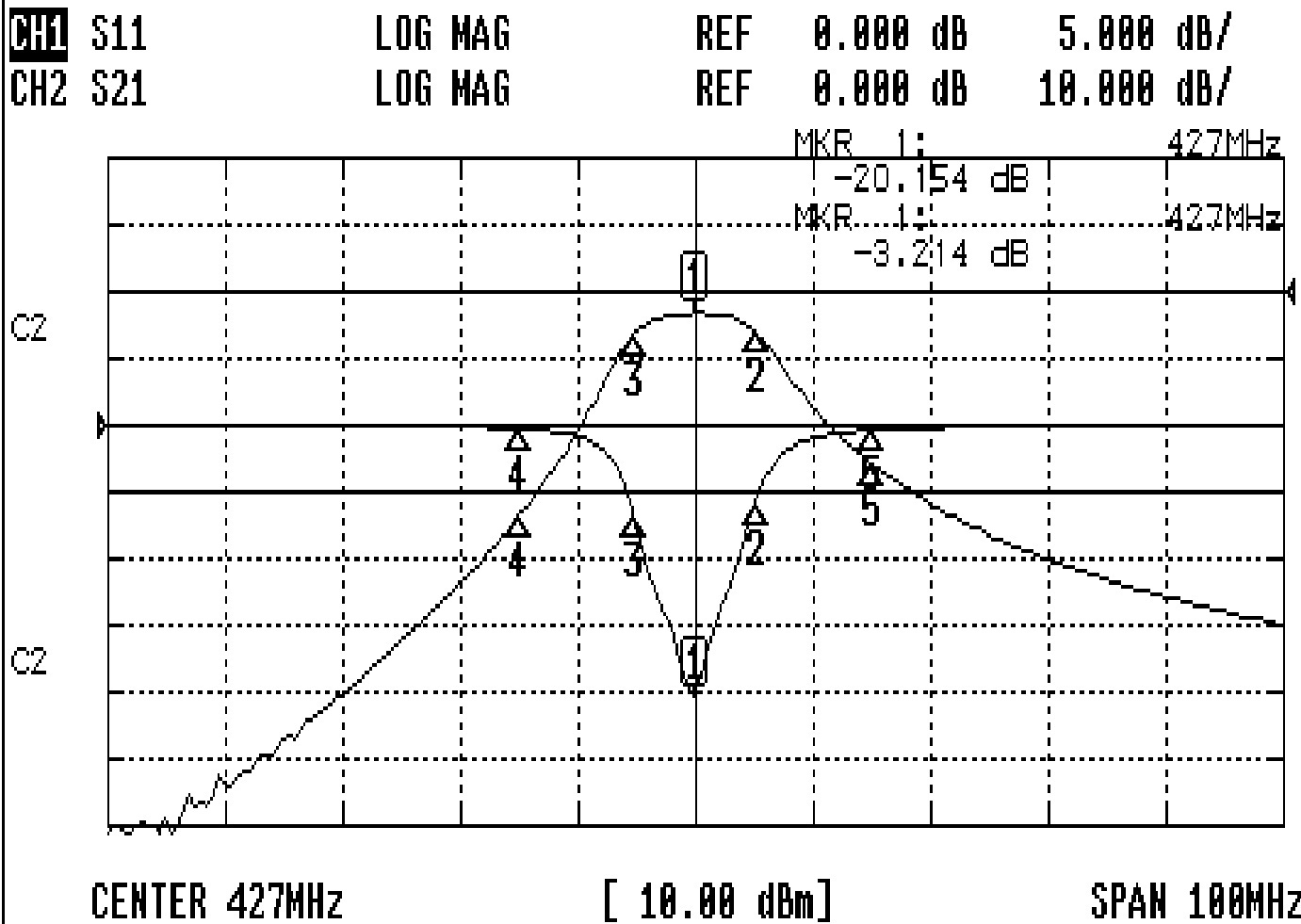
(5) Temperature Condition:	
Operating Temperature	0°C ~ +60°C
Storage Temperature	20°C ~ +70°C
(6) Input Power	> 1Watt



Approval	Supervisor	Designer	Aperture size
C.Y.Chang	C.S.Chang	P.H.Chiang	7H3S(4*5.5)F 7H046LB4 聚 3
TEMWELL		CORPORATION	

Performance-TTL63151F-427M

0701072DC



CH1 MARKER LIST

1:	427.000MHz	-20.154 dB
2:	432.166MHz	-5.626 dB
3:	421.833MHz	-6.838 dB
4:	412.000MHz	-0.241 dB
5:	442.000MHz	-0.352 dB

CH2 MARKER LIST

1:	427.000MHz	-3.214 dB
2:	432.166MHz	-16.220 dB
3:	421.833MHz	-16.229 dB
4:	412.000MHz	-33.747 dB
5:	442.000MHz	-25.780 dB