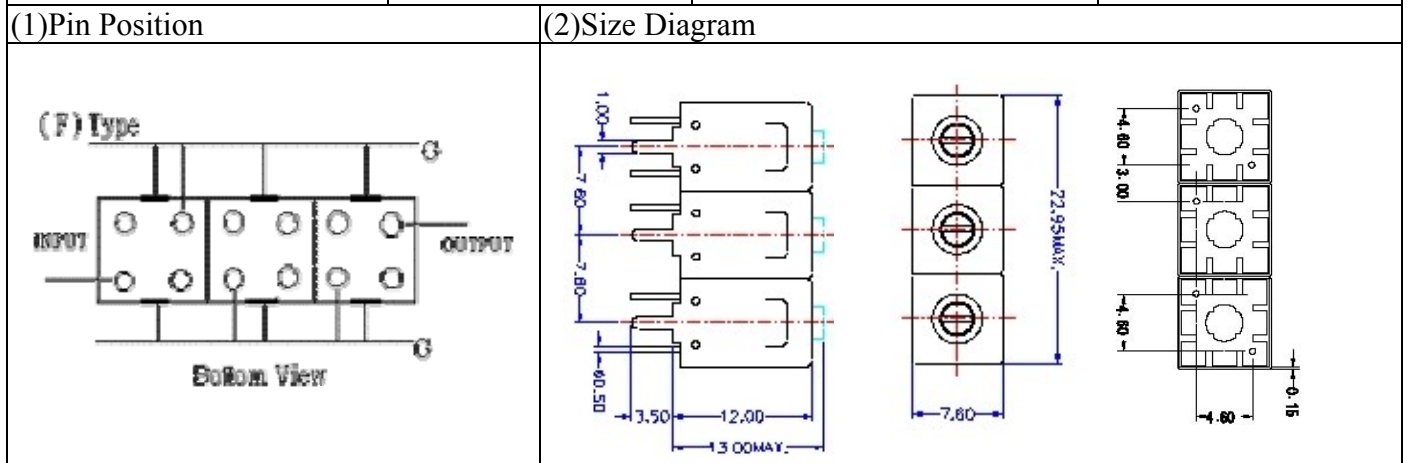


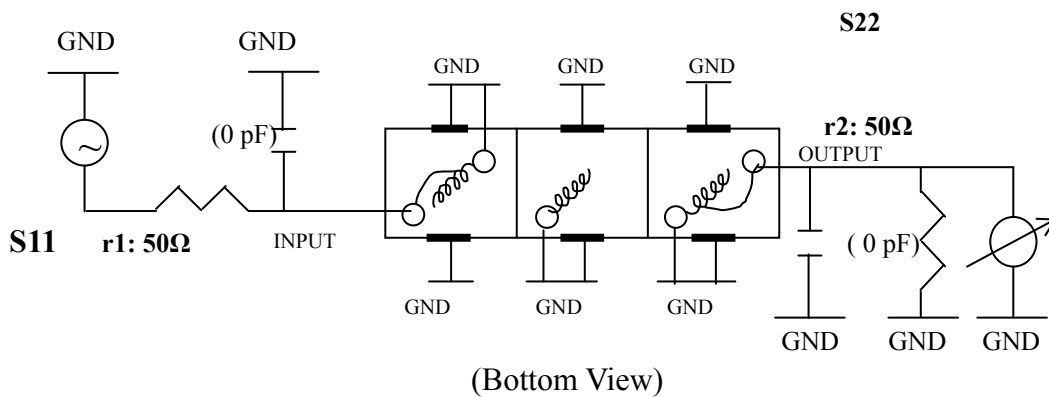
VHF UHF Helical Filter Specification Sheet

Customer Name		Temwell's Part No.	TTL63147F-395M
Approval No. /dated	0701068APR	Acceptable Specify Fo Range.	356~400MHz
Work Instruction No.	0701068DC	Date	Jan.31.2007



Item		Specify	Performance
Center Freq.(Fo) +/- 0.5 %		395 MHz	395 MHz
Tunable Range:		395±4 MHz	395±4 MHz
Insertion Loss		Typ. 4.0 dB	3.09 dB
-3 dB Bandwidth		Typ. 8 MHz	9.9 MHz
Sensitivity (Attenuation)	Fo - 15 MHz	Typ. 29 dB	32 dB
	Fo + 15 MHz	Typ. 21 dB	24 dB
	Fo - ()MHz	Typ. dB	dB
	Fo +()MHz	Typ. dB	dB
Return Loss		Min. 12 dB	21.8 dB
Ripple		< 1 dB	dB
Impedance		In / Out : 75 Ω	In / Out : 75 Ω
(4) Torque for Tuning Screw		> 100gf · cm	
(5) Temperature Condition:			
Operating Temperature		0°C ~ +60°C	
Storage Temperature		-20°C ~ +70°C	
(6) Input Power		> 1Watt	

(7) Measuring Circuit: ※Easy to match Impedance S11/S22 75Ω by parallel with about(0 pF) / (0 pF).

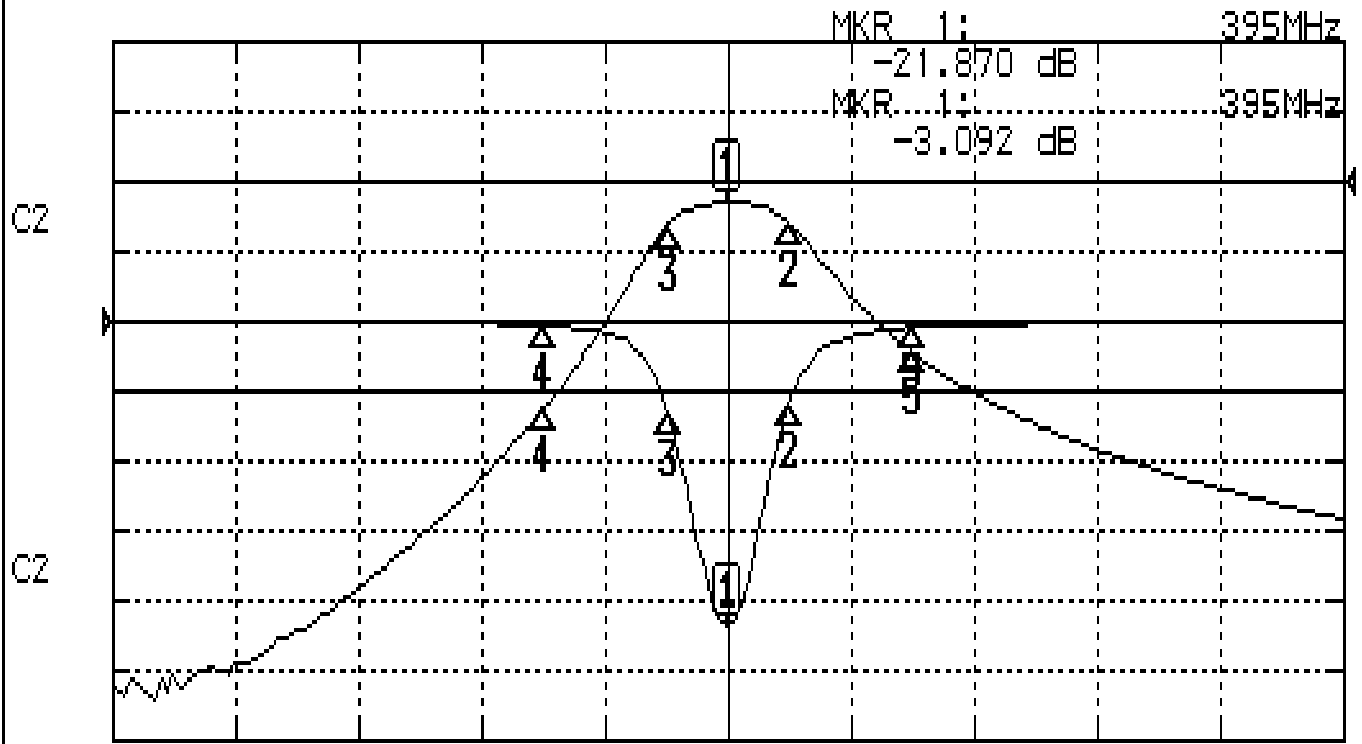


Approval	Supervisor	Designer	Aperture size
C.Y.Chang	C.S.Chang	P.H.Chiang	7H3S(4*5.5)F 7H046LB4 聚 3
TEMWELL CORPORATION			

Performance-TTL63147F-395M

0701068DC

CH1 S11 LOG MAG REF 0.000 dB 5.000 dB/
CH2 S21 LOG MAG REF 0.000 dB 10.000 dB/



CENTER 395MHz

[10.00 dBm]

SPAN 100MHz

CH1 MARKER LIST

Marker	Frequency (MHz)	Magnitude (dB)
1	395.000	-21.870
2	400.000	-0.000
3	390.166	-0.000
4	380.000	-0.272
5	410.000	-0.407

CH2 MARKER LIST

Marker	Frequency (MHz)	Magnitude (dB)
1	395.000	-3.092
2	400.000	-0.000
3	390.166	-6.104
4	380.000	-2.596
5	410.000	-24.366