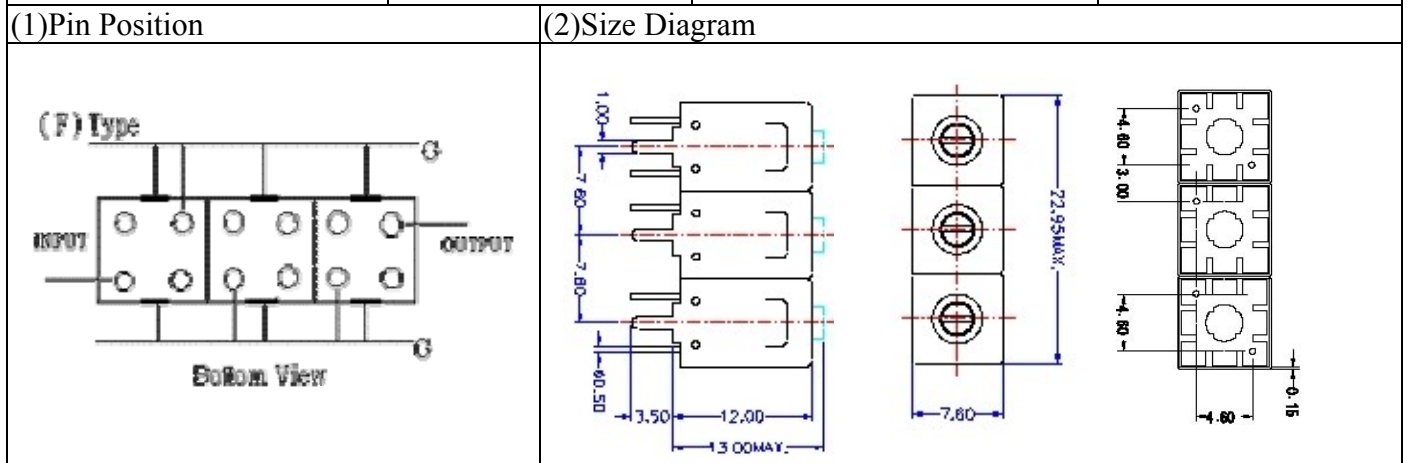


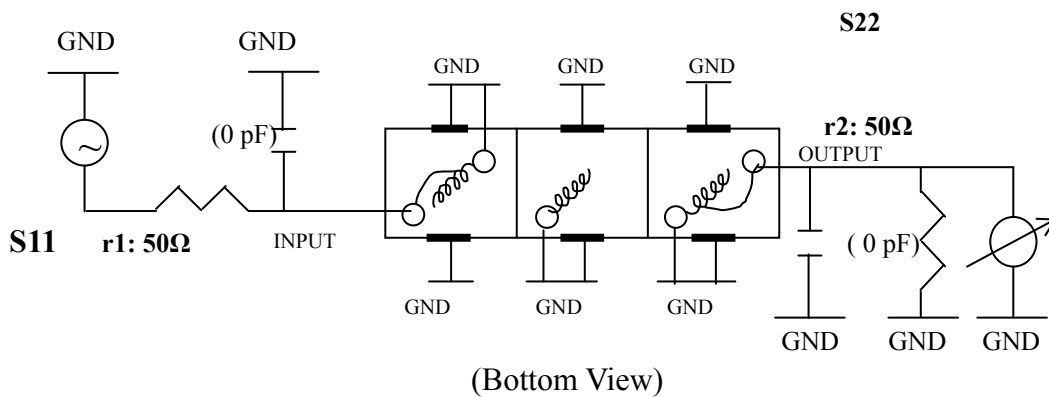
# VHF UHF Helical Filter Specification Sheet

Customer Name		Temwell's Part No.	TTL63144F-371M
Approval No. /dated	0701065APR	Acceptable Specify Fo Range.	356~400MHz
Work Instruction No.	0701065DC	Date	Jan.30.2007



Item		Specify	Performance
Center Freq.(Fo) +/- 0.5 %		371 MHz	371 MHz
Tunable Range:		371±4 MHz	371±4 MHz
Insertion Loss		Typ. 4.0 dB	3.31 dB
-3 dB Bandwidth		Typ. 8 MHz	9.6 MHz
Sensitivity (Attenuation)	Fo - 15 MHz	Typ. 29 dB	32 dB
	Fo + 15 MHz	Typ. 20 dB	23 dB
	Fo - ( )MHz	Typ. dB	dB
	Fo +( )MHz	Typ. dB	dB
Return Loss		Min. 12 dB	19.6 dB
Ripple		< 1 dB	dB
Impedance		In / Out : 75 Ω	In / Out : 75 Ω
(4) Torque for Tuning Screw		> 100gf · cm	
(5) Temperature Condition:			
Operating Temperature		0°C ~ +60°C	
Storage Temperature		20°C ~ +70°C	
(6) Input Power		> 1Watt	

(7) Measuring Circuit: ※Easy to match Impedance S11/S22 75Ω by parallel with about( 0 pF) / ( 0 pF).



Approval	Supervisor	Designer	Aperture size
C.Y.Chang	C.S.Chang	P.H.Chiang	7H3S(4*5.5)F 7H046LB4 聚 3

TEMWELL CORPORATION

