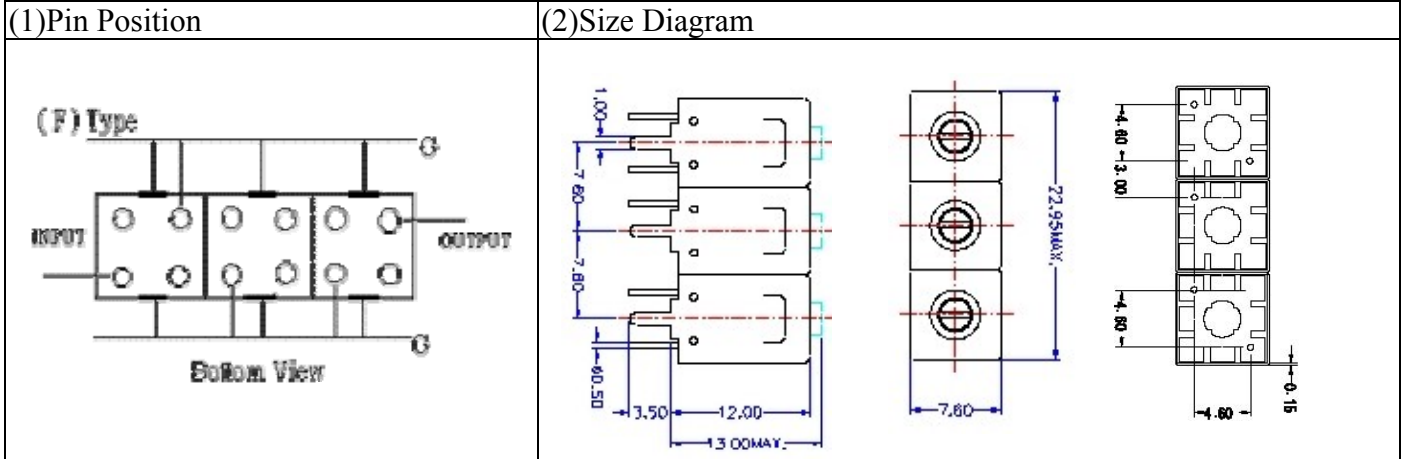


VHF UHF Helical Filter Specification Sheet

Customer Name		Temwell's Part No.	TTL63143F-363M
Approval No. /dated	0701064APR	Acceptable Specify Fo Range.	356~400MHz
Work Instruction No.	0701064DC	Date	Jan.30.2007



(3) Electric Chararistic

Item	Specify	Performance	
Center Freq.(Fo) +/- 0.5 %	363 MHz	363 MHz	
Tunable Range:	363±4 MHz	363±4 MHz	
Insertion Loss	Typ. 4.0 dB	3.28 dB	
-3 dB Bandwidth	Typ. 8 MHz	9.6 MHz	
Sensitivity (Attenuation)	Fo - 15 MHz	Typ. 33 dB	36 dB
	Fo + 15 MHz	Typ. 24 dB	27 dB
	Fo - ()MHz	Typ. dB	dB
	Fo +()MHz	Typ. dB	dB
Return Loss	Min. 12 dB	24.0 dB	
Ripple	< 1 dB	dB	
Impedance	In / Out : 75 Ω	In / Out : 75 Ω	

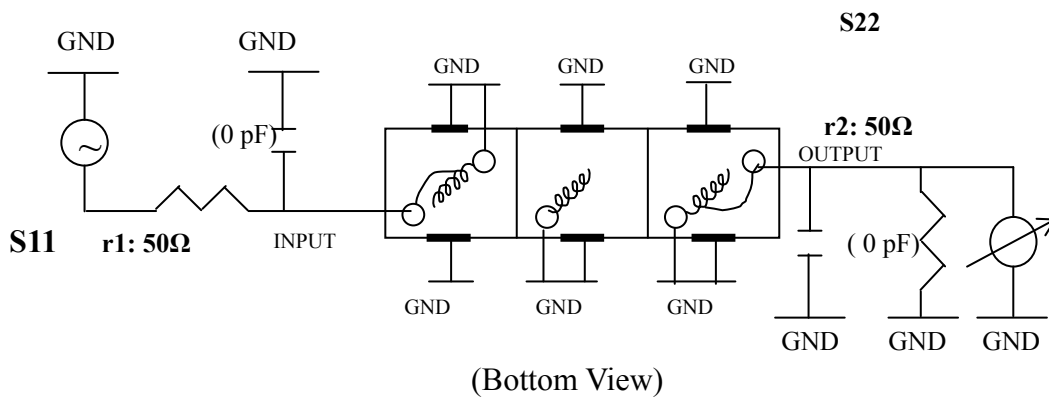
(4) Torque for Tuning Screw > 100gf · cm

(5) Temperature Condition:

Operating Temperature	0°C ~ +60°C
Storage Temperature	20°C ~ +70°C

(6) Input Power > 1Watt

(7) Measuring Circuit: ※Easy to match Impedance S11/S22 75Ω by parallel with about(0 pF) / (0 pF).

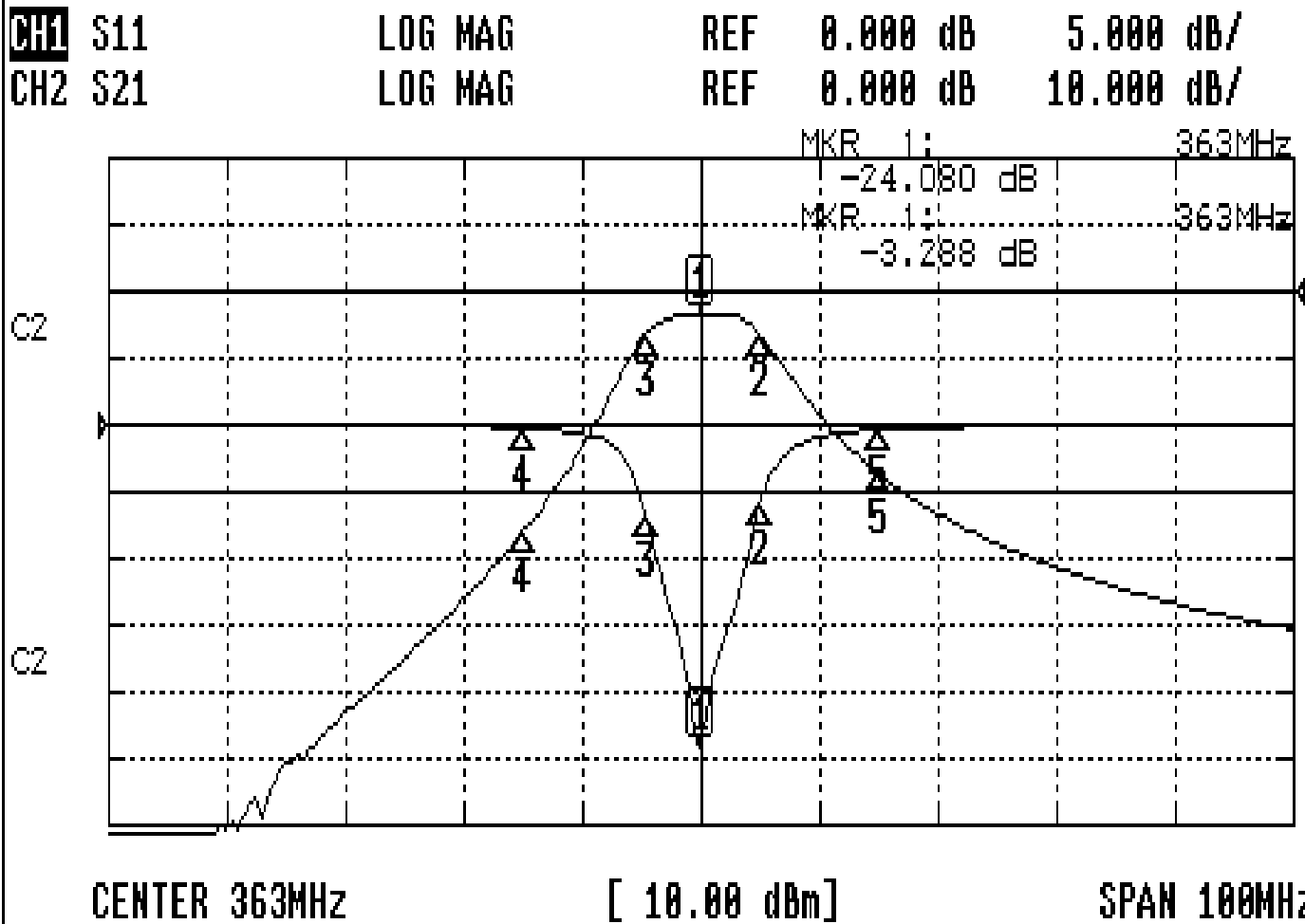


Approval	Supervisor	Designer	Aperture size
C.Y.Chang	C.S.Chang	P.H.Chiang	7H3S(4*5.5)F 7H046LB4 聚 3

TEMWELL CORPORATION

Performance-TTL63143F-363M

0701064DC



CH1 MARKER LIST

Marker	Frequency (MHz)	Magnitude (dB)
1	363.000	-24.058
2	368.000	-5.987
3	358.416	-6.733
4	348.000	-0.220
5	378.000	-0.343

CH2 MARKER LIST

Marker	Frequency (MHz)	Magnitude (dB)
1	363.000	-3.288
2	368.000	-6.278
3	358.416	-6.252
4	348.000	-36.059
5	378.000	-27.234