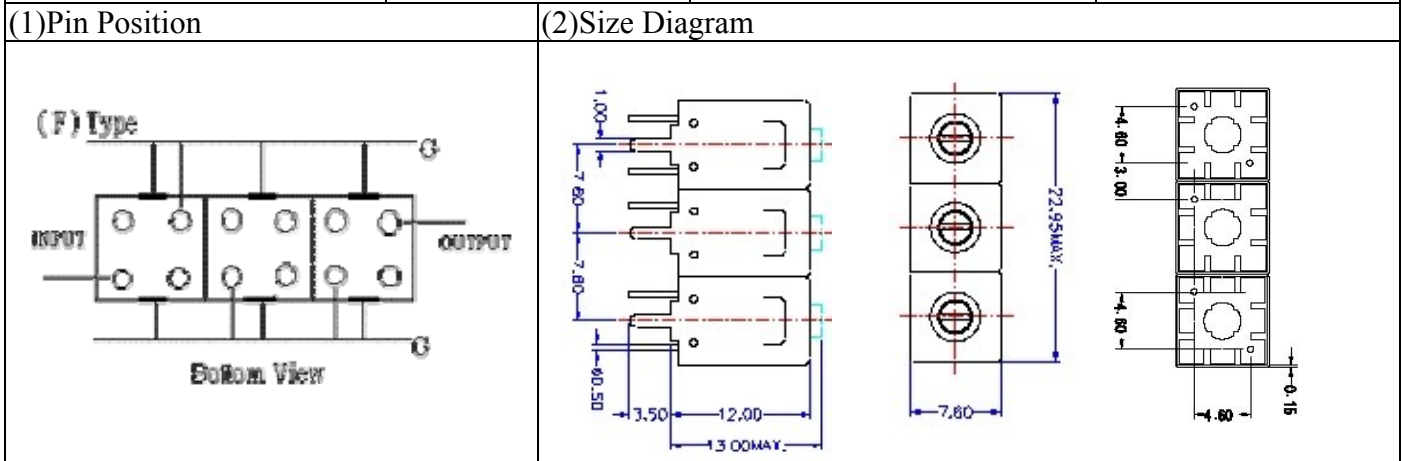


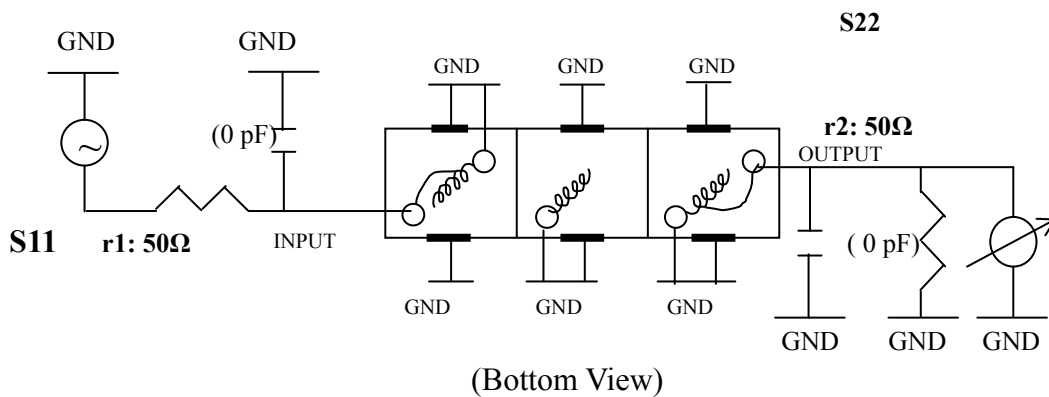
# VHF UHF Helical Filter Specification Sheet

Customer Name		Temwell's Part No.	TTL63142F-355M
Approval No. /dated	0701063APR	Acceptable Specify Fo Range.	311~355MHz
Work Instruction No.	0701063DC	Date	Jan.29.2007



(3) Electric Chararistic		Item	Specify	Performance
Center Freq.(Fo) +/- 0.5 %			355 MHz	355 MHz
Tunable Range:			355±4 MHz	355±4 MHz
Insertion Loss		Typ.	4.0 dB	3.45 dB
-3 dB Bandwidth		Typ.	8 MHz	9.7 MHz
Sensitivity (Attenuation)	Fo - 15 MHz	Typ.	33 dB	36 dB
	Fo + 15 MHz	Typ.	24 dB	27 dB
	Fo - ( )MHz	Typ.	dB	dB
	Fo +( )MHz	Typ.	dB	dB
Return Loss		Min.	12 dB	25.7 dB
Ripple			< 1 dB	dB
Impedance			In / Out : 75 Ω	In / Out : 75 Ω
(4) Torque for Tuning Screw			> 100gf · cm	
(5) Temperature Condition:				
Operating Temperature			0°C ~ +60°C	
Storage Temperature			20°C ~ +70°C	
(6) Input Power			> 1Watt	

(7) Measuring Circuit: ※Easy to match Impedance S11/S22 75Ω by parallel with about( 0 pF) / ( 0 pF).



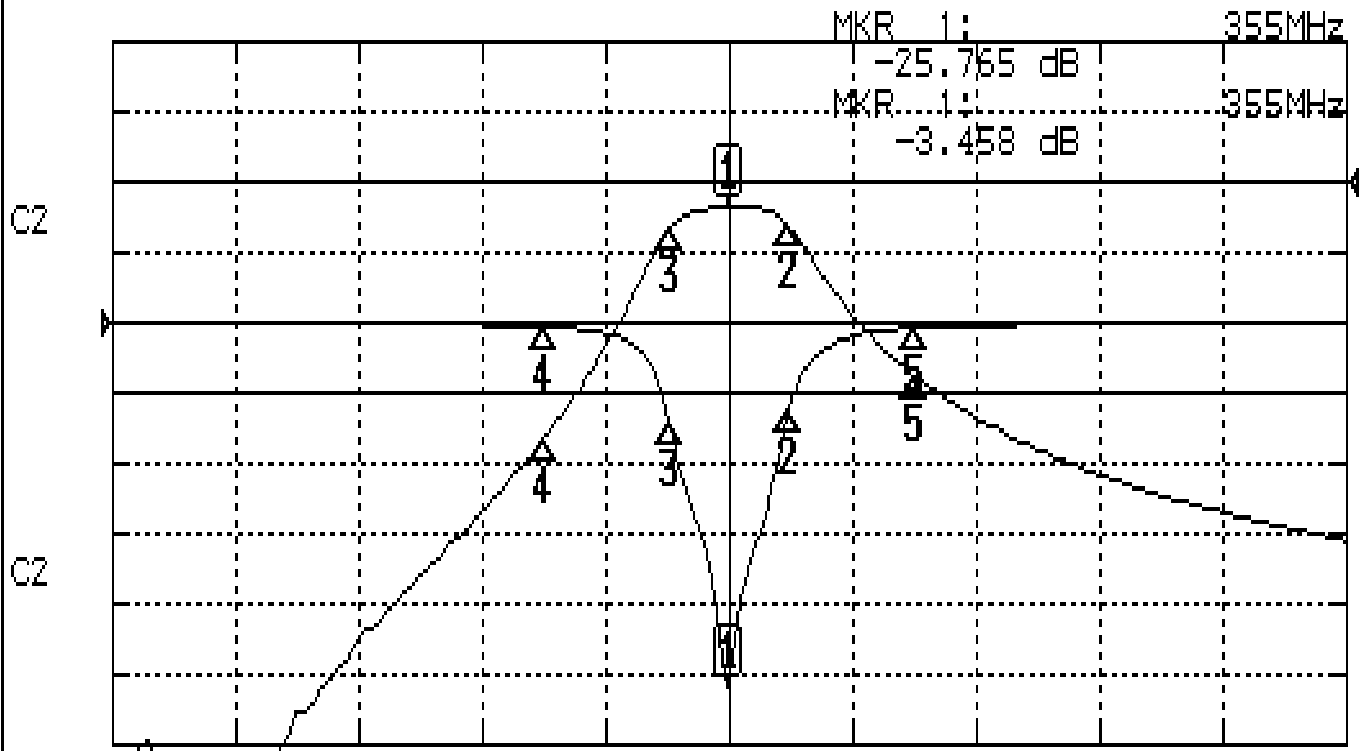
Approval	Supervisor	Designer	Aperture size
C.Y.Chang	C.S.Chang	P.H.Chiang	7H3S(4*5.5)F 7H046LB4 聚 3

TEMWELL CORPORATION

# Performance-TTL63142F-355M

## 0701063DC

**CH1** S11                      LOG MAG                      REF 0.000 dB                      5.000 dB/  
**CH2** S21                      LOG MAG                      REF 0.000 dB                      10.000 dB/



CENTER 355MHz

[ 10.00 dBm ]

SPAN 100MHz

### CH1 MARKER LIST

1	355.000MHz	-25.795	dB
2	359.916MHz	-6.260	dB
3	350.250MHz	-7.248	dB
4	340.000MHz	-0.272	dB
5	370.000MHz	-0.362	dB

### CH2 MARKER LIST

1	355.000MHz	-3.458	dB
2	359.916MHz	-6.478	dB
3	350.250MHz	-6.487	dB
4	340.000MHz	-36.475	dB
5	370.000MHz	-27.519	dB