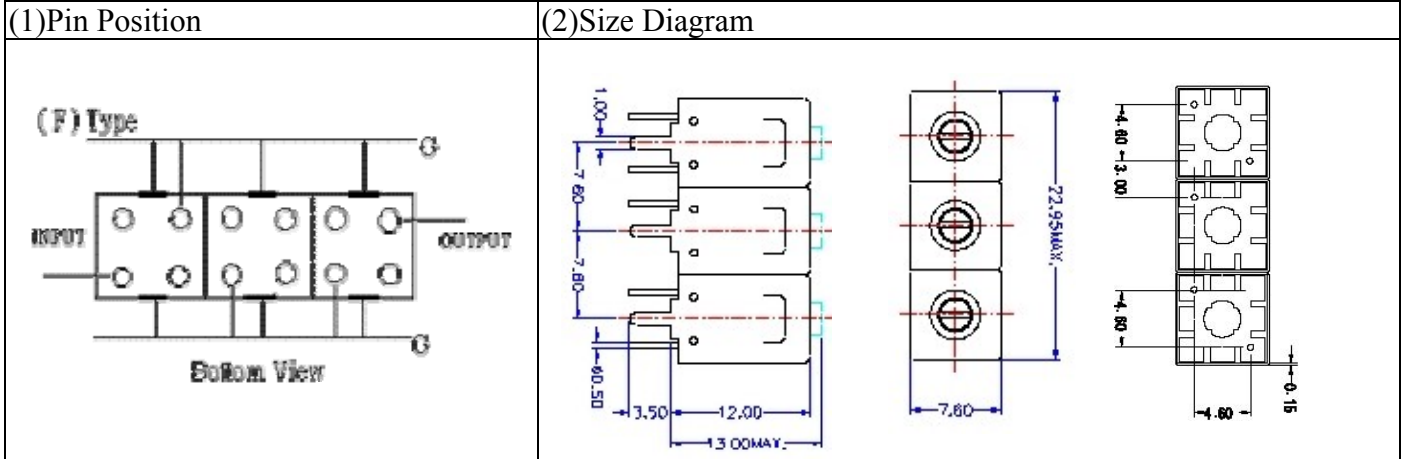


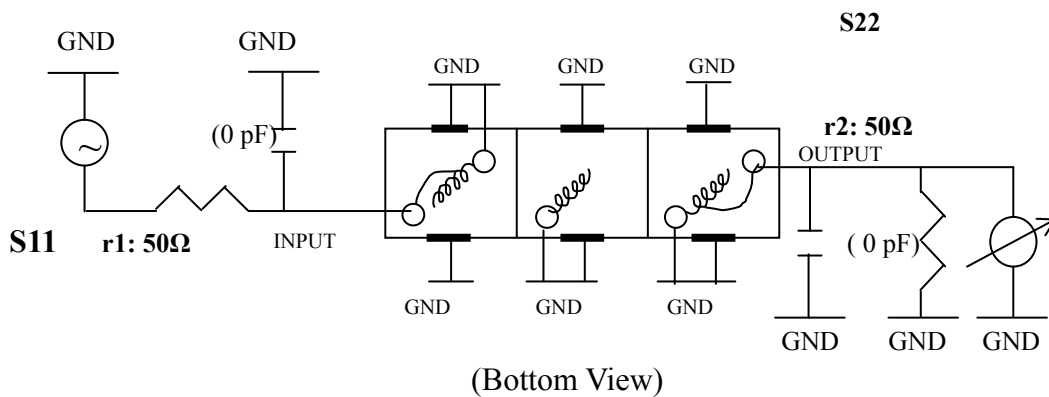
# VHF UHF Helical Filter Specification Sheet

Customer Name		Temwell's Part No.	TTL63141F-347M
Approval No. /dated	0701062APR	Acceptable Specify Fo Range.	311~355MHz
Work Instruction No.	0701062DC	Date	Jan.29.2007



(3) Electric Character			
Item	Specify	Performance	
Center Freq.(Fo) +/- 0.5 %	347 MHz	347 MHz	
Tunable Range:	347±4 MHz	347±4 MHz	
Insertion Loss	Typ. 4.0 dB	3.57 dB	
-3 dB Bandwidth	Typ. 8 MHz	10 MHz	
Sensitivity (Attenuation)	Fo - 15 MHz	Typ. 31 dB	34 dB
	Fo + 15 MHz	Typ. 24 dB	27 dB
	Fo - ( )MHz	Typ. dB	dB
	Fo +( )MHz	Typ. dB	dB
Return Loss	Min. 12 dB	41.5 dB	
Ripple	< 1 dB	dB	
Impedance	In / Out : 75 Ω	In / Out : 75 Ω	
(4) Torque for Tuning Screw			
> 100gf · cm			
(5) Temperature Condition:			
Operating Temperature	0°C ~ +60°C		
Storage Temperature	20°C ~ +70°C		
(6) Input Power			
> 1Watt			

(7) Measuring Circuit: ※Easy to match Impedance S11/S22 75Ω by parallel with about( 0 pF) / ( 0 pF).

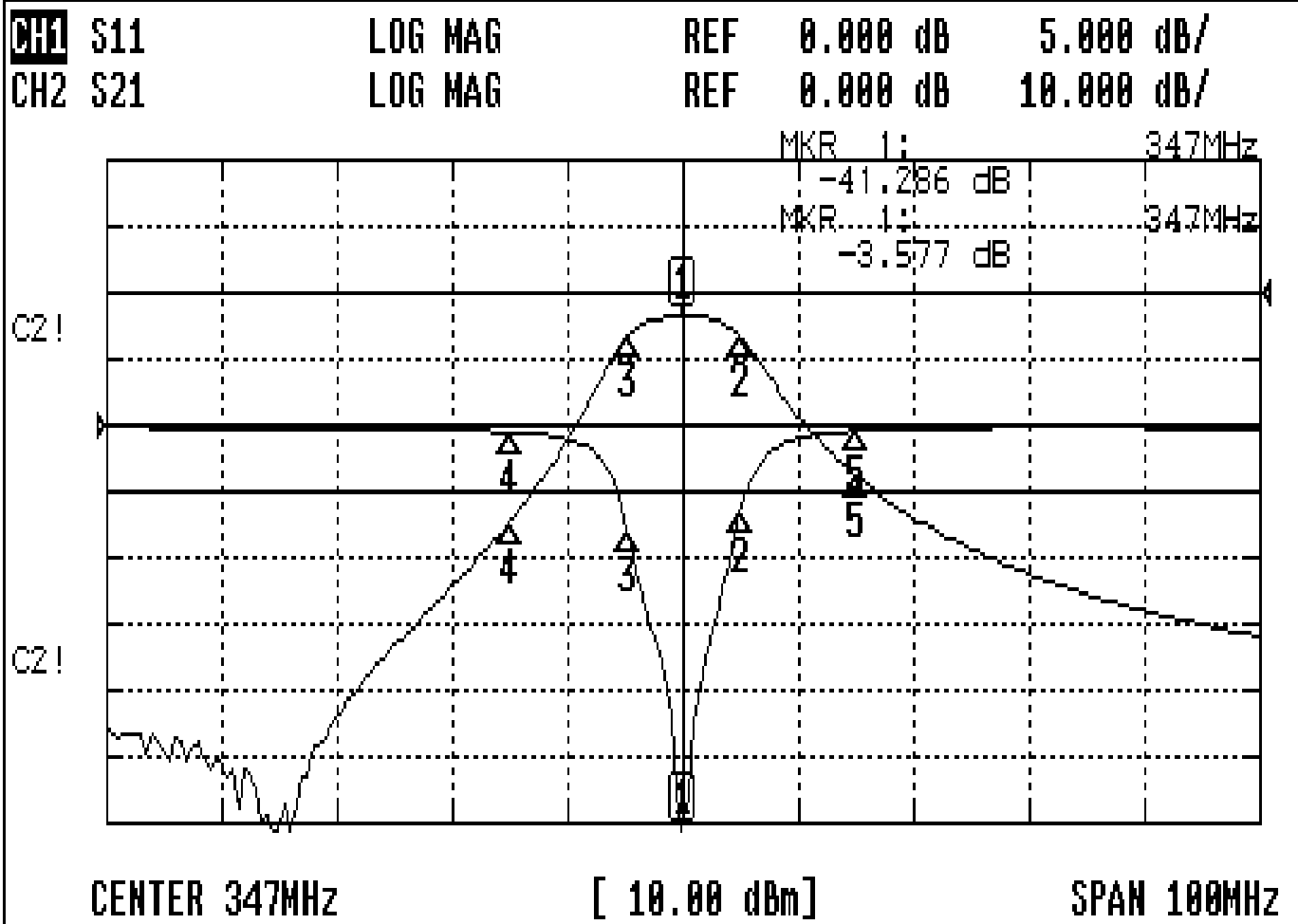


Approval	Supervisor	Designer	Aperture size
C.Y.Chang	C.S.Chang	P.H.Chiang	7H3S(4*5.5)F 7H046LB4 聚 3

TEMWELL CORPORATION

# Performance-TTL63141F-347M

## 0701062DC



### CH1 MARKER LIST

1:	347.000MHz	-41.557	dB	
2:	352.000MHz	-16.494	dB	
3:	342.250MHz	-7.908	dB	
4:	332.000MHz	-10.490	dB	
5:	362.000MHz	-0.392	dB	

### CH2 MARKER LIST

1:	347.000MHz	-3.577	dB	
2:	352.000MHz	-11.110	dB	
3:	342.250MHz	-11.110	dB	
4:	332.000MHz	-14.630	dB	
5:	362.000MHz	-27.569	dB	