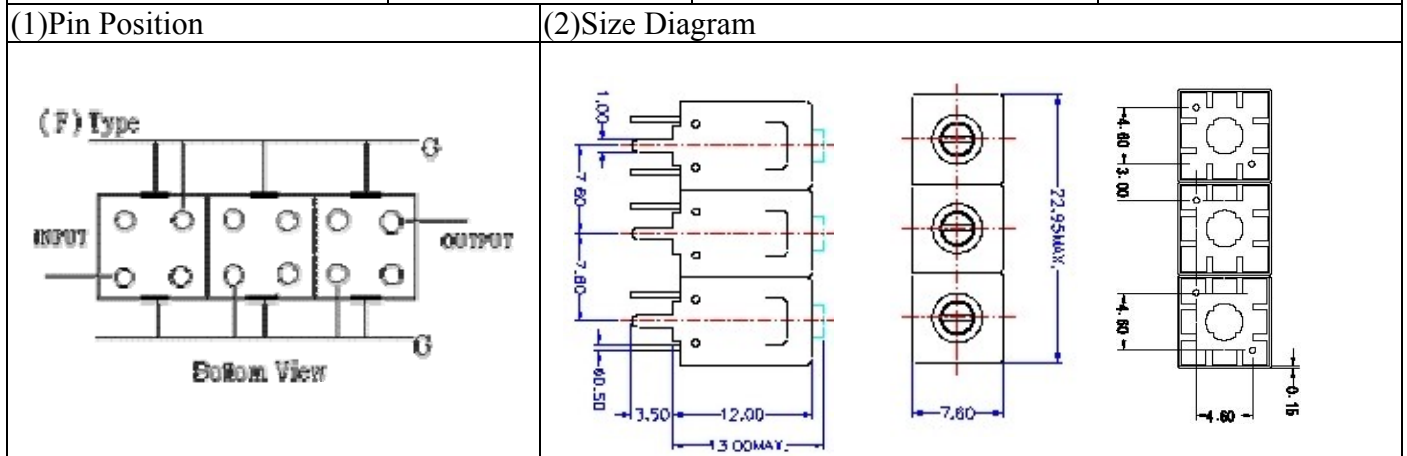


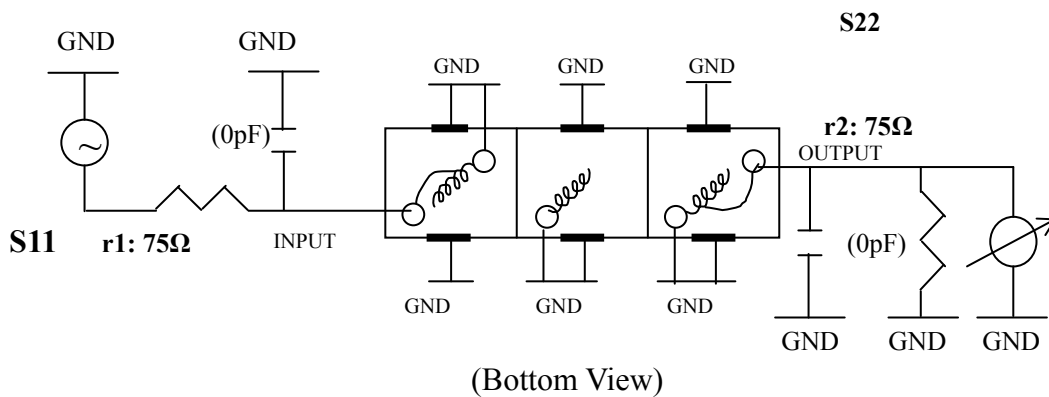
VHF UHF Helical Filter Specification Sheet

Customer Name		Temwell's Part No.	TTL63138F-323M
Approval No. /dated	0701059APR	Acceptable Specify Fo Range	311~355 MHz
Work Instruction No.	0701059DC	Date	Jan.27.2007



(3) Electric Character			
Item		Specify	Performance
Center Freq.(Fo) +/- 0.5 %		323 MHz	323 MHz
Tunable Range:		323±4 MHz	323±4 MHz
Insertion Loss		Typ. 4.5 dB	3.58 dB
-3 dB Bandwidth		Typ. 8 MHz	9.4 MHz
Sensitivity (Attenuation)	Fo - 20 MHz	Typ. 33 dB	36 dB
	Fo + 20 MHz	Typ. 29 dB	32 dB
	Fo - ()MHz	Typ. dB	dB
	Fo +()MHz	Typ. dB	dB
Return Loss		Min. 12 dB	30.1 dB
Ripple		< 1 dB	dB
Impedance		In / Out : 75 Ω	In / Out : 75 Ω
(4) Torque for Tuning Screw			
		> 100gf • cm	
(5) Temperature Condition:			
Operating Temperature		0°C ~ +60°C	
Storage Temperature		20°C ~ +70°C	
(6) Input Power			
		> 1Watt	

(7) Measuring Circuit: ※Easy to match Impedance S11/S22 75Ω by parallel with about(0 pF) / (0 pF).

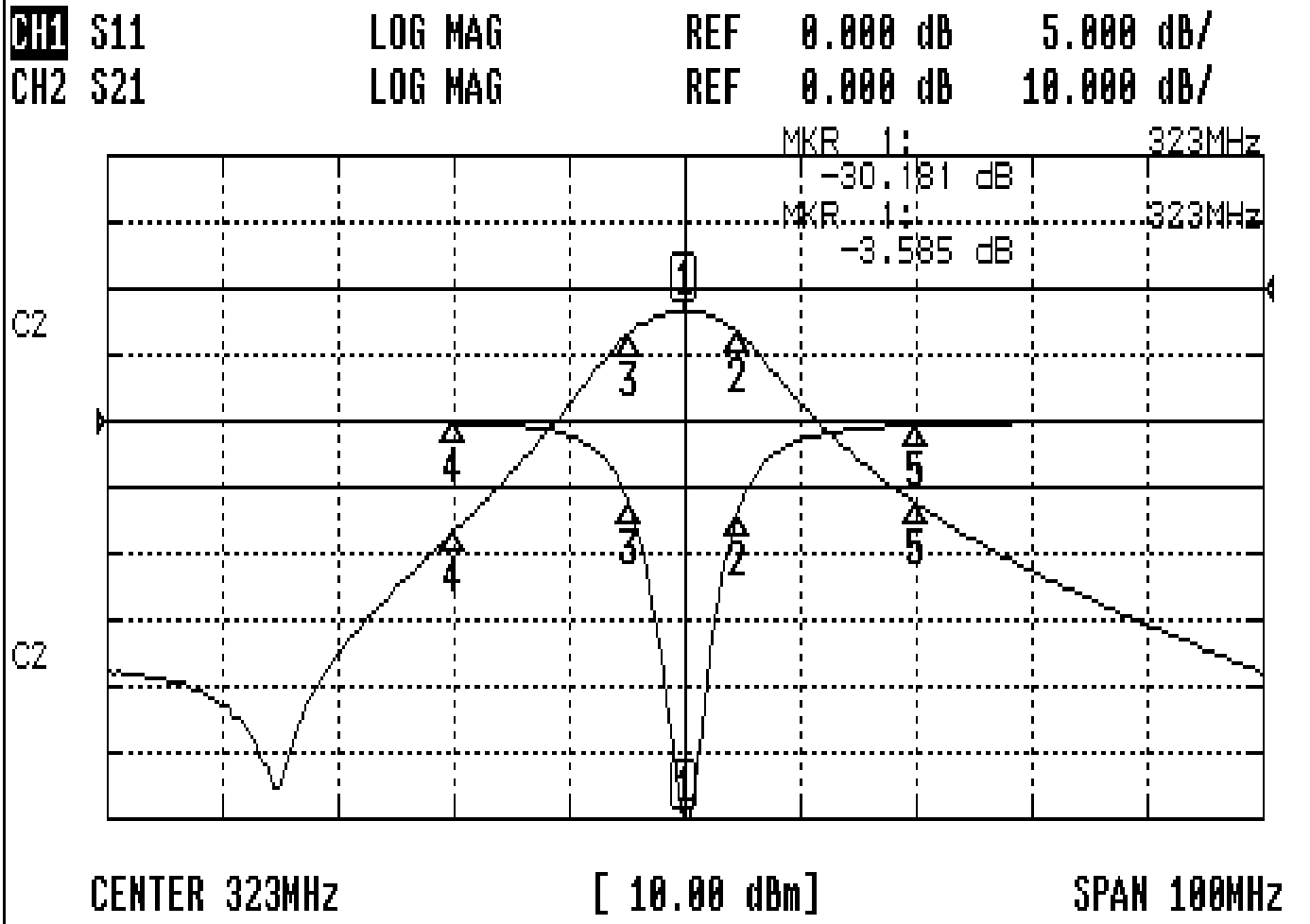


Approval	Supervisor	Designer	Aperture size
C.Y.Chang	C.S.Chang	W.W.Wang	7H3(4*6.5)F 7H046RB4

TEMWELL CORPORATION

Performance-TTL63138F-323M

0701059DC



CH1 MARKER LIST

1	323.000MHz	-30.181	dB
2	327.666MHz	-16.990	dB
3	318.250MHz	-16.325	dB
4	303.000MHz	-10.144	dB
5	343.000MHz	-10.327	dB

CH2 MARKER LIST

1	323.000MHz	-3.583	dB
2	327.666MHz	-16.600	dB
3	318.250MHz	-16.619	dB
4	303.000MHz	-36.700	dB
5	343.000MHz	-32.392	dB