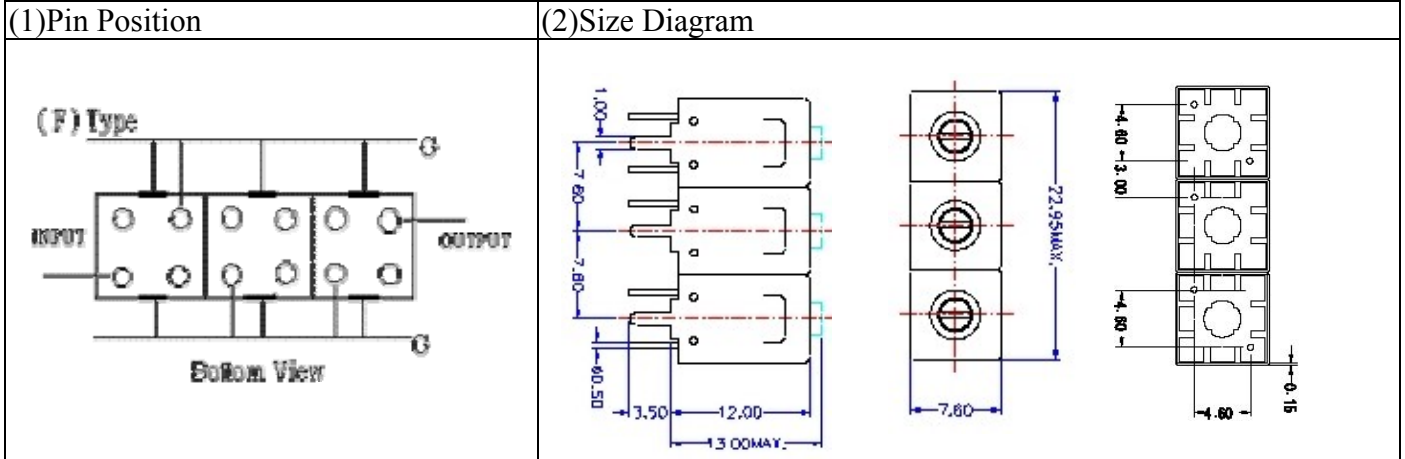


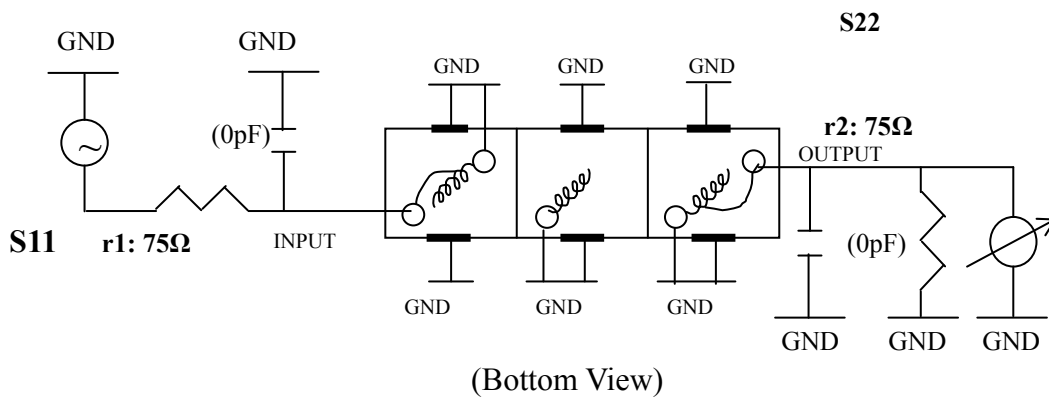
# VHF UHF Helical Filter Specification Sheet

Customer Name		Temwell's Part No.	TTL63136F-307M
Approval No. /dated	0701057APR	Acceptable Specify Fo Range	276~310 MHz
Work Instruction No.	0701057DC	Date	Jan.27.2007



(3) Electric Character			
Item		Specify	Performance
Center Freq.(Fo) +/- 0.5 %		307 MHz	307 MHz
Tunable Range:		307±4 MHz	307±4 MHz
Insertion Loss		Typ. 4.0 dB	3.15 dB
-3 dB Bandwidth		Typ. 8 MHz	9.5 MHz
Sensitivity (Attenuation)	Fo - 20 MHz	Typ. 33 dB	36 dB
	Fo + 20 MHz	Typ. 28 dB	31 dB
	Fo - ( )MHz	Typ. dB	dB
	Fo +( )MHz	Typ. dB	dB
Return Loss		Min. 12 dB	26.7 dB
Ripple		< 1 dB	dB
Impedance		In / Out : 75 Ω	In / Out : 75 Ω
(4) Torque for Tuning Screw		> 100gf · cm	
(5) Temperature Condition:			
Operating Temperature		0°C ~ +60°C	
Storage Temperature		20°C ~ +70°C	
(6) Input Power		> 1Watt	

(7) Measuring Circuit: ※Easy to match Impedance S11/S22 75Ω by parallel with about( 0 pF) / ( 0 pF).

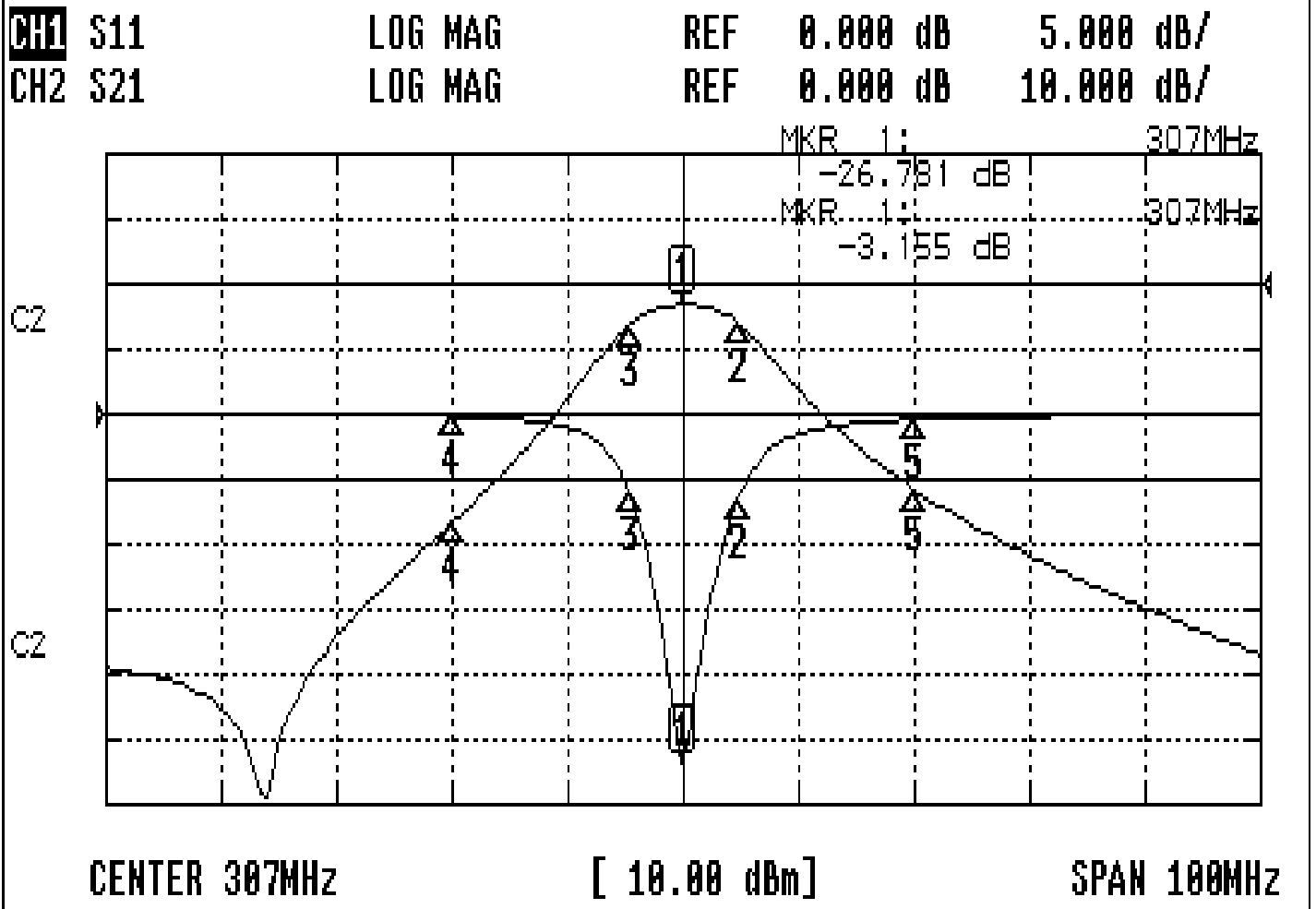


Approval	Supervisor	Designer	Aperture size
C.Y.Chang	C.S.Chang	W.W.Wang	7H3(4*6.5) 7H046RB4

TEMWELL CORPORATION

# Performance-TTL63136F-307M

## 0701057DC



### CH1 MARKER LIST

1:	307.000MHz	-26.776 dB
2:	311.916MHz	-6.322 dB
3:	302.416MHz	-6.034 dB
4:	287.000MHz	-0.144 dB
5:	327.000MHz	-0.388 dB

### CH2 MARKER LIST

1:	307.000MHz	-3.155 dB
2:	311.916MHz	-6.153 dB
3:	302.416MHz	-6.138 dB
4:	287.000MHz	-36.758 dB
5:	327.000MHz	-31.514 dB