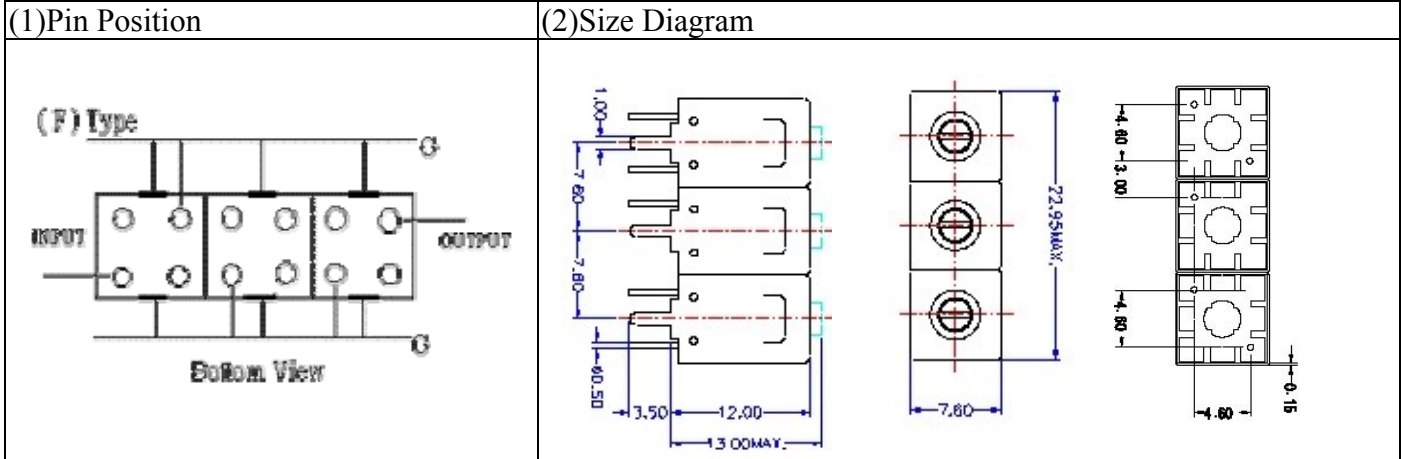


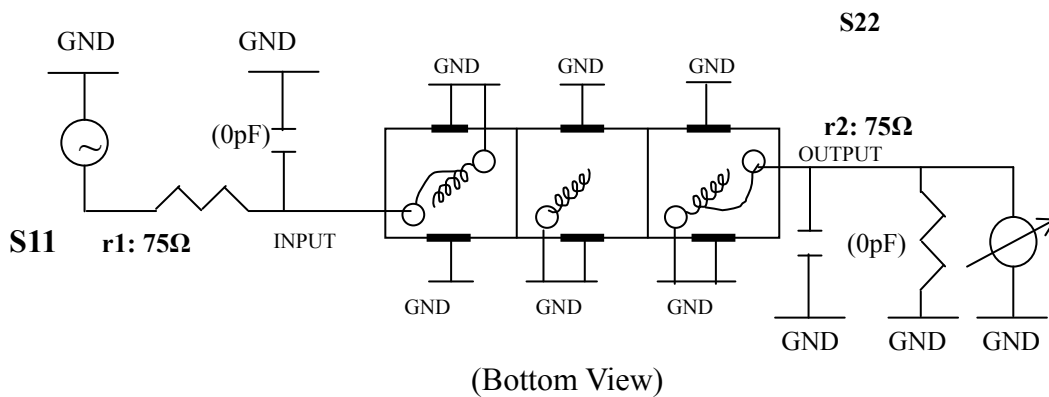
VHF UHF Helical Filter Specification Sheet

Customer Name		Temwell's Part No.	TTL63135F-297.5M
Approval No. /dated	0701056APR	. Acceptable Specify Fo Range	276~310 MHz
Work Instruction No.	0701056DC	Date	Jan.27.2007



Item		Specify	Performance
Center Freq.(Fo) +/- 0.5 %		297.5 MHz	297.5 MHz
Tunable Range:		297.5±4 MHz	297.5±4 MHz
Insertion Loss		Typ. 4.0 dB	3.03 dB
-3 dB Bandwidth		Typ. 7 MHz	8.6 MHz
Sensitivity (Attenuation)	Fo - 20 MHz	Typ. 38 dB	41 dB
	Fo + 20 MHz	Typ. 29 dB	32 dB
	Fo - ()MHz	Typ. dB	dB
	Fo +()MHz	Typ. dB	dB
Return Loss		Min. 12 dB	23.0 dB
Ripple		< 1 dB	dB
Impedance		In / Out : 75 Ω	In / Out : 75 Ω
(4) Torque for Tuning Screw		> 100gf · cm	
(5) Temperature Condition:			
Operating Temperature		0°C ~ +60°C	
Storage Temperature		20°C ~ +70°C	
(6) Input Power		> 1Watt	

(7) Measuring Circuit: ※Easy to match Impedance S11/S22 75Ω by parallel with about(0 pF) / (0 pF).

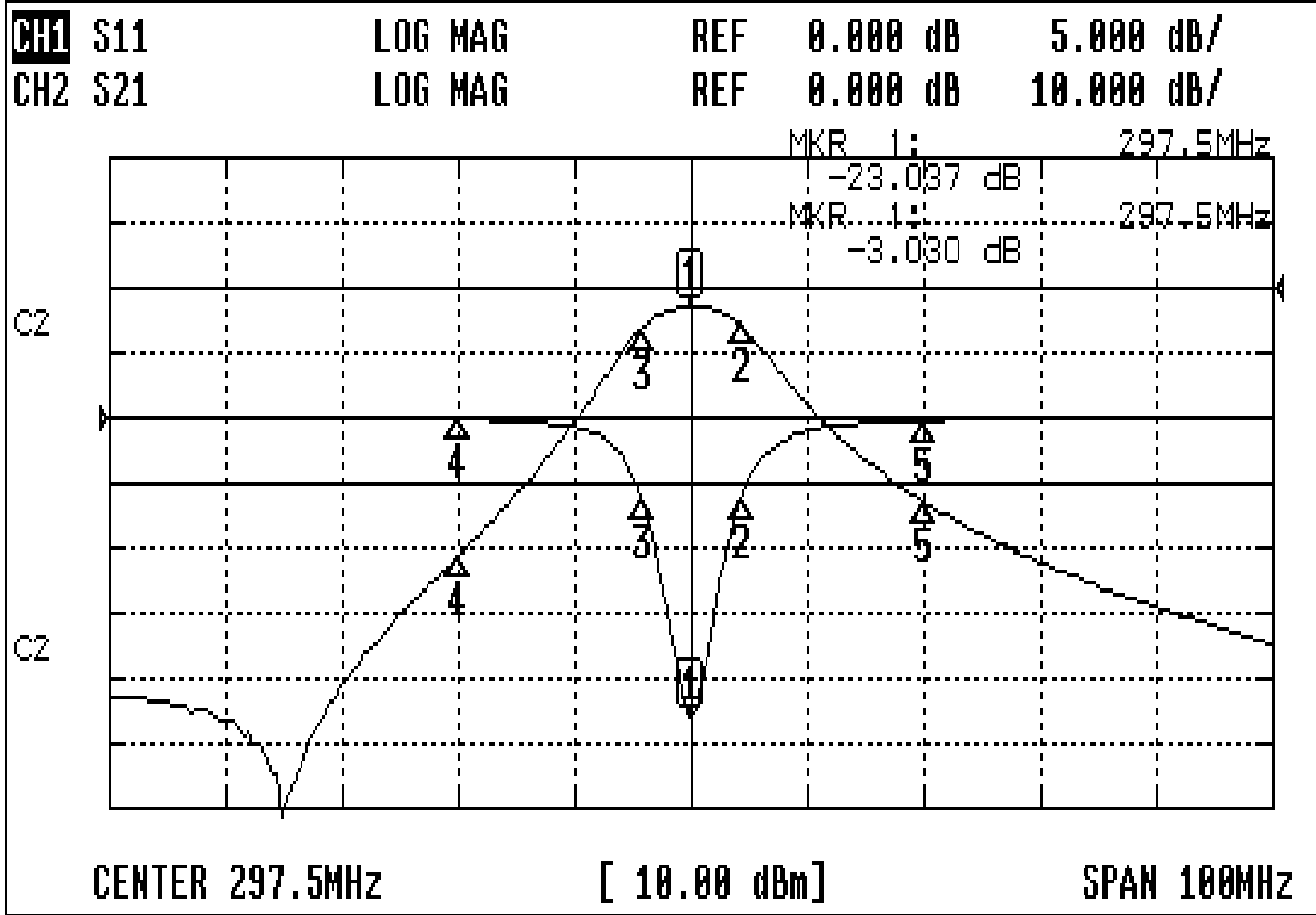


Approval	Supervisor	Designer	Aperture size
C.Y.Chang	C.S.Chang	W.W.Wang	7H3(4*5.5)F 7H024LB4

TEMWELL CORPORATION

Performance-TTL63135F-297.5M

0701056DC



CH1 MARKER LIST			
1:	297.500MHz	-23.018	dB
2:	301.916MHz	-6.009	dB
3:	293.333MHz	-6.206	dB
4:	277.500MHz	-0.084	dB
5:	317.500MHz	-0.185	dB
6:			
7:			
8:			
9:			
10:			

CH2 MARKER LIST			
1:	297.500MHz	-3.030	dB
2:	301.916MHz	-5.958	dB
3:	293.333MHz	-6.067	dB
4:	277.500MHz	-41.238	dB
5:	317.500MHz	-32.793	dB
6:			
7:			
8:			
9:			
10:			