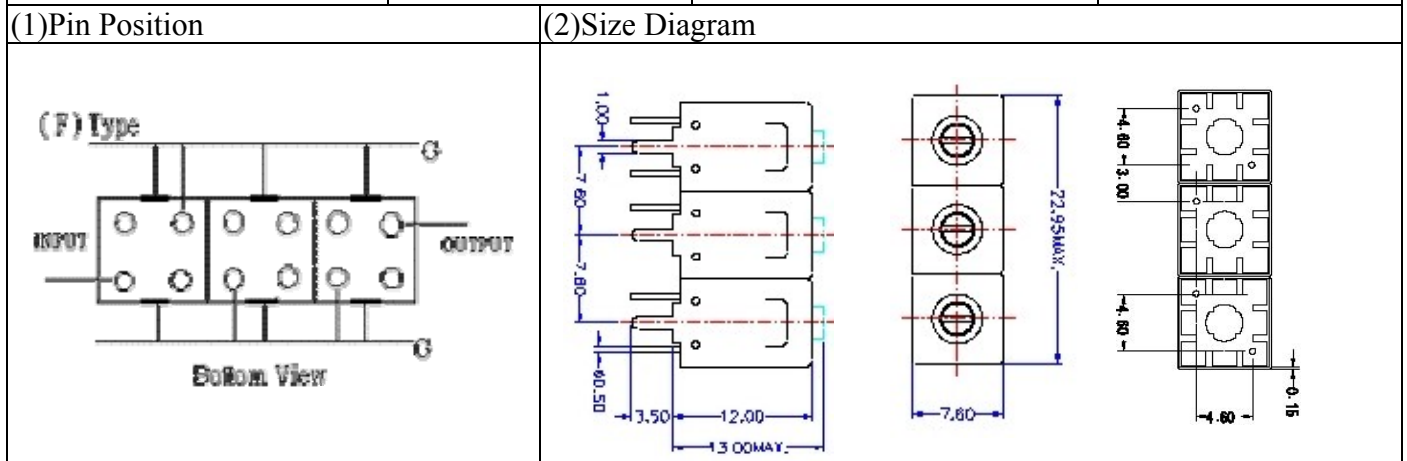


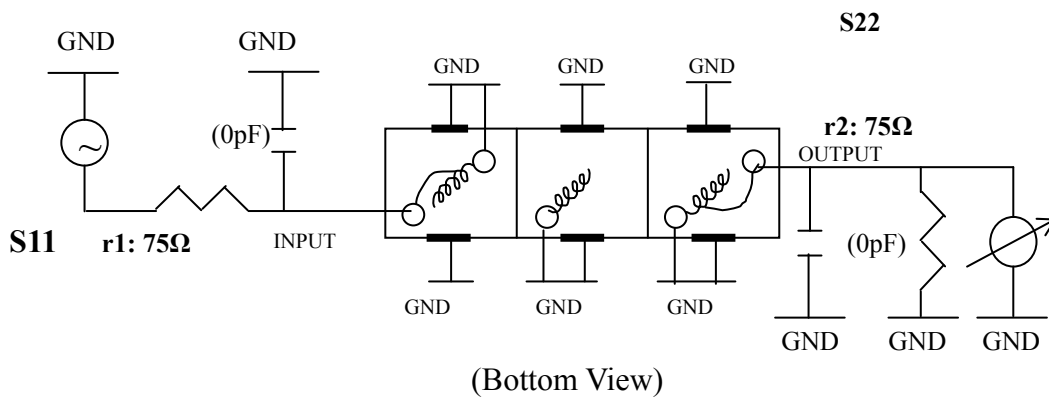
VHF UHF Helical Filter Specification Sheet

Customer Name		Temwell's Part No.	TTL63134F-290.5M
Approval No. /dated	0701055APR	Acceptable Specify Fo Range	276~310 MHz
Work Instruction No.	0701055DC	Date	Jan.24.2007



(3) Electric Character			
Item		Specify	Performance
Center Freq.(Fo) +/- 0.5 %		290.5 MHz	290.5 MHz
Tunable Range:		290.5±4 MHz	290.5±4 MHz
Insertion Loss		Typ. 4.0 dB	2.99 dB
-3 dB Bandwidth		Typ. 7 MHz	8.7 MHz
Sensitivity (Attenuation)	Fo - 20 MHz	Typ. 40 dB	43 dB
	Fo + 20 MHz	Typ. 31 dB	34 dB
	Fo - ()MHz	Typ. dB	dB
	Fo +()MHz	Typ. dB	dB
Return Loss		Min. 12 dB	27.3 dB
Ripple		< 1 dB	dB
Impedance		In / Out : 75 Ω	In / Out : 75 Ω
(4) Torque for Tuning Screw		> 100gf · cm	
(5) Temperature Condition:			
Operating Temperature		0°C ~ +60°C	
Storage Temperature		20°C ~ +70°C	
(6) Input Power		> 1Watt	

(7) Measuring Circuit: ※Easy to match Impedance S11/S22 /75Ω by parallel with about(0 pF) / (0 pF).



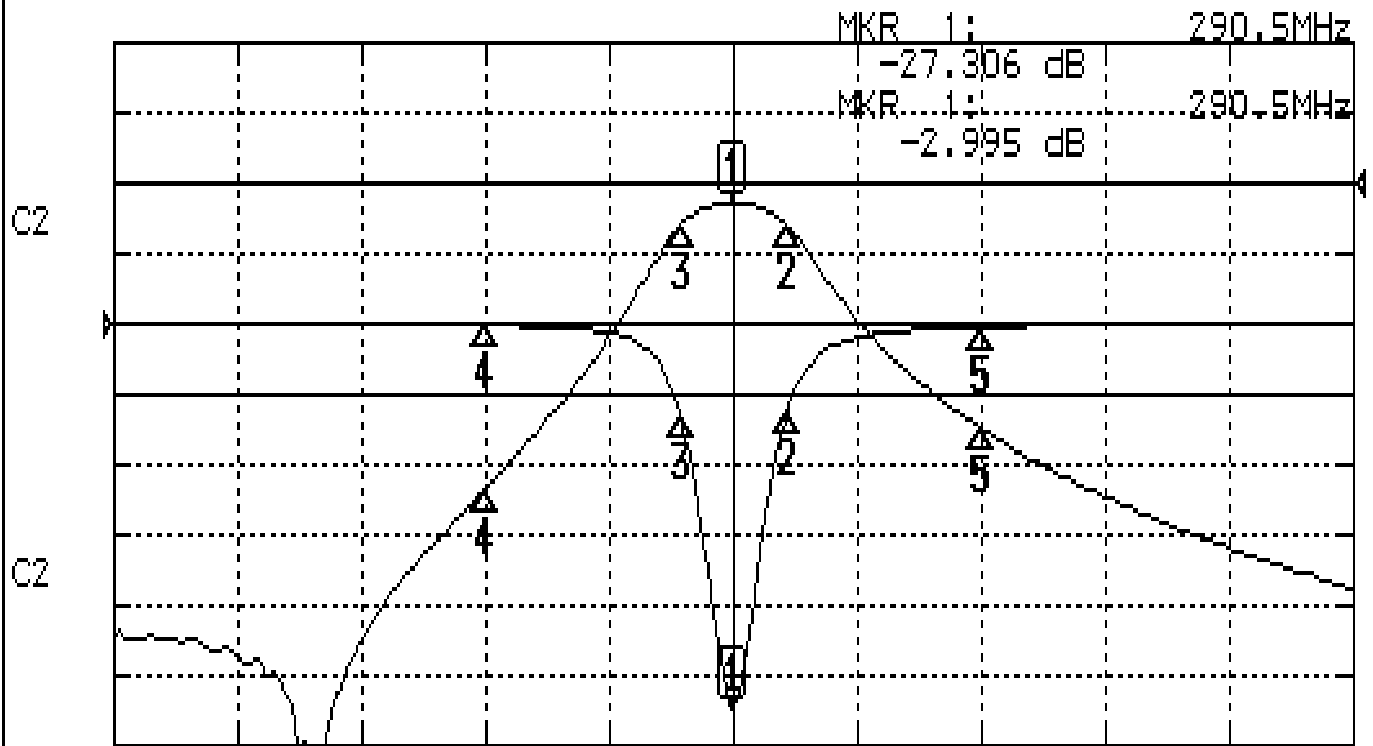
Approval	Supervisor	Designer	Aperture size
C.Y.Chang	C.S.Cnang	W.W.Wang	7H3(4*5.5)F 7H024LB4

TEMWELL CORPORATION

Performance-TTL63134F-290.5M

0701055DC

CH1 S11 LOG MAG REF 0.000 dB 5.000 dB/
CH2 S21 LOG MAG REF 0.000 dB 10.000 dB/



CENTER 290.5MHz

[10.00 dBm]

SPAN 100MHz

CH1 MARKER LIST

Marker	Frequency (MHz)	Magnitude (dB)
1	290.500	-27.224
2	294.916	-6.261
3	286.250	-6.431
4	270.500	-0.097
5	310.500	-0.216

CH2 MARKER LIST

Marker	Frequency (MHz)	Magnitude (dB)
1	290.500	-2.998
2	294.916	-6.052
3	286.250	-5.977
4	270.500	-43.445
5	310.500	-34.842