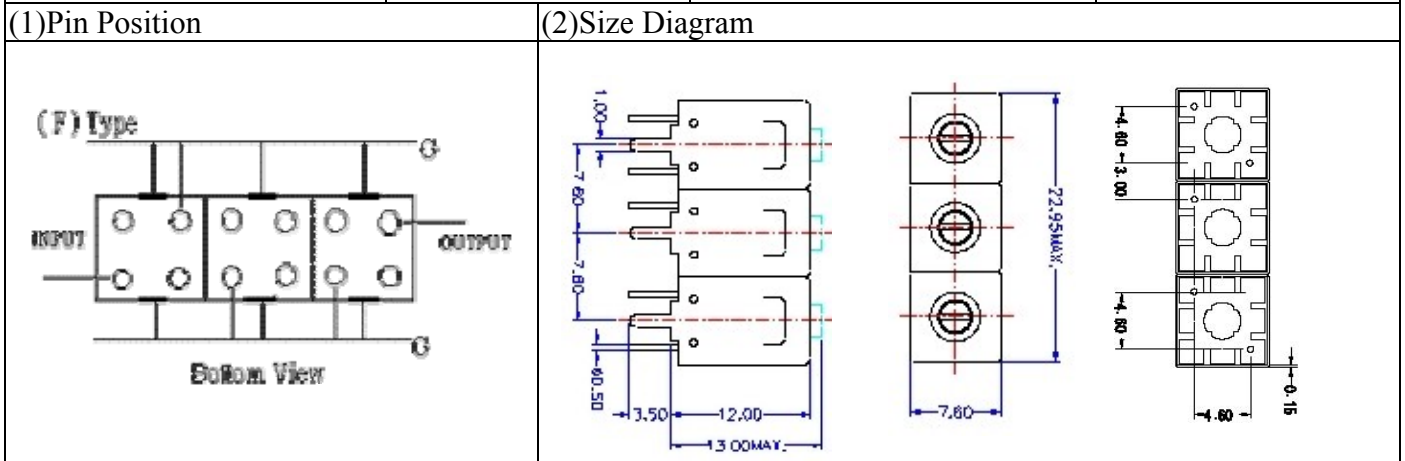


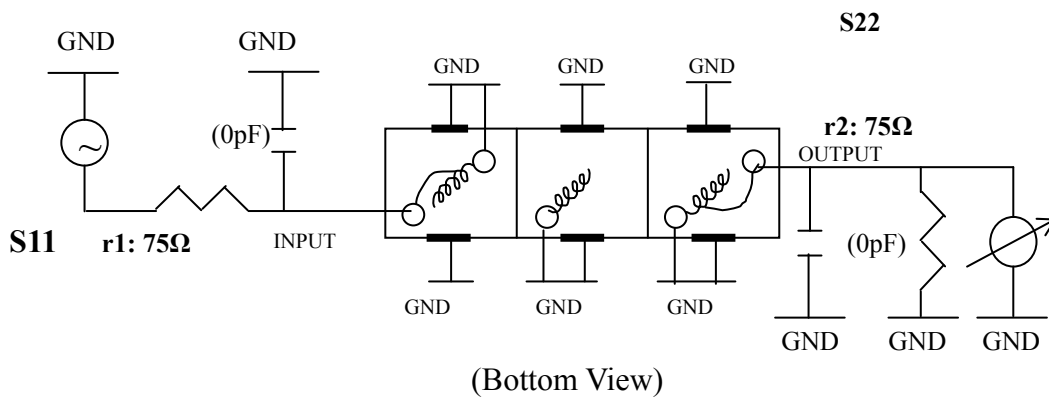
# VHF UHF Helical Filter Specification Sheet

Customer Name		Temwell's Part No.	TTL63131F-269.5M
Approval No. /dated	0701052APR	Acceptable Specify Fo Range	246~275 MHz
Work Instruction No.	0701052DC	Date	Jan.24.2007



(3) Electric Characteristic			
Item	Specify	Performance	
Center Freq.(Fo) +/- 0.5 %	269.5 MHz	269.5 MHz	
Tunable Range:	269.5±4 MHz	269.5±4 MHz	
Insertion Loss	Typ. 3.5 dB	2.67 dB	
-3 dB Bandwidth	Typ. 7 MHz	8.2 MHz	
Sensitivity (Attenuation)	Fo - 20 MHz	Typ. 33 dB	36 dB
	Fo + 20 MHz	Typ. 25 dB	28 dB
	Fo - ( )MHz	Typ. dB	dB
	Fo +( )MHz	Typ. dB	dB
Return Loss	Min. 12 dB	18.9 dB	
Ripple	< 1 dB	dB	
Impedance	In / Out : 75 Ω	In / Out : 75 Ω	
(4) Torque for Tuning Screw	> 100gf · cm		
(5) Temperature Condition:			
Operating Temperature	0°C ~ +60°C		
Storage Temperature	20°C ~ +70°C		
(6) Input Power	> 1Watt		

(7) Measuring Circuit: ※Easy to match Impedance S11/S22 /75Ω by parallel with about( 0 pF) / (0 pF).

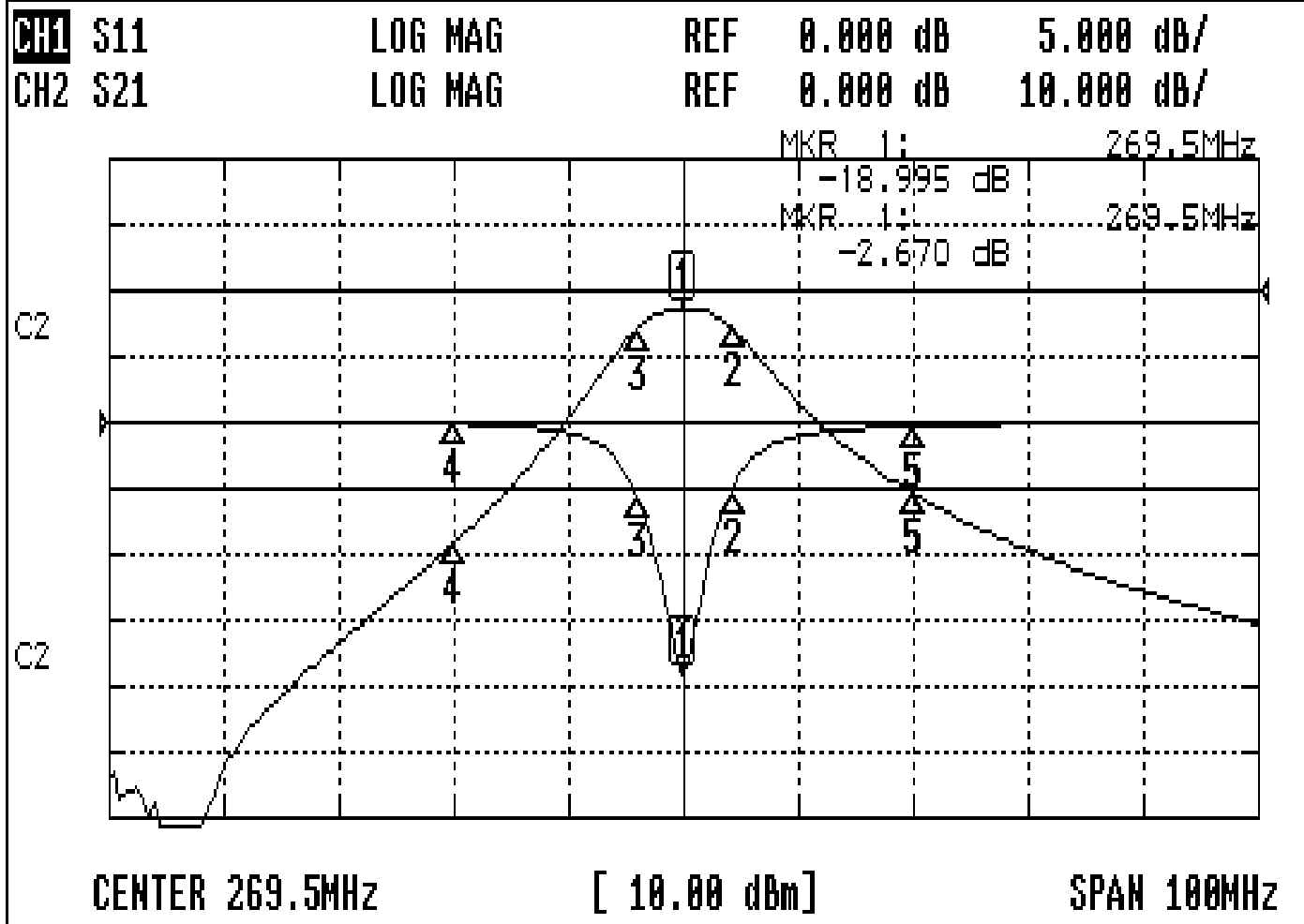


Approval	Supervisor	Designer	Aperture size
C.Y.Chang	C.S.Cnang	W.W.Wang	7H(4*5.5)F 7H024LB4

TEMWELL CORPORATION

# Performance-TTL63131F-269.5M

## 0701052DC



### CH1 MARKER LIST

1	269.500MHz	-18.991	dB	
2	273.750MHz	-1.051	dB	
3	265.500MHz	-1.532	dB	
4	249.500MHz	-0.128	dB	
5	289.500MHz	-0.282	dB	

### CH2 MARKER LIST

1	269.500MHz	-2.670	dB	
2	273.750MHz	-1.617	dB	
3	265.500MHz	-1.622	dB	
4	249.500MHz	-3.021	dB	
5	289.500MHz	-3.732	dB	