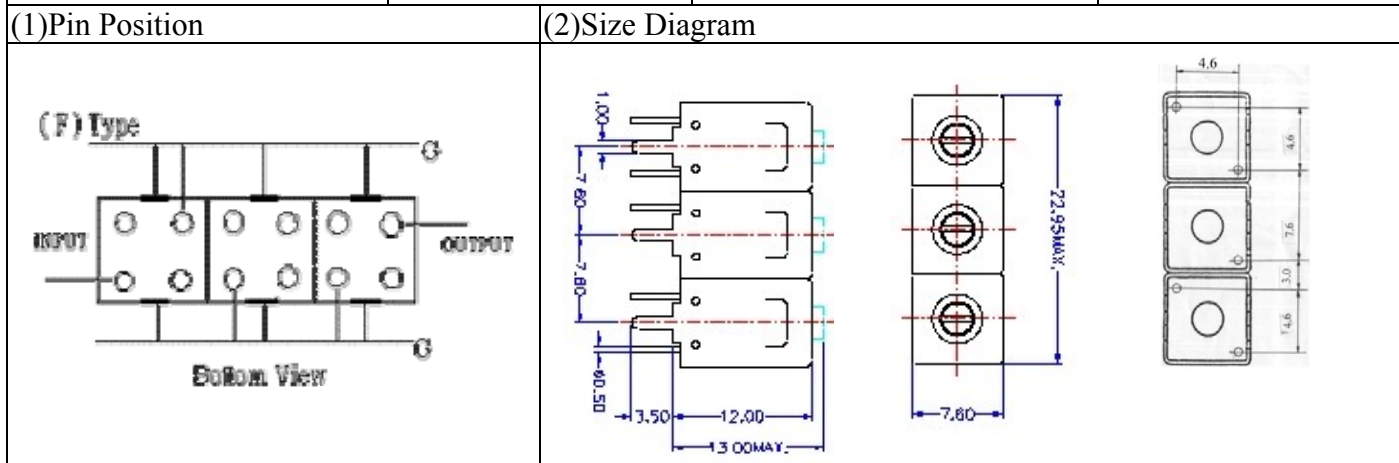


VHF UHF Helical Filter Specification Sheet

Customer Name		Temwell's Part No.	TTL63128F-248.5M
Approval No. /dated	0701049APR	Acceptable Specify Fo Range	246~275 MHz
Work Instruction No.	0701049DC	Date	Jan.17.2007



(3) Electric Chararistic

Item	Specify	Performance	
Center Freq.(Fo) +/- 0.5 %	248.5 MHz	248.5 MHz	
Tunable Range	248.5±4 MHz	248.5±4 MHz	
Insertion Loss	Typ. 3.5 dB	2.65 dB	
-3 dB Bandwidth	Typ. 7 MHz	8.1 MHz	
Sensitivity (Attenuation)	Fo - 20 MHz	Typ. 39 dB	42 dB
	Fo + 20 MHz	Typ. 28 dB	31 dB
	Fo - ()MHz	Typ. dB	dB
	Fo +()MHz	Typ. dB	dB
Return Loss	Min. 12 dB	20.5 dB	
Ripple	< 1 dB	dB	
Impedance	In / Out : 75 Ω	In / Out : 75 Ω	

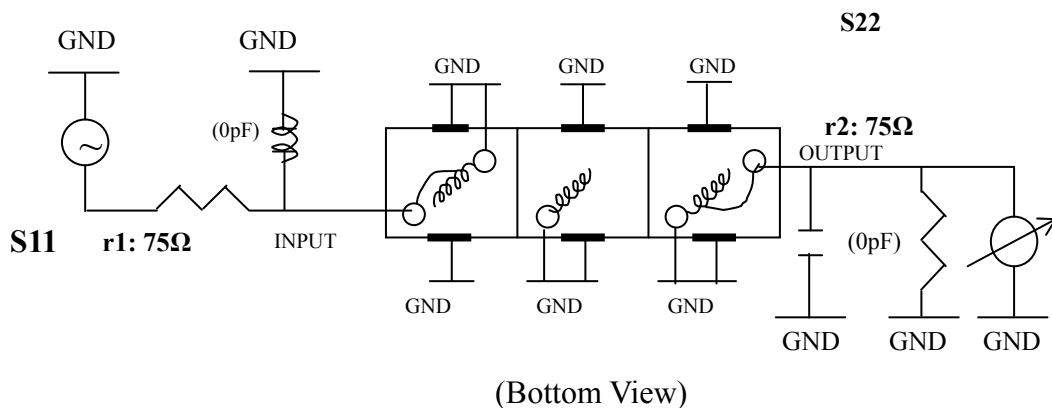
(4) Torque for Tuning Screw > 100gf · cm

(5) Temperature Condition:

Operating Temperature	-0°C ~ +60°C
Storage Temperature	-20°C ~ +70°C

(6) Input Power > 1Watt

(7) Measuring Circuit: ※Easy to match Impedance S11/S22 75Ω by parallel with about(0pF)/(0pF).



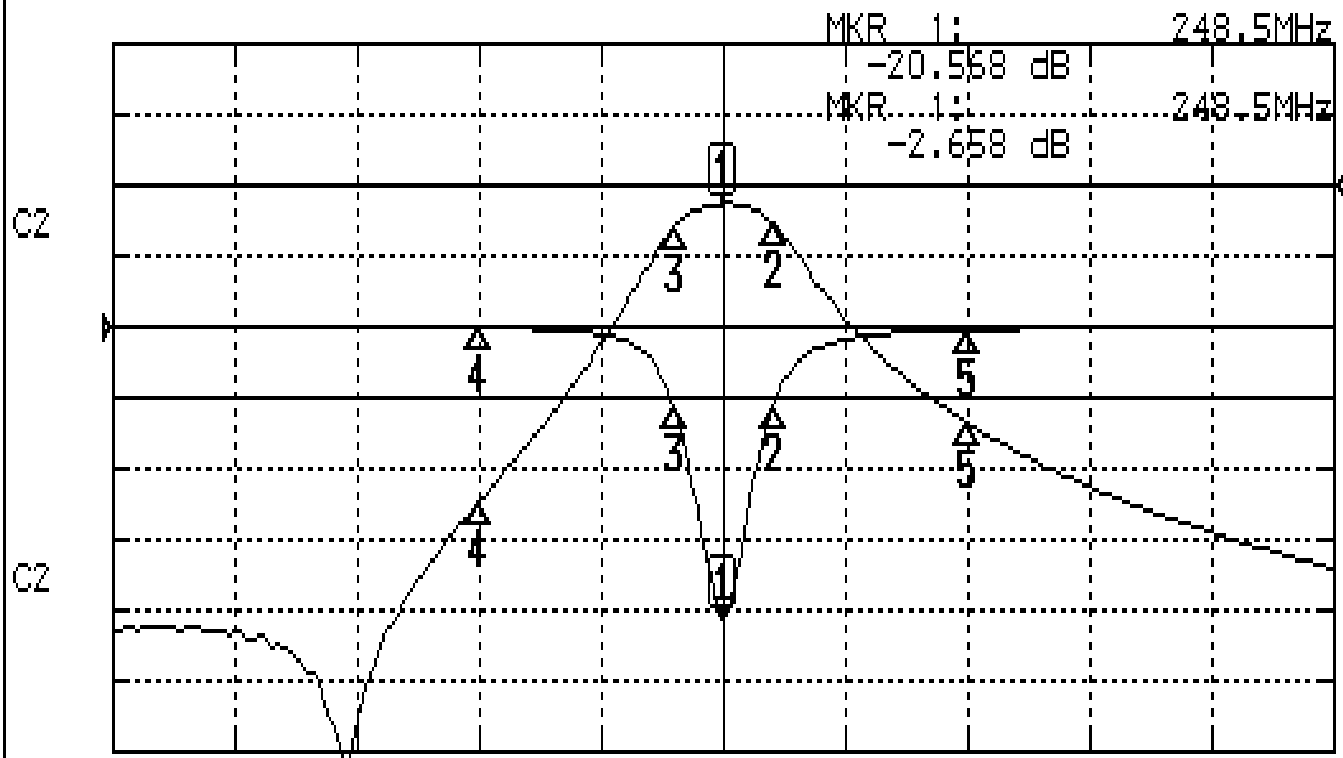
Approval	Supervisor	Designer	Aperture size
C.Y.Chang	C.S.Chang	W.W.Wang	7H3(4*5.5)F 7H024LB4

TEMWELL CORPORATION

Performance-TTL63128F-248.5M

0701049DC

CH1 S11 LOG MAG REF 0.000 dB 5.000 dB/
CH2 S21 LOG MAG REF 0.000 dB 10.000 dB/



CENTER 248.5MHz

[10.00 dBm]

SPAN 100MHz

CH1 MARKER LIST

1:	248.500MHz	-20.568	dB
2:	252.666MHz	-15.622	dB
3:	244.583MHz	-15.813	dB
4:	228.500MHz	-0.066	dB
5:	268.500MHz	-0.220	dB

CH2 MARKER LIST

1:	248.500MHz	-2.657	dB
2:	252.666MHz	-1.579	dB
3:	244.583MHz	-1.582	dB
4:	228.500MHz	-14.065	dB
5:	268.500MHz	-33.537	dB