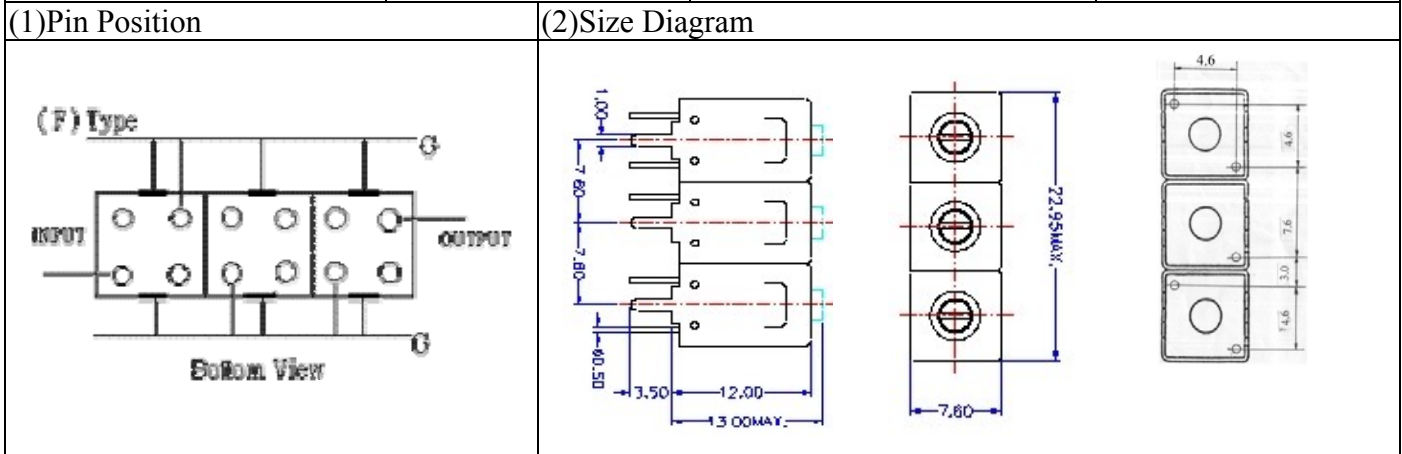


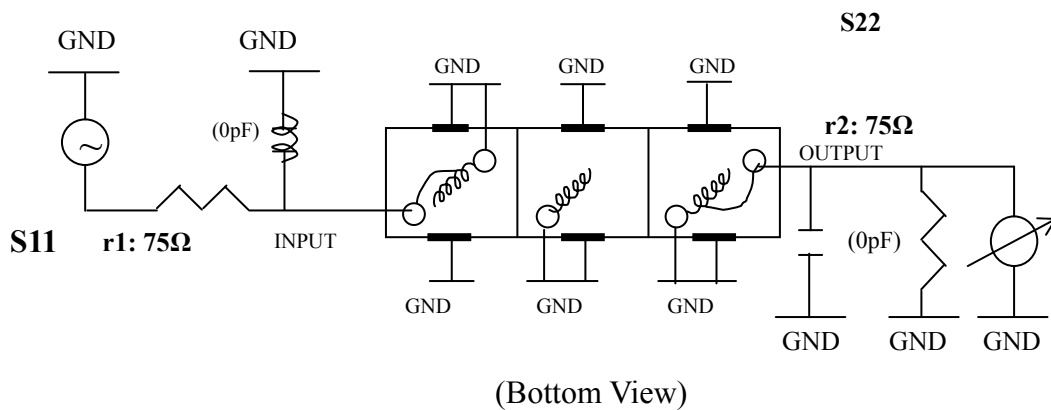
VHF UHF Helical Filter Specification Sheet

Customer Name		Temwell's Part No.	TTL63127F-241.5M
Approval No. /dated	0701048APR	Acceptable Specify Fo Range	221~245 MHz
Work Instruction No.	0701048DC	Date	Feb.12.2007



(3) Electric Characteristic			
Item		Specify	Performance
Center Freq.(Fo) +/- 0.5 %		241.5 MHz	241.5 MHz
Tunable Range		241.5±4 MHz	241.5±4 MHz
Insertion Loss		Typ. 3.5 dB	2.77 dB
-3 dB Bandwidth		Typ. 6 MHz	7.7 MHz
Sensitivity (Attenuation)	Fo - 15 MHz	Typ. 31 dB	34 dB
	Fo + 15 MHz	Typ. 23 dB	26 dB
	Fo - ()MHz	Typ. dB	dB
	Fo +()MHz	Typ. dB	dB
Return Loss		Min. 12 dB	20.0 dB
Ripple		< 1 dB	dB
Impedance		In / Out : 75 Ω	In / Out : 75 Ω
(4) Torque for Tuning Screw		> 100gf • cm	
(5) Temperature Condition:			
Operating Temperature		0°C ~ +60°C	
Storage Temperature		-20°C ~ +70°C	
(6) Input Power		> 1Watt	

(7) Measuring Circuit: ※Easy to match Impedance S11/S22 75Ω by parallel with about(0pF)/(0pF).



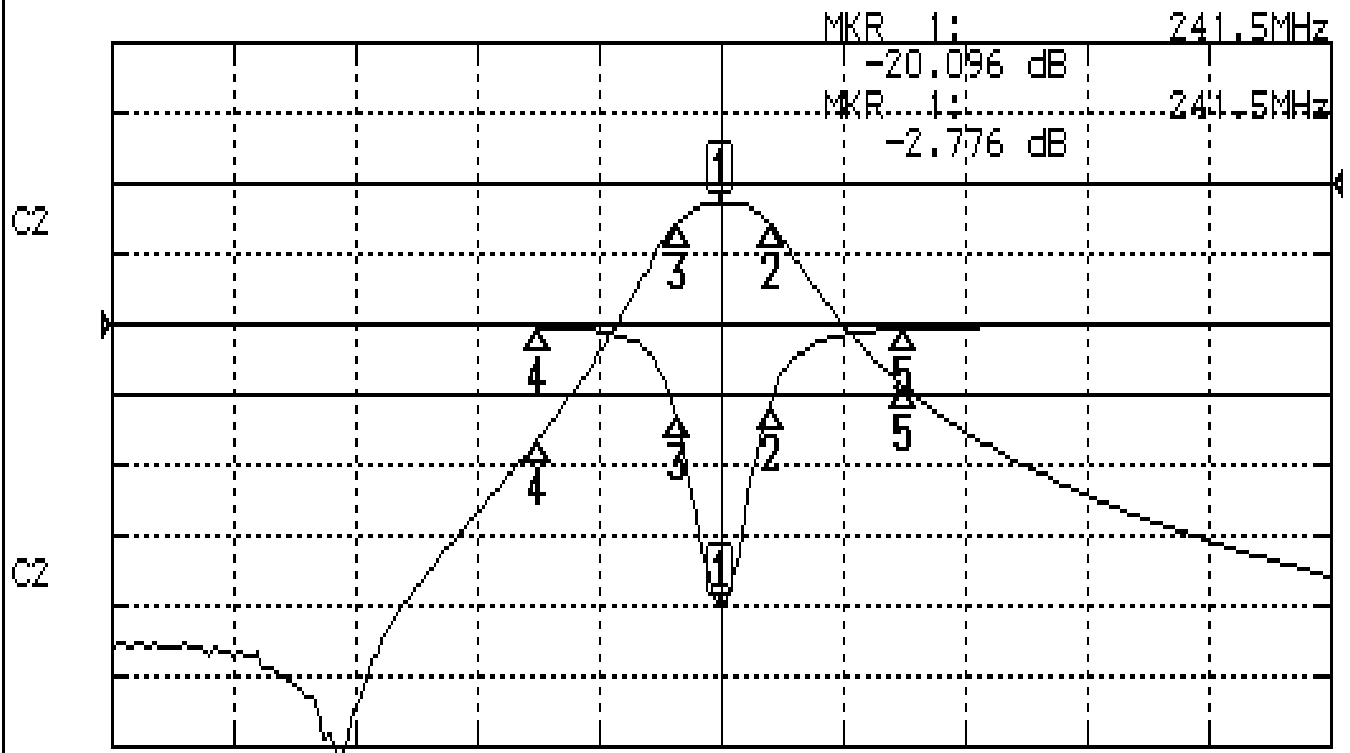
Approval	Supervisor	Designer	Aperture size
C.Y.Chang	C.S.Chang	P.H.Chiang	7H3(4*5.5)F 7H024LB4

TEMWELL CORPORATION

Performance-TTL63127F-241.5M

0701048DC

CH1 S11 LOG MAG REF 0.000 dB 5.000 dB/
CH2 S21 LOG MAG REF 0.000 dB 10.000 dB/



CENTER 241.5MHz

[10.00 dBm]

SPAN 100MHz

CH1 MARKER LIST

1:	241.500MHz	-20.096 dB
2:	245.500MHz	-15.738 dB
3:	237.833MHz	-16.402 dB
4:	226.500MHz	-0.145 dB
5:	256.500MHz	-0.320 dB

CH2 MARKER LIST

1:	241.500MHz	-2.776 dB
2:	245.500MHz	-11.669 dB
3:	237.833MHz	-11.698 dB
4:	226.500MHz	-18.379 dB
5:	256.500MHz	-28.794 dB