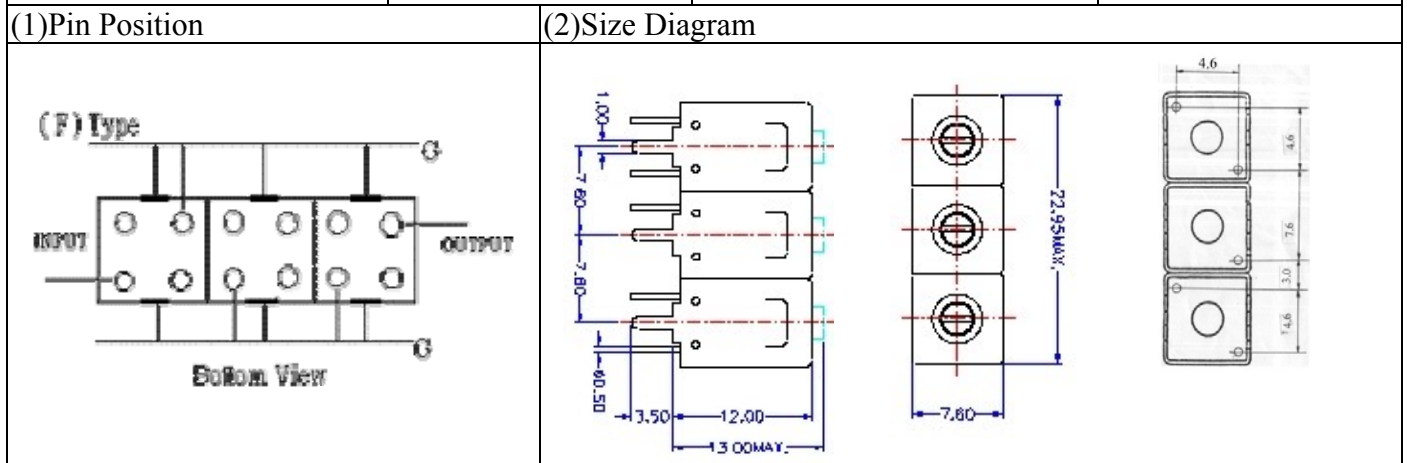
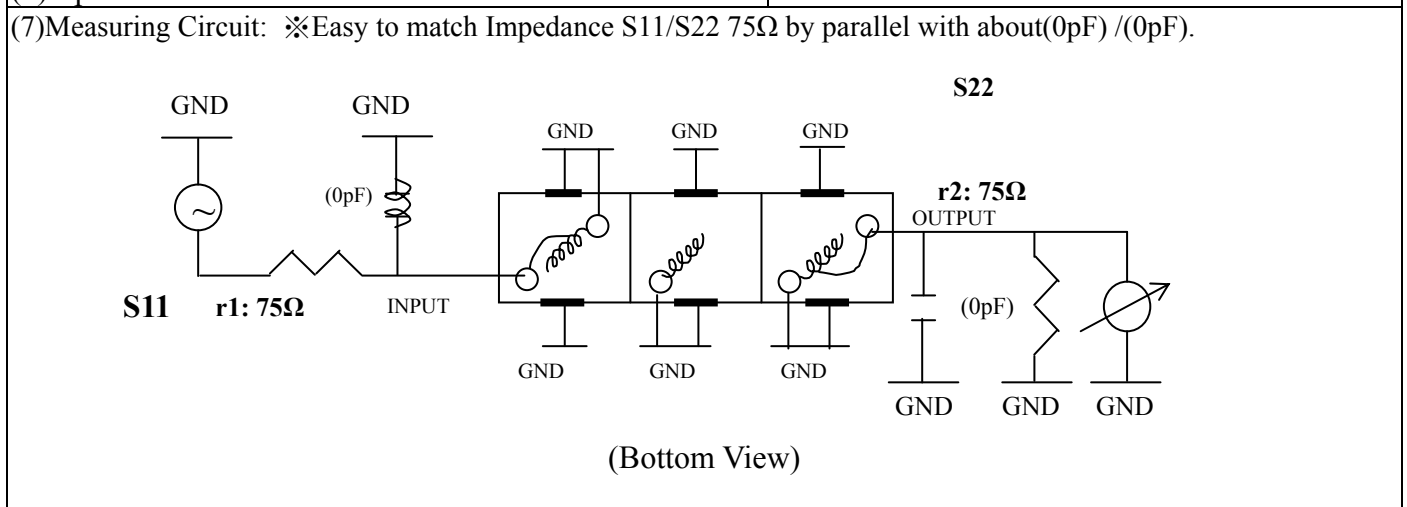


# VHF UHF Helical Filter Specification Sheet

Customer Name		Temwell's Part No.	TTL63126F-234.5M
Approval No. /dated	0701047APR	Acceptable Specify Fo Range	221~245 MHz
Work Instruction No.	0701047DC	Date	Jan.17.2007



(3) Electric Characteristic			
Item		Specify	Performance
Center Freq.(Fo) +/- 0.5 %		234.5 MHz	234.5 MHz
Tunable Range		234.5±4 MHz	234.5±4 MHz
Insertion Loss		Typ. 3.5 dB	2.63 dB
-3 dB Bandwidth		Typ. 7 MHz	8.4 MHz
Sensitivity (Attenuation)	Fo - 20 MHz	Typ. 40 dB	43 dB
	Fo + 20 MHz	Typ. 30 dB	33 dB
	Fo - ( )MHz	Typ. dB	dB
	Fo +( )MHz	Typ. dB	dB
Return Loss		Min. 12 dB	23.5 dB
Ripple		< 1 dB	dB
Impedance		In / Out : 75 Ω	In / Out : 75 Ω
(4) Torque for Tuning Screw		> 100gf · cm	
(5) Temperature Condition:			
Operating Temperature		-0°C ~ +60°C	
Storage Temperature		-20°C ~ +70°C	
(6) Input Power		> 1Watt	



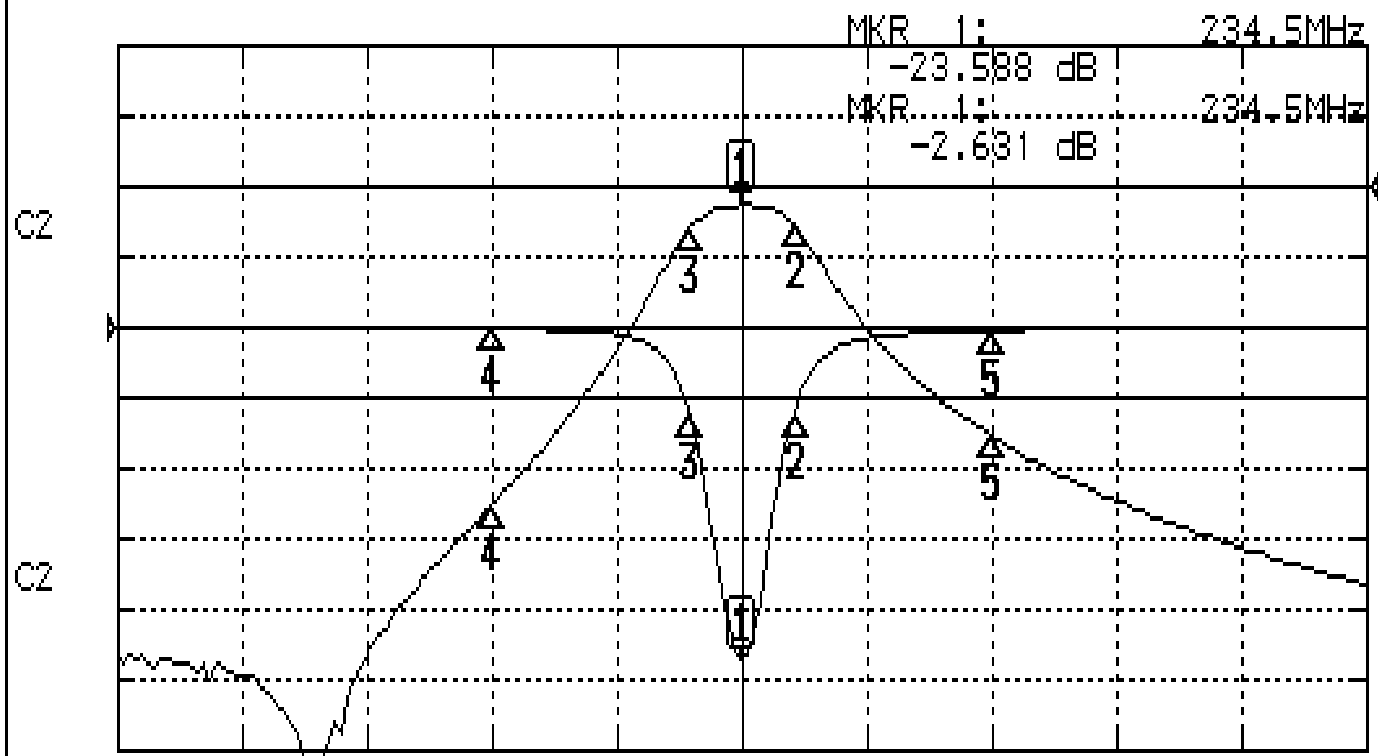
Approval	Supervisor	Designer	Aperture size
C.Y.Chang	C.S.Chang	W.W.Wang	7H3(4*5.5)F 7H024LB4

TEMWELL CORPORATION

# Performance-TTL63126F-234.5M

## 0701047DC

CH1 S11 LOG MAG REF 0.000 dB 5.000 dB/  
 CH2 S21 LOG MAG REF 0.000 dB 10.000 dB/



CENTER 234.5MHz

[ 10.00 dBm ]

SPAN 100MHz

### CH1 MARKER LIST

1:	234.500MHz	-23.546	dB
2:	238.750MHz	-5.888	dB
3:	230.416MHz	-6.224	dB
4:	214.500MHz	-0.067	dB
5:	254.500MHz	-0.193	dB

### CH2 MARKER LIST

1:	234.500MHz	-2.631	dB
2:	238.750MHz	-5.505	dB
3:	230.416MHz	-5.651	dB
4:	214.500MHz	-45.192	dB
5:	254.500MHz	-35.385	dB