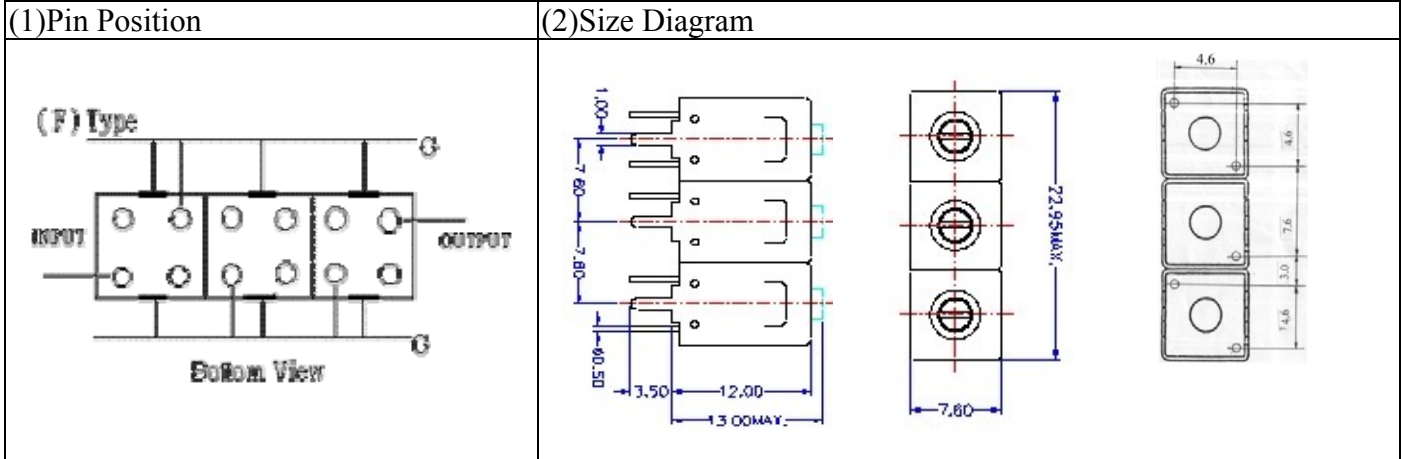


VHF UHF Helical Filter Specification Sheet

Customer Name		Temwell's Part No.	TTL63125F-227.5M
Approval No. /dated	0701046APR	Acceptable Specify Fo Range	221~245 MHz
Work Instruction No.	0701046DC	Date	Feb.12.2007



(3) Electric Characteristic

Item	Specify	Performance	
Center Freq.(Fo) +/- 0.5 %	227.5 MHz	227.5 MHz	
Tunable Range	227.5±4 Hz	227.5±4 MHz	
Insertion Loss	Typ. 3.5 dB	2.58 dB	
-3 dB Bandwidth	Typ. 7 MHz	8.1 MHz	
Sensitivity (Attenuation)	Fo - 15 MHz	Typ. 30 dB	33 dB
	Fo + 15 MHz	Typ. 24 dB	27 dB
	Fo - ()MHz	Typ. dB	dB
	Fo + ()MHz	Typ. dB	dB
Return Loss	Min. 12 dB	22.9 dB	
Ripple	< 1 dB	dB	
Impedance	In / Out : 75 Ω	In / Out : 75 Ω	

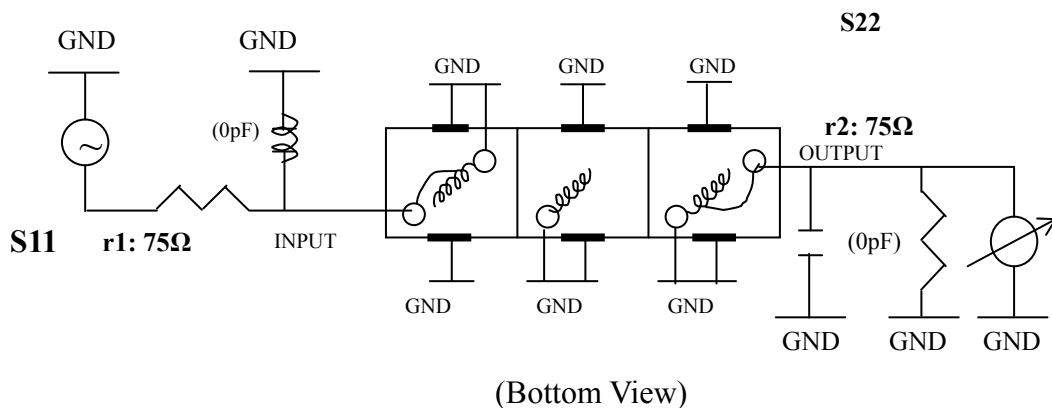
(4) Torque for Tuning Screw > 100gf · cm

(5) Temperature Condition:

Operating Temperature	0°C ~ +60°C
Storage Temperature	-20°C ~ +70°C

(6) Input Power > 1Watt

(7) Measuring Circuit: ※Easy to match Impedance S11/S22 75Ω by parallel with about(0pF)/(0pF).

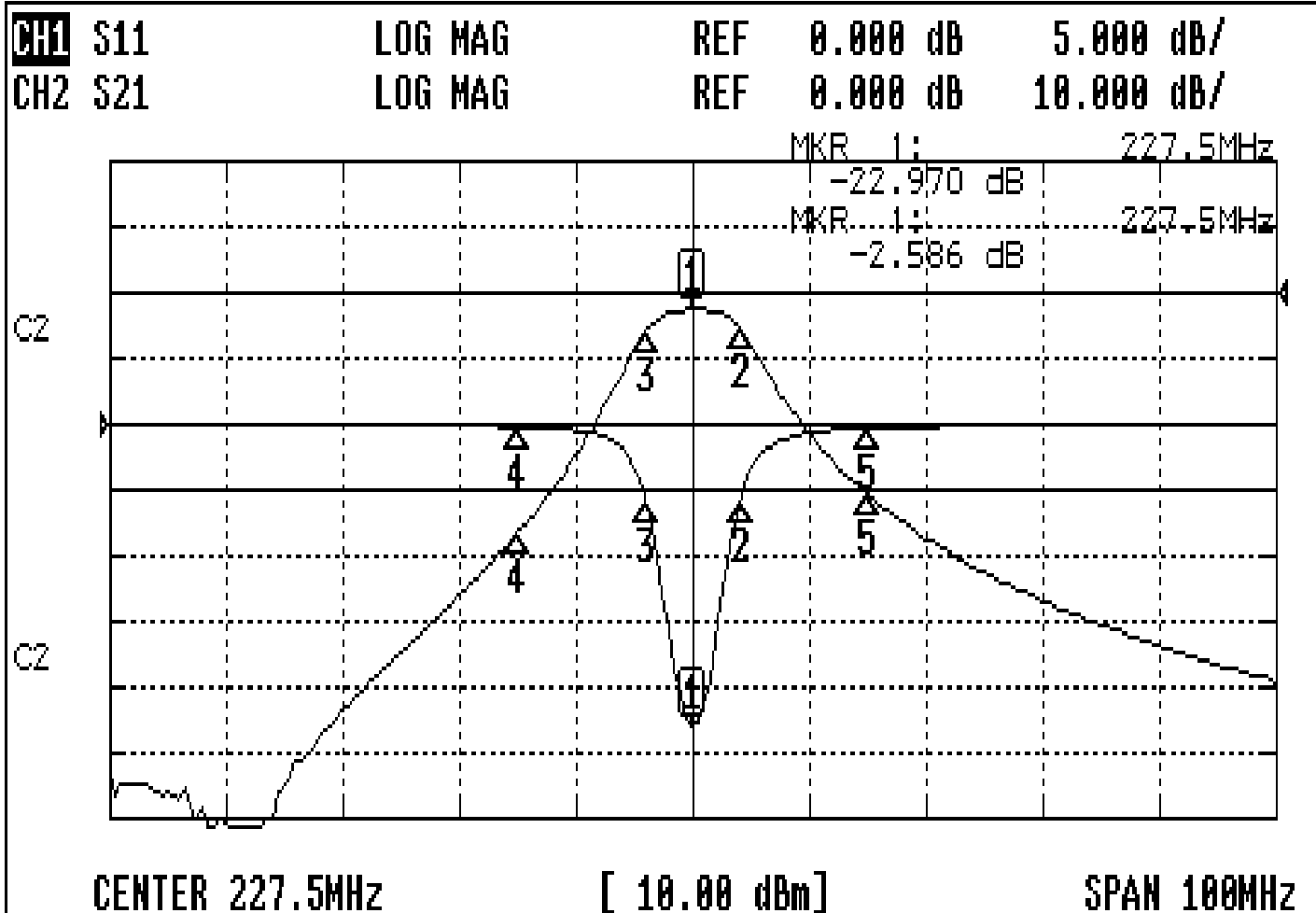


Approval	Supervisor	Designer	Aperture size
C.Y.Chang	C.S.Chang	P.H.Chiang	7H3(4*5.5)F 7H024LB4

TEMWELL CORPORATION

Performance-TTL63125F-227.5M

0701046DC



CH1 MARKER LIST

1:	227.500MHz	-22.964 dB
2:	231.666MHz	-5.697 dB
3:	223.583MHz	-6.047 dB
4:	212.500MHz	-0.185 dB
5:	242.500MHz	-0.275 dB

CH2 MARKER LIST

1:	227.500MHz	-2.586 dB
2:	231.666MHz	-5.691 dB
3:	223.583MHz	-5.682 dB
4:	212.500MHz	-36.600 dB
5:	242.500MHz	-30.700 dB