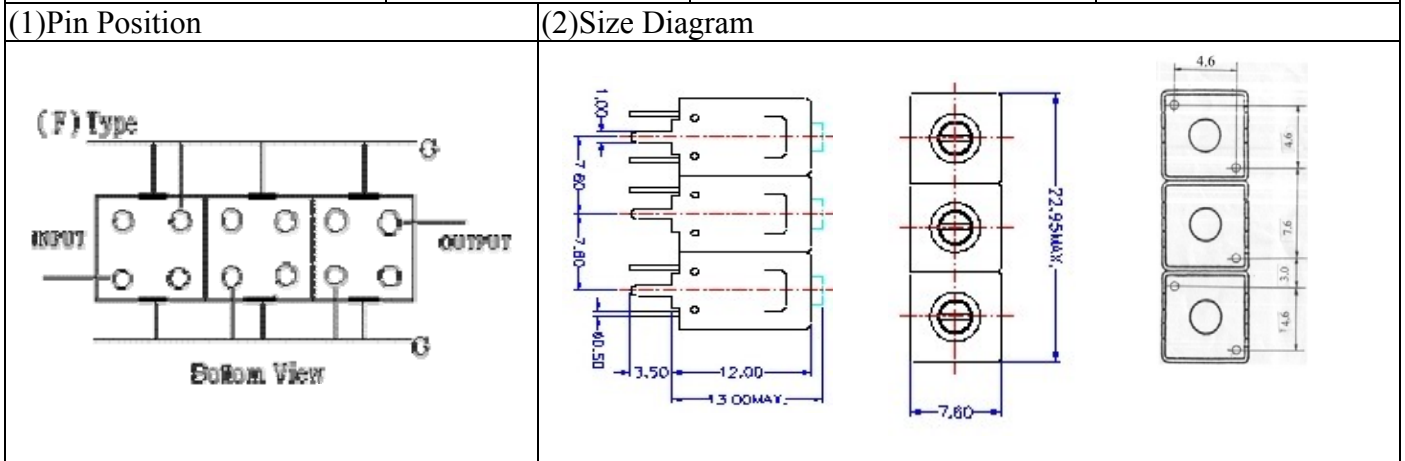


VHF UHF Helical Filter Specification Sheet

Customer Name		Temwell's Part No.	TTL63124F-220.5M
Approval No. /dated	0701045APR	Acceptable Specify Fo Range	196~220 MHz
Work Instruction No.	0701045DC	Date	Feb.12.2007



(3) Electric Characteristic

Item	Specify	Performance	
Center Freq.(Fo) +/- 0.5 %	220.5 MHz	220.5 MHz	
Tunable Range	220.5±4 MHz	220.5±4 MHz	
Insertion Loss	Typ. 3.5 dB	2.56 dB	
-3 dB Bandwidth	Typ. 7 MHz	8.1 MHz	
Sensitivity (Attenuation)	Fo - 15 MHz	Typ. 33 dB	36 dB
	Fo + 15 MHz	Typ. 25 dB	28 dB
	Fo - ()MHz	Typ. dB	dB
	Fo +()MHz	Typ. dB	dB
Return Loss	Min. 12 dB	31.4 dB	
Ripple	< 1 dB	dB	
Impedance	In / Out : 75 Ω	In / Out : 75 Ω	

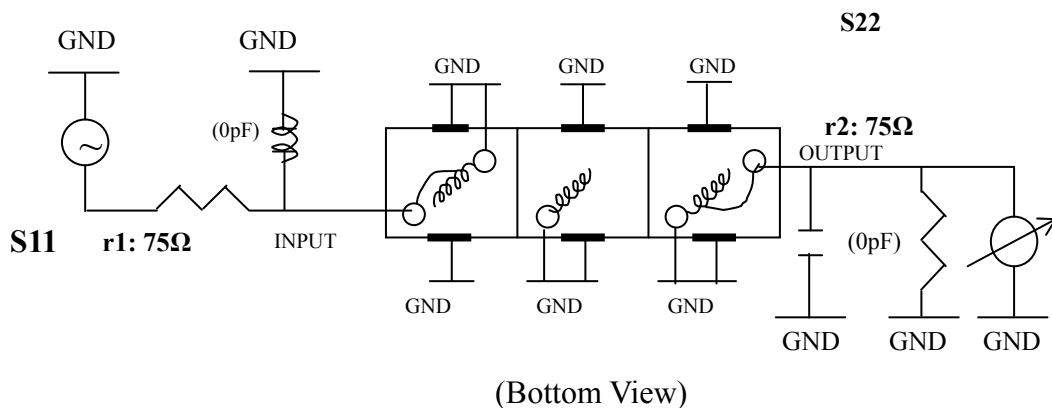
(4) Torque for Tuning Screw > 100gf · cm

(5) Temperature Condition:

Operating Temperature	0°C ~ +60°C
Storage Temperature	-20°C ~ +70°C

(6) Input Power > 1Watt

(7) Measuring Circuit: ※Easy to match Impedance S11/S22 75Ω by parallel with about(0pF)/(0pF).

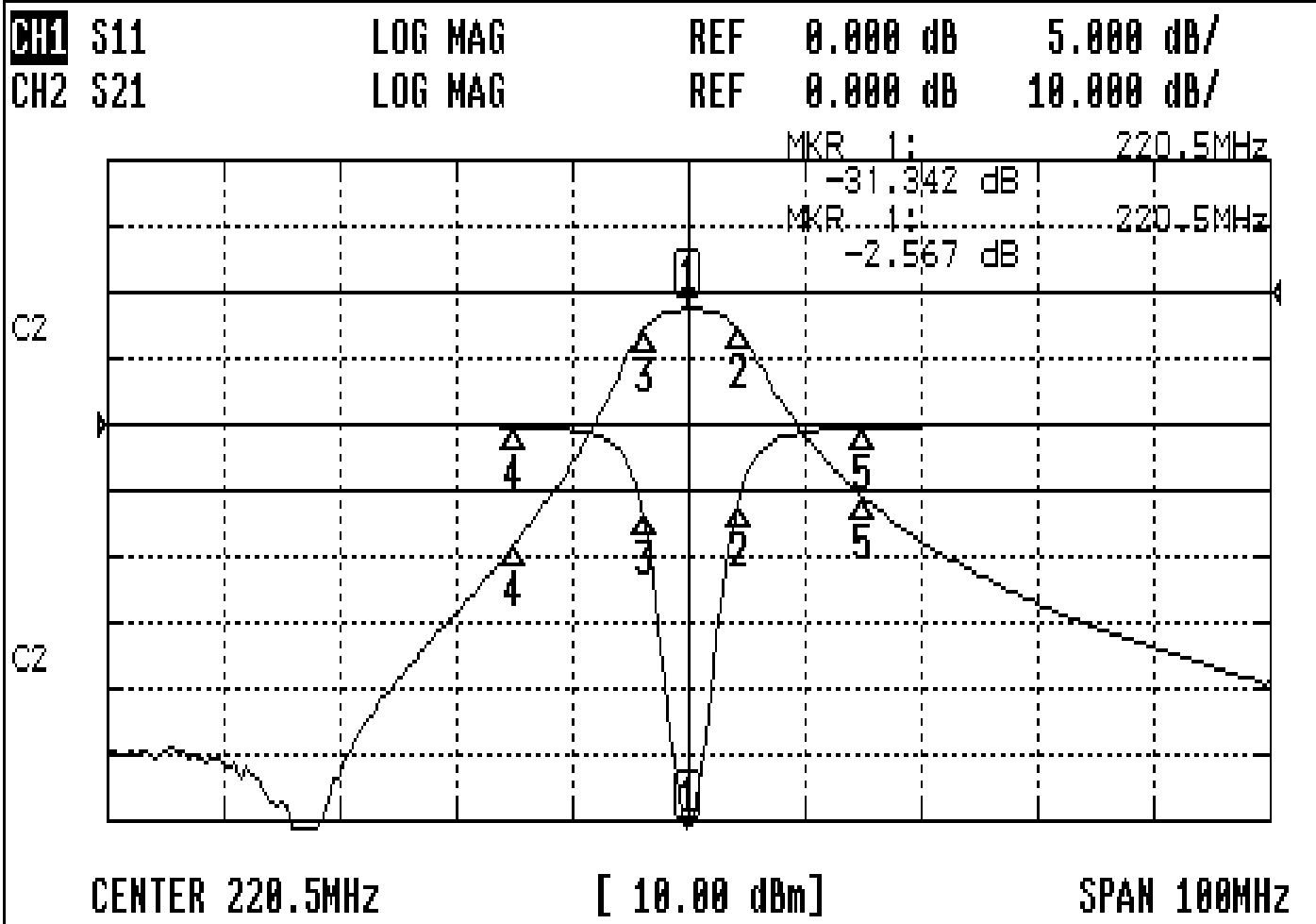


Approval	Supervisor	Designer	Aperture size
C.Y.Chang	C.S.Chang	P.H.Chiang	7H3(4*5.5)F 7H024LB4

TEMWELL CORPORATION

Performance-TTL63124F-220.5M

0701045DC



CH1 MARKER LIST

1:	220.500MHz	-31.450	dB
2:	224.750MHz	-16.067	dB
3:	216.666MHz	-16.871	dB
4:	205.500MHz	-0.171	dB
5:	235.500MHz	-0.254	dB

CH2 MARKER LIST

1:	220.500MHz	-2.567	dB
2:	224.750MHz	-11.577	dB
3:	216.666MHz	-11.538	dB
4:	205.500MHz	-38.307	dB
5:	235.500MHz	-30.890	dB