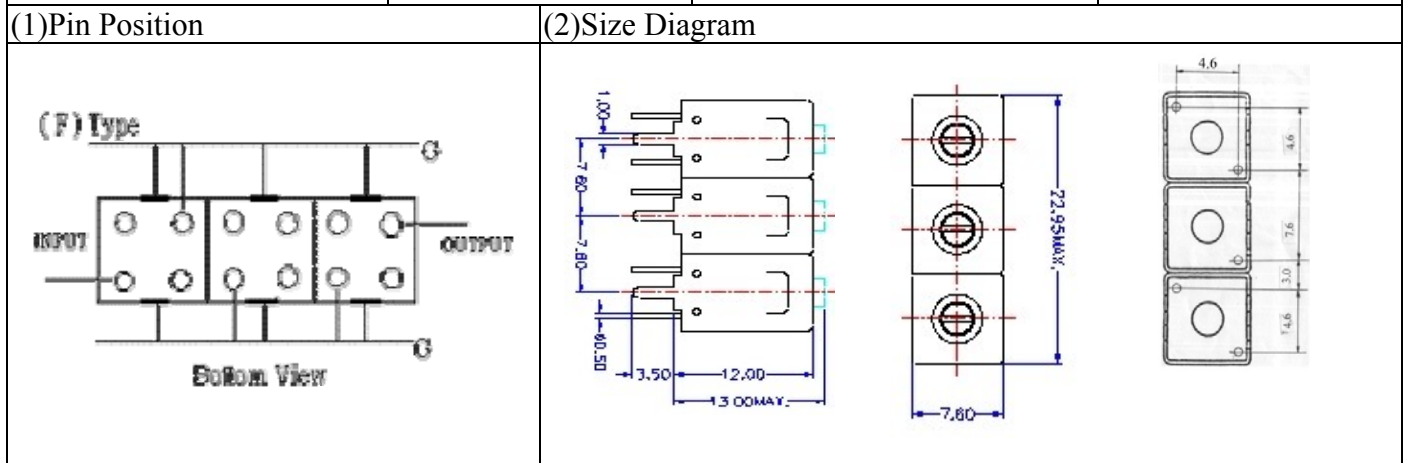
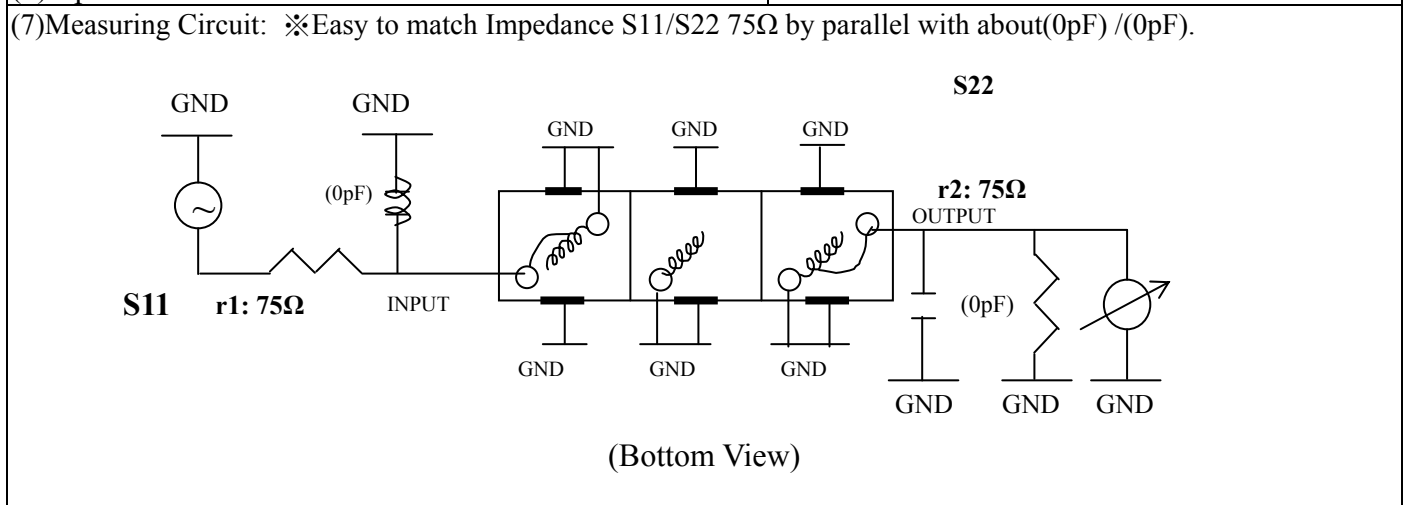


VHF UHF Helical Filter Specification Sheet

Customer Name		Temwell's Part No.	TTL63122F-206.5M
Approval No. /dated	0701043APR	Acceptable Specify Fo Range	196~220 MHz
Work Instruction No.	0701043DC	Date	Feb.12.2007



Item		Specify	Performance
Center Freq.(Fo) +/- 0.5 %		206.5 MHz	206.5 MHz
Tunable Range		206.5±4 MHz	206.5±4 MHz
Insertion Loss		Typ. 3.5 dB	2.76 dB
-3 dB Bandwidth		Typ. 6 MHz	7.6 MHz
Sensitivity (Attenuation)	Fo - 15 MHz	Typ. 35 dB	38 dB
	Fo + 15 MHz	Typ. 28 dB	31 dB
	Fo - ()MHz	Typ. dB	dB
	Fo +()MHz	Typ. dB	dB
Return Loss		Min. 12 dB	31.8 dB
Ripple		< 1 dB	dB
Impedance		In / Out : 75 Ω	In / Out : 75 Ω
(4) Torque for Tuning Screw		> 100gf · cm	
(5) Temperature Condition:			
Operating Temperature		0°C ~ +60°C	
Storage Temperature		-20°C ~ +70°C	
(6) Input Power		> 1Watt	

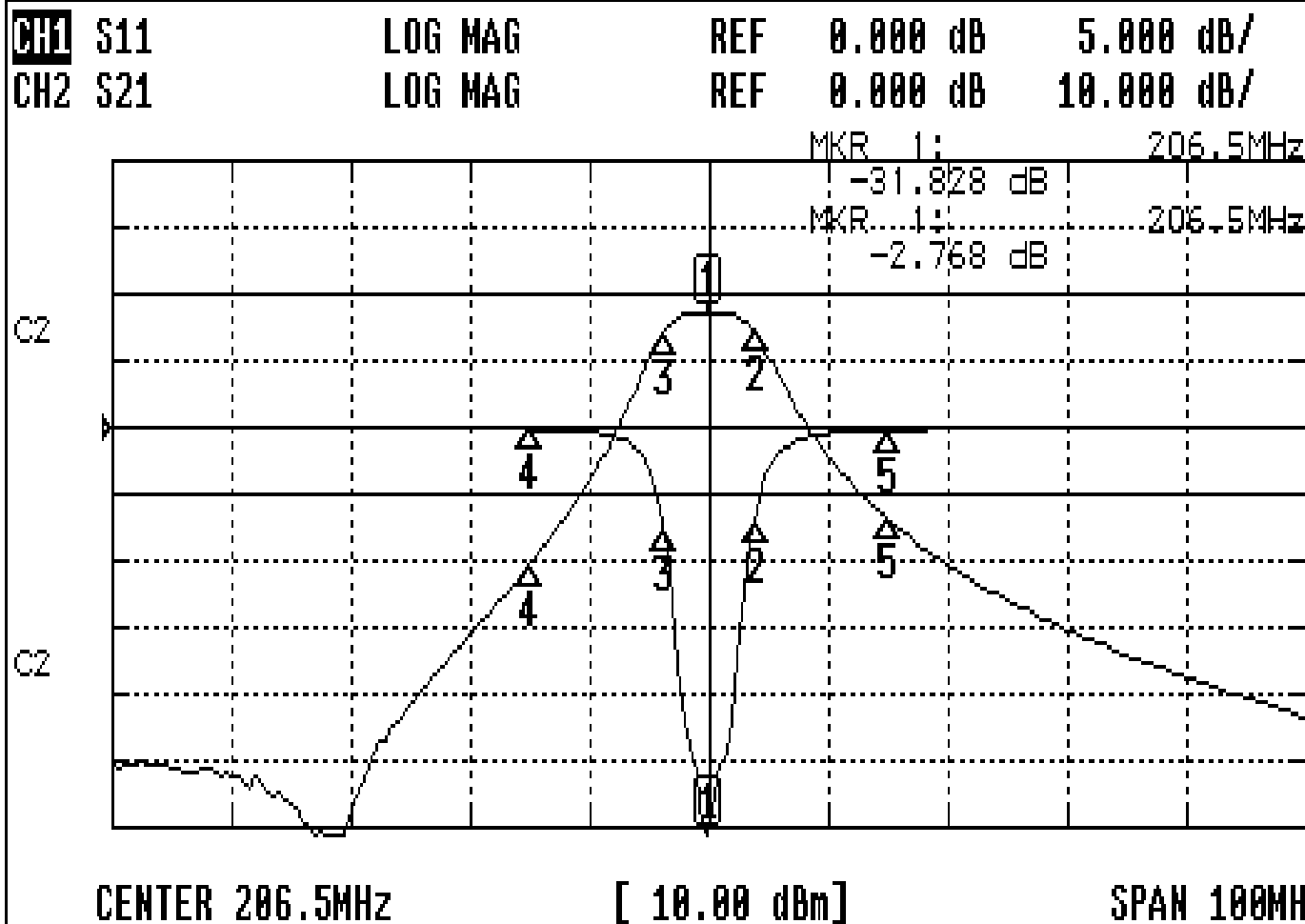


Approval	Supervisor	Designer	Aperture size
C.Y.Chang	C.S.Chang	P.H.Chiang	7H3(4*5.5)F 7H024LB4

TEMWELL CORPORATION

Performance-TTL63122F-206.5M

0701043DC



CH1 MARKER LIST

1:	206.500MHz	-31.828 dB
2:	210.333MHz	-6.907 dB
3:	202.750MHz	-7.683 dB
4:	191.500MHz	-0.142 dB
5:	221.500MHz	-0.210 dB

CH2 MARKER LIST

1:	206.500MHz	-2.768 dB
2:	210.333MHz	-11.615 dB
3:	202.750MHz	-15.605 dB
4:	191.500MHz	-40.656 dB
5:	221.500MHz	-33.783 dB