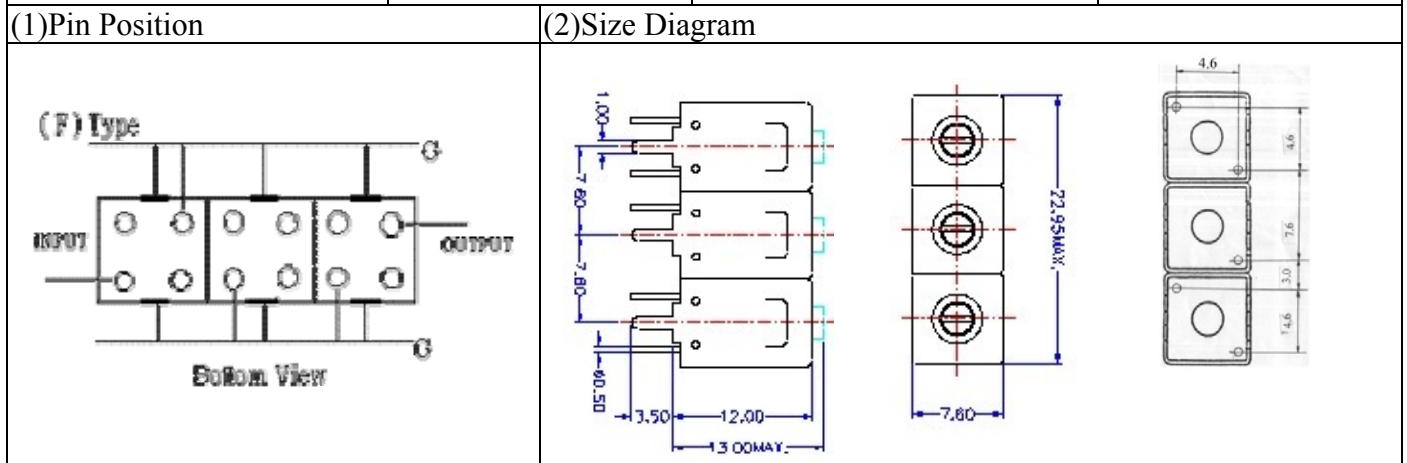


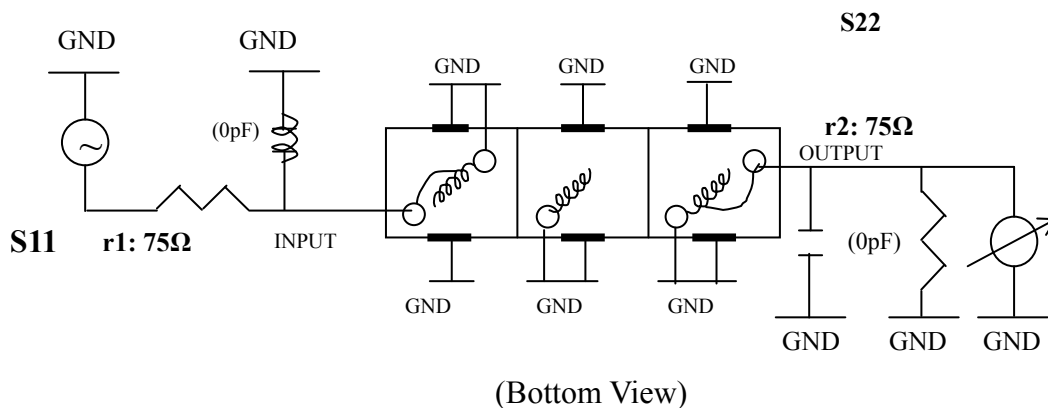
# VHF UHF Helical Filter Specification Sheet

Customer Name		Temwell's Part No.	TTL63119F-185.5M
Approval No. /dated	0701040APR	Acceptable Specify Fo Range	166~195 MHz
Work Instruction No.	0701040DC	Date	Jan.15.2006



Item		Specify	Performance
Center Freq.(Fo) +/- 0.5 %		185.5 MHz	185.5 MHz
Tunable Range		185.5±2 MHz	185.5±2 MHz
Insertion Loss		Typ. 3.5 dB	2.72 dB
-3 dB Bandwidth		Typ. 7 MHz	8.2 MHz
Sensitivity (Attenuation)	Fo - 10 MHz	Typ. 25 dB	28 dB
	Fo + 10 MHz	Typ. 17 dB	20 dB
	Fo - ( )MHz	Typ. dB	dB
	Fo +( )MHz	Typ. dB	dB
Return Loss		Min. 12 dB	30.5 dB
Ripple		< 1 dB	dB
Impedance		In / Out : 75 Ω	In / Out : 75 Ω
(4) Torque for Tuning Screw		> 100gf · cm	
(5) Temperature Condition:			
Operating Temperature		-0°C ~ +60°C	
Storage Temperature		-20°C ~ +70°C	
(6) Input Power		> 1Watt	

(7) Measuring Circuit: ※Easy to match Impedance S11/S22 75Ω by parallel with about(0pF)/(0pF).



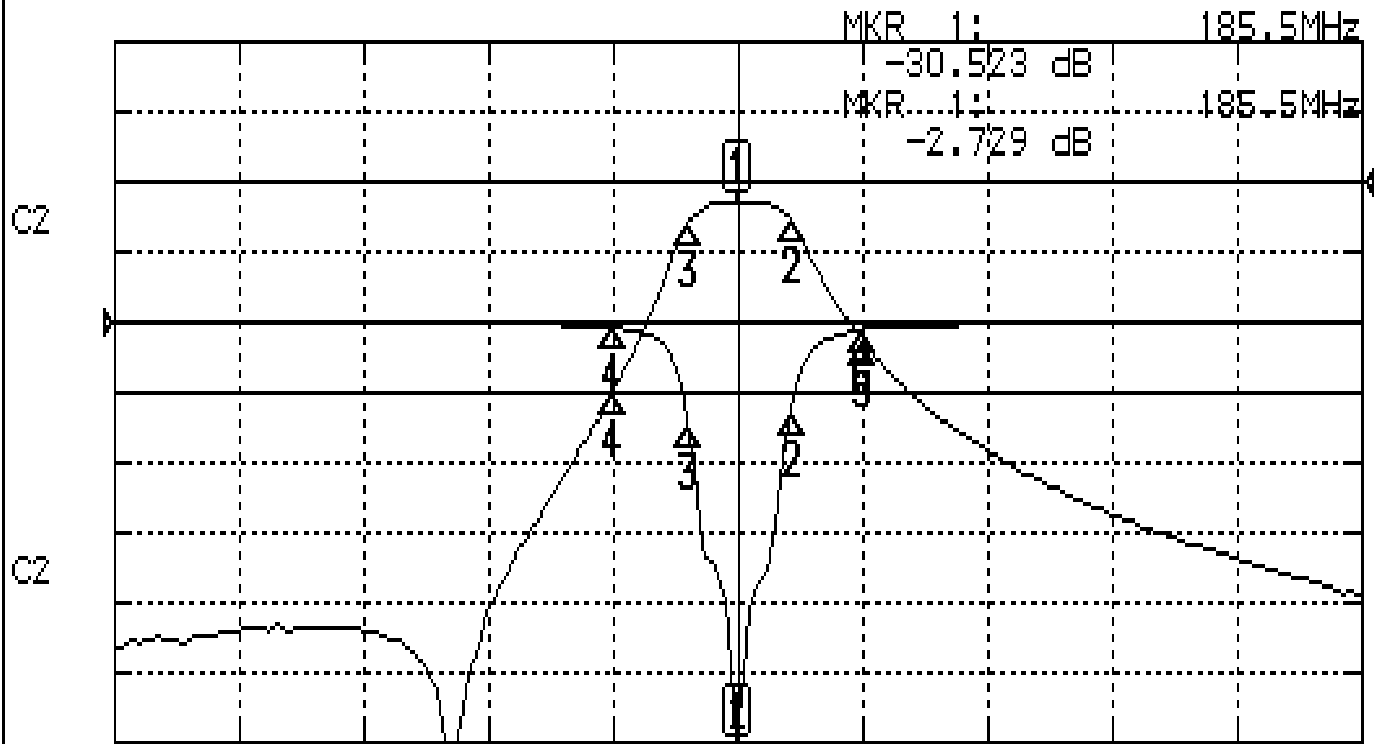
Approval	Supervisor	Designer	Aperture size
C.Y.Chang	C.S.Chang	W.W.Wang	7H3(4*6.5)F 7H024LB4

TEMWELL CORPORATION

# Performance-TTL63119F-185.5M

## 0701040DC

CH1 S11 LOG MAG REF 0.000 dB 5.000 dB/  
 CH2 S21 LOG MAG REF 0.000 dB 10.000 dB/



CENTER 185.5MHz

[ 10.00 dBm ]

SPAN 100MHz

### CH1 MARKER LIST

1:	185.500MHz	-30.523	dB
2:	189.750MHz	-6.510	dB
3:	181.583MHz	-7.396	dB
4:	175.500MHz	-0.345	dB
5:	195.500MHz	-0.490	dB

### CH2 MARKER LIST

1:	185.500MHz	-2.729	dB
2:	189.750MHz	-15.603	dB
3:	181.583MHz	-10.807	dB
4:	175.500MHz	-30.000	dB
5:	195.500MHz	-22.653	dB