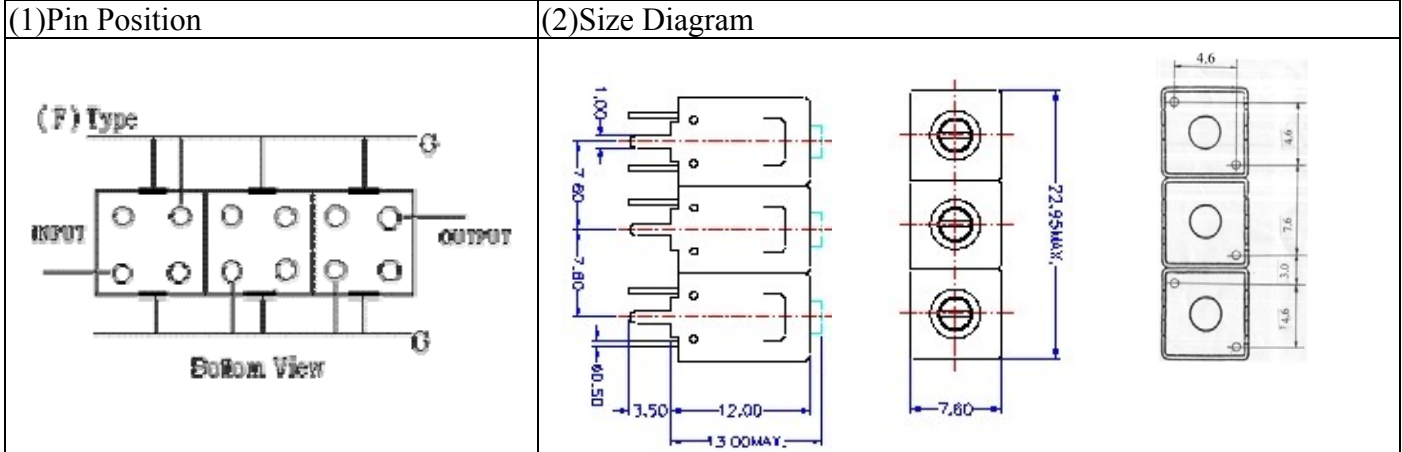


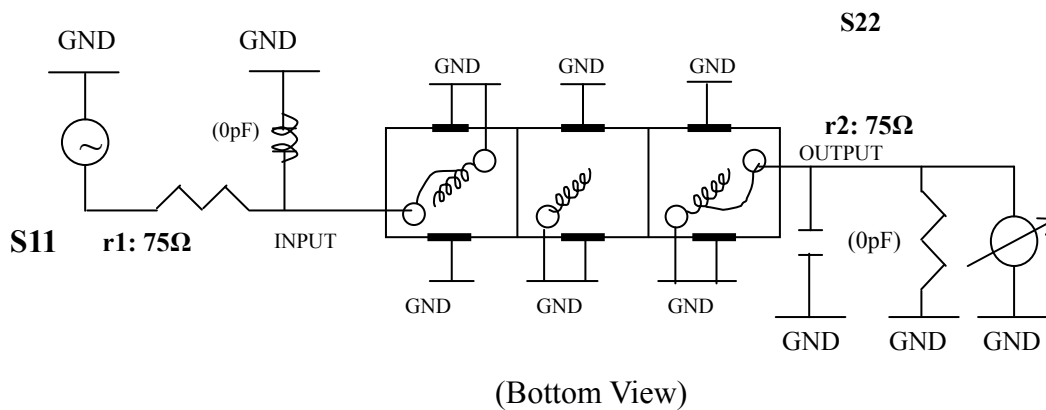
VHF UHF Helical Filter Specification Sheet

Customer Name		Temwell's Part No.	TTL63116F-164.5M
Approval No. /dated	0701037APR	Acceptable Specify Fo Range	146~165 MHz
Work Instruction No.	0701037DC	Date	Jan.15.2006



(3) Electric Characteristic			
Item		Specify	Performance
Center Freq.(Fo) +/- 0.5 %		164.5 MHz	164.5 MHz
Tunable Range		164.5±2 MHz	164.5±2 MHz
Insertion Loss		Typ. 4.0 dB	3.05 dB
-3 dB Bandwidth		Typ. 7 MHz	8.1 MHz
Sensitivity (Attenuation)	Fo - 10 MHz	Typ. 26 dB	29 dB
	Fo + 10 MHz	Typ. 21 dB	24 dB
	Fo - ()MHz	Typ. dB	dB
	Fo +()MHz	Typ. dB	dB
Return Loss		Min. 12 dB	20.5 dB
Ripple		< 1 dB	dB
Impedance		In / Out : 75 Ω	In / Out : 75 Ω
(4) Torque for Tuning Screw		> 100gf • cm	
(5) Temperature Condition:			
Operating Temperature		-0°C ~ +60°C	
Storage Temperature		-20°C ~ +70°C	
(6) Input Power		> 1Watt	

(7) Measuring Circuit: ※Easy to match Impedance S11/S22 75Ω by parallel with about(0pF)/(0pF).

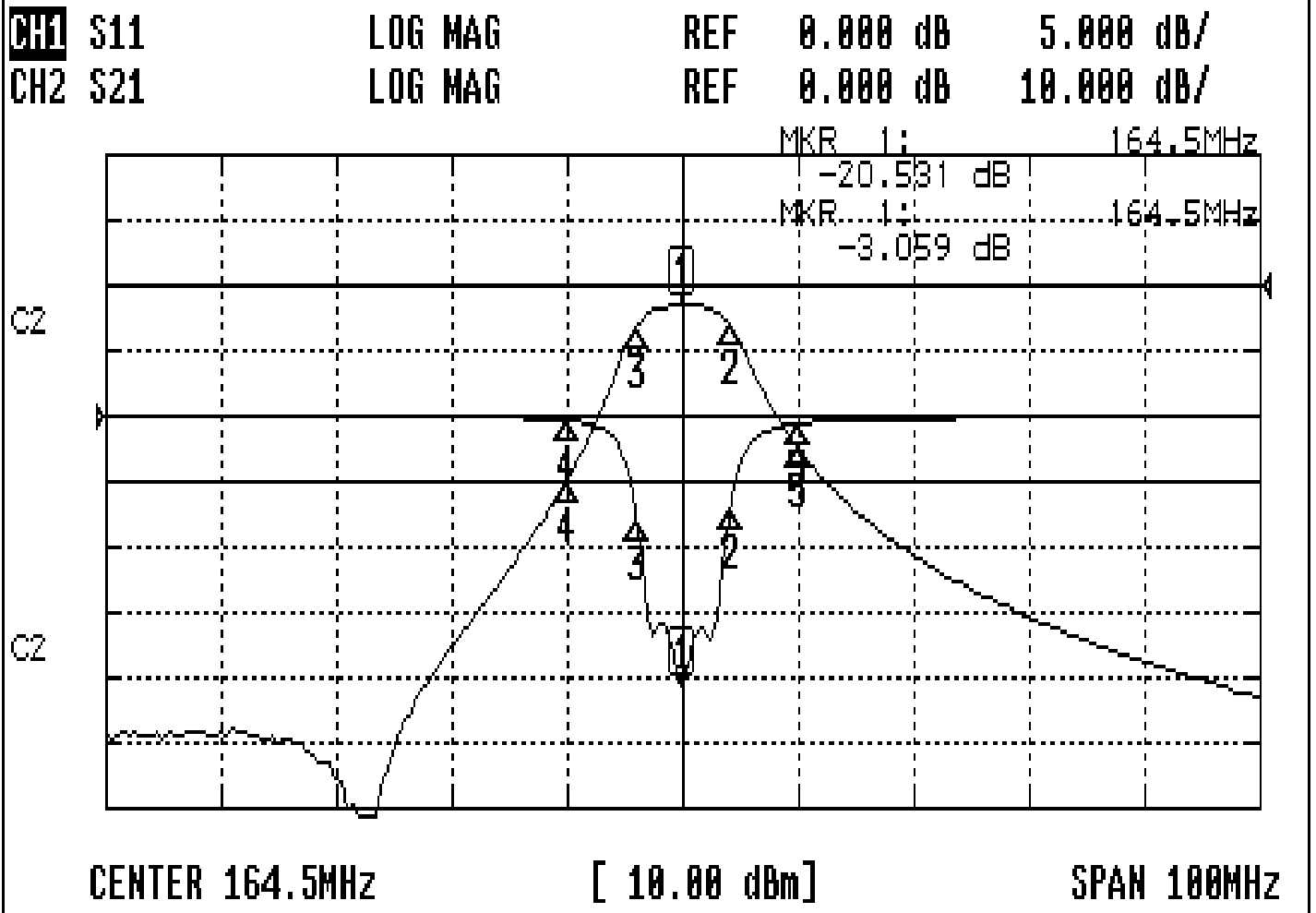


Approval	Supervisor	Designer	Aperture size
C.Y.Chang	C.S.Chang	W.W.Wang	7H3(4*5.5)F 7H024LB4

TEMWELL CORPORATION

Performance-TTL63116F-164.5M

0701037DC



CH1 MARKER LIST

1:	164.500MHz	-20.531 dB
2:	168.666MHz	-6.942 dB
3:	160.583MHz	-7.886 dB
4:	154.500MHz	-0.331 dB
5:	174.500MHz	-0.562 dB

CH2 MARKER LIST

1:	164.500MHz	-3.059 dB
2:	168.666MHz	-6.129 dB
3:	160.583MHz	-6.193 dB
4:	154.500MHz	-29.775 dB
5:	174.500MHz	-24.763 dB