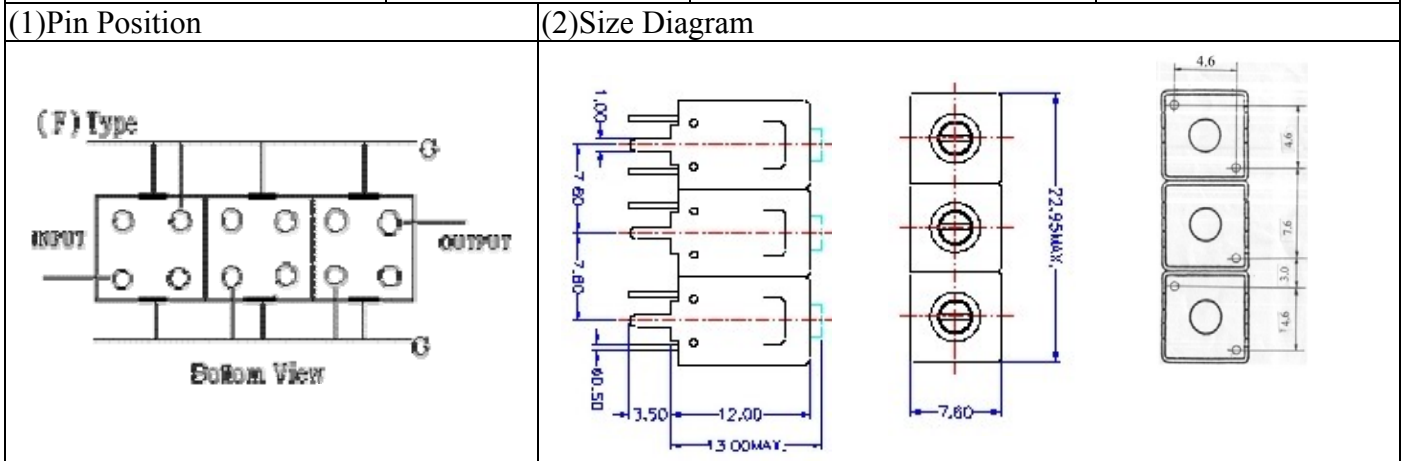


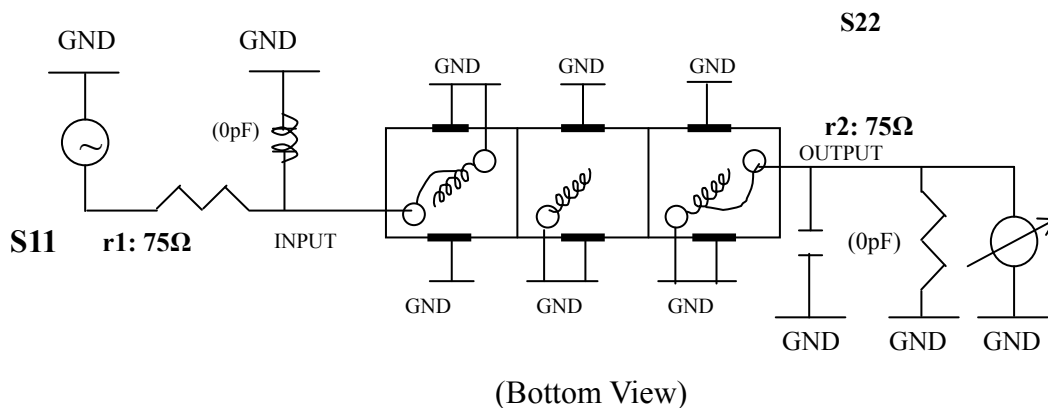
VHF UHF Helical Filter Specification Sheet

Customer Name		Temwell's Part No.	TTL63113F-143.5M
Approval No. /dated	0701034APR	Acceptable Specify Fo Range	126~145 MHz
Work Instruction No.	0701034DC	Date	Jan.15.2006



Item		Specify	Performance
Center Freq.(Fo) +/- 0.5 %		143.5 MHz	143.5 MHz
Tunable Range		143.5±2 MHz	143.5±2 MHz
Insertion Loss		Typ. 4.5 dB	3.20 dB
-3 dB Bandwidth		Typ. 7 MHz	7.5 MHz
Sensitivity (Attenuation)	Fo - 10 MHz	Typ. 29 dB	32 dB
	Fo + 10 MHz	Typ. 24 dB	27 dB
	Fo - ()MHz	Typ. dB	dB
	Fo +()MHz	Typ. dB	dB
Return Loss		Min. 12 dB	22.5 dB
Ripple		< 1 dB	dB
Impedance		In / Out : 75 Ω	In / Out : 75 Ω
(4) Torque for Tuning Screw		> 100gf · cm	
(5) Temperature Condition:			
Operating Temperature		-0°C ~ +60°C	
Storage Temperature		-20°C ~ +70°C	
(6) Input Power		> 1Watt	

(7) Measuring Circuit: ※Easy to match Impedance S11/S22 75Ω by parallel with about(0pF)/(0pF).



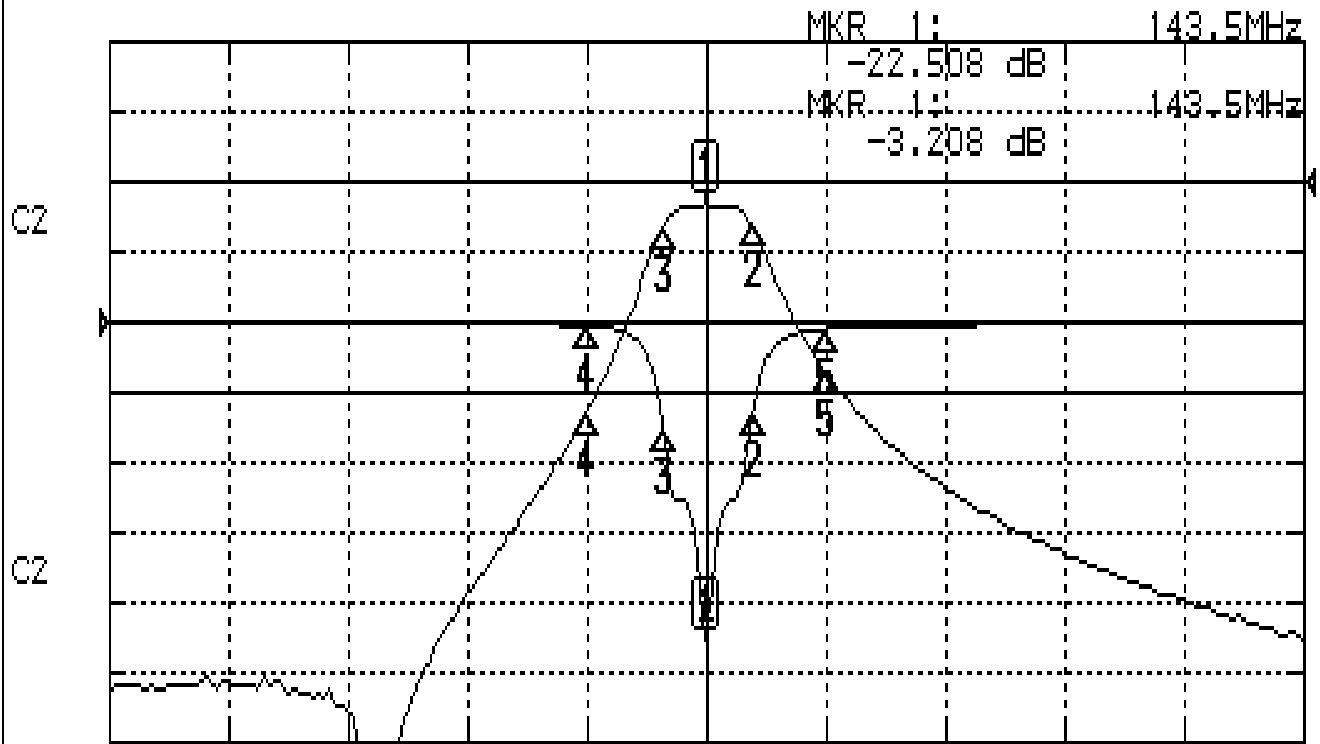
Approval	Supervisor	Designer	Aperture size
C.Y.Chang	C.S.Chang	W.W.Wang	7H3(4*5.5)F 7H00LB4

TEMWELL CORPORATION

Performance-TTL63113F-143.5M

0701034DC

CH1 S11 LOG MAG REF 0.000 dB 5.000 dB/
CH2 S21 LOG MAG REF 0.000 dB 10.000 dB/



CENTER 143.5MHz

[10.00 dBm]

SPAN 100MHz

CH1 MARKER LIST

1	143.500MHz	-22.508 dB
2	147.416MHz	-6.440 dB
3	139.916MHz	-7.649 dB
4	133.500MHz	-0.226 dB
5	153.500MHz	-0.457 dB

CH2 MARKER LIST

1	143.500MHz	-3.209 dB
2	147.416MHz	-6.202 dB
3	139.916MHz	-6.123 dB
4	133.500MHz	-32.860 dB
5	153.500MHz	-27.011 dB