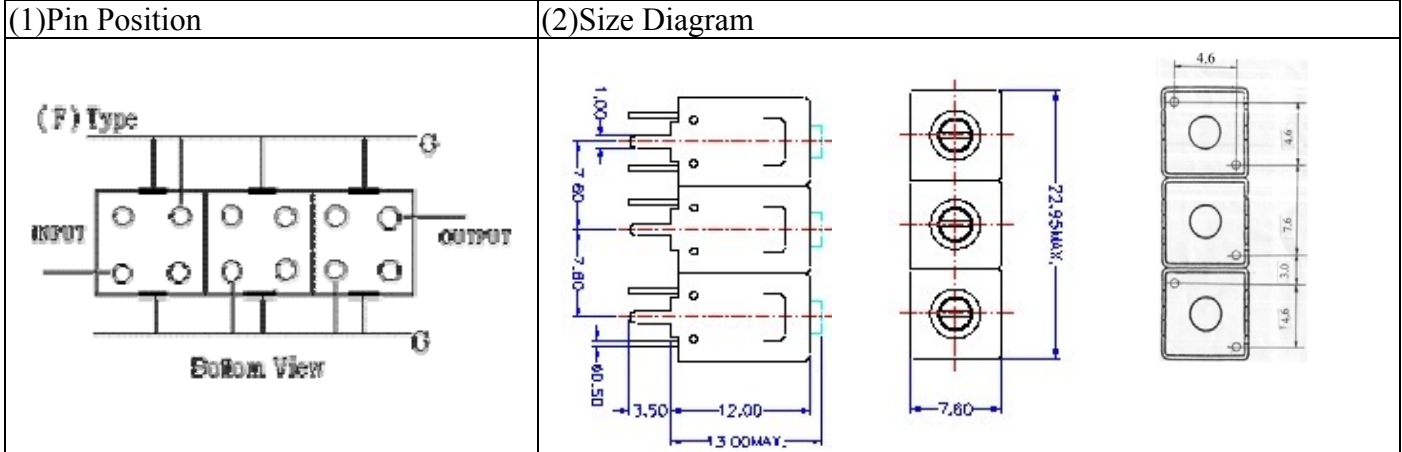


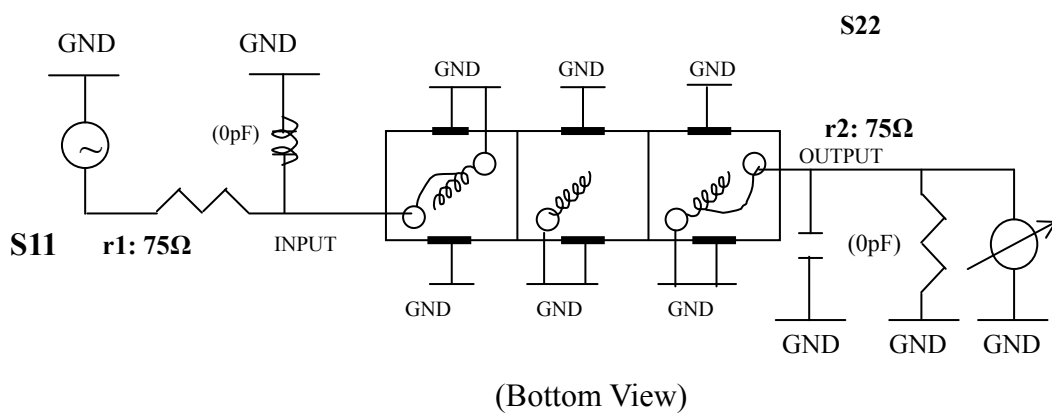
# VHF UHF Helical Filter Specification Sheet

Customer Name		Temwell's Part No.	TTL63109F-115.5M
Approval No. /dated	0701030APR	Acceptable Specify Fo Range	108~125 MHz
Work Instruction No.	0701030DC	Date	Jan.15.2006



(3) Electric Characteristic			
Item	Specify	Performance	
Center Freq.(Fo) +/- 0.5 %	115.5 MHz	115.5 MHz	
Tunable Range	115.5±2 MHz	115.5±2 MHz	
Insertion Loss	Typ. 4.0 dB	2.91 dB	
-3 dB Bandwidth	Typ. 7 MHz	8 MHz	
Sensitivity (Attenuation)	Fo - 10 MHz	Typ. 22 dB	25 dB
	Fo + 10 MHz	Typ. 22 dB	25 dB
	Fo - ( )MHz	Typ. dB	dB
	Fo +( )MHz	Typ. dB	dB
Return Loss	Min. 12 dB	37.1 dB	
Ripple	< 1 dB	dB	
Impedance	In / Out : 75 Ω	In / Out : 75 Ω	
(4) Torque for Tuning Screw			
		> 100gf • cm	
(5) Temperature Condition:			
Operating Temperature		-0°C ~ +60°C	
Storage Temperature		-20°C ~ +70°C	
(6) Input Power		> 1Watt	

(7) Measuring Circuit: ※Easy to match Impedance S11/S22 75Ω by parallel with about(0pF)/(0pF).



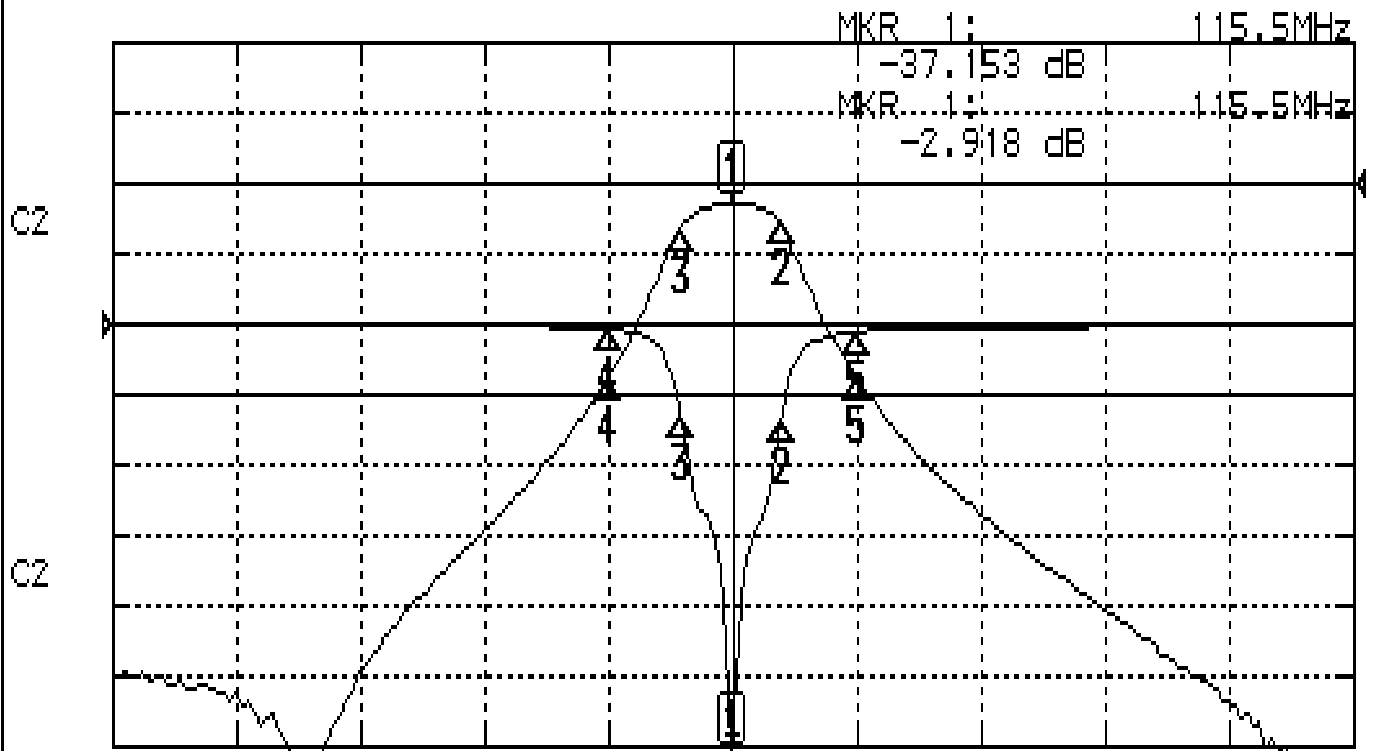
Approval	Supervisor	Designer	Aperture size
C.Y.Chang	C.S.Chang	W.W.Wang	7H3(4*5.5)F 7H00LB/7H00LB6

TEMWELL CORPORATION

# Performance-TTL63109F-115.5M

## 0701030DC

CH1 S11 LOG MAG REF 0.000 dB 5.000 dB/  
CH2 S21 LOG MAG REF 0.000 dB 10.000 dB/



CENTER 115.5MHz

[ 10.00 dBm ]

SPAN 100MHz

### CH1 MARKER LIST

1:	115.500MHz	-37.153	dB
2:	119.416MHz	-16.655	dB
3:	111.416MHz	-16.636	dB
4:	105.500MHz	-0.323	dB
5:	125.500MHz	-0.495	dB
6:			
7:			
8:			
9:			
10:			

### CH2 MARKER LIST

1:	115.500MHz	-2.918	dB
2:	119.416MHz	-16.945	dB
3:	111.416MHz	-16.892	dB
4:	105.500MHz	-27.564	dB
5:	125.500MHz	-27.479	dB
6:			
7:			
8:			
9:			
10:			