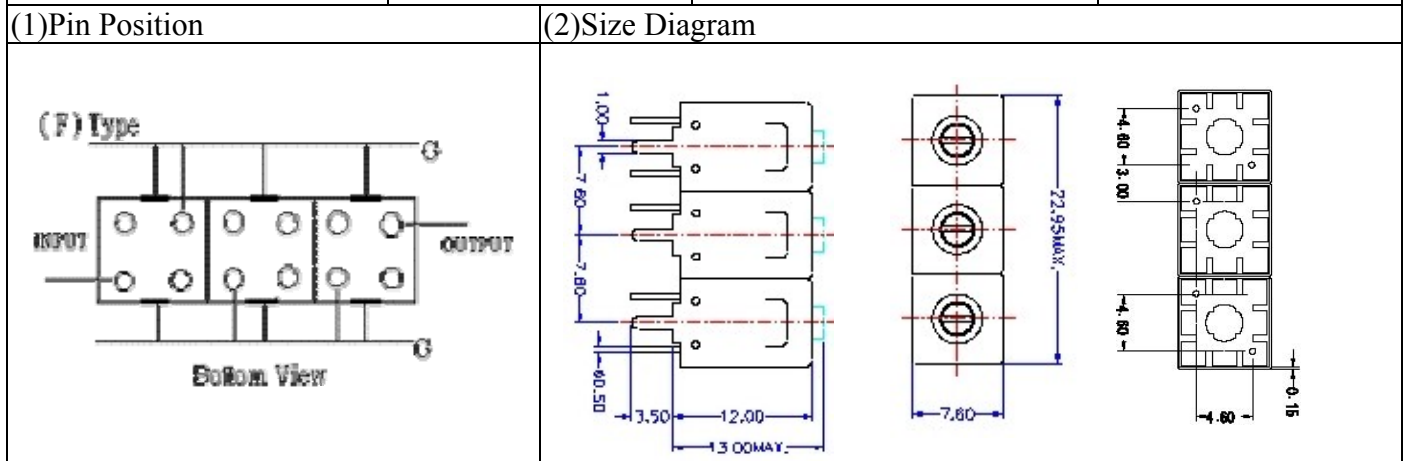


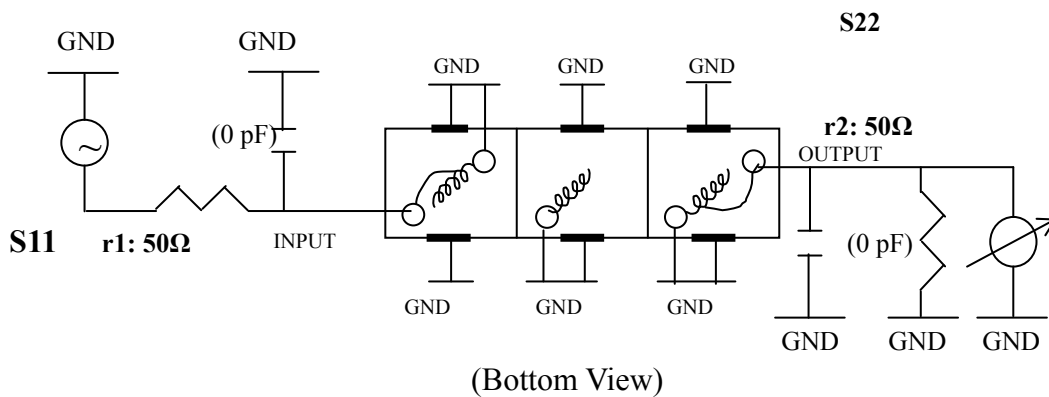
VHF UHF Helical Filter Specification Sheet

Customer Name		Temwell's Part No.	TTL63108F-108.5M
Approval No. /dated	0701029APR	Acceptable Specify Fo Range.	108~125M
Work Instruction No.	0701029DC	Date	Feb.05.2007



(3) Electric Chararistic			
Item	Specify	Performance	
Center Freq.(Fo) +/- 0.5 %	108.5 MHz	108.5 MHz	
Tunable Range:	108.5±2 MHz	108.5±2 MHz	
Insertion Loss	Typ. 4.0 dB	2.96 dB	
-3 dB Bandwidth	Typ. 6 MHz	7.4 MHz	
Sensitivity (Attenuation)	Fo - 15 MHz	Typ. 38 dB	41 dB
	Fo + 15 MHz	Typ. 34 dB	37 dB
	Fo - ()MHz	Typ. dB	dB
	Fo +()MHz	Typ. dB	dB
Return Loss	Min. 12 dB	22.2 dB	
Ripple	< 1 dB	dB	
Impedance	In / Out : 75 Ω	In / Out : 75 Ω	
(4) Torque for Tuning Screw			
> 100gf · cm			
(5) Temperature Condition:			
Operating Temperature	0°C ~ +60°C		
Storage Temperature	-20°C ~ +70°C		
(6) Input Power			
> 1Watt			

(7) Measuring Circuit: ※Easy to match Impedance S11/S22 75Ω by parallel with about(0 pF) / (0 pF).



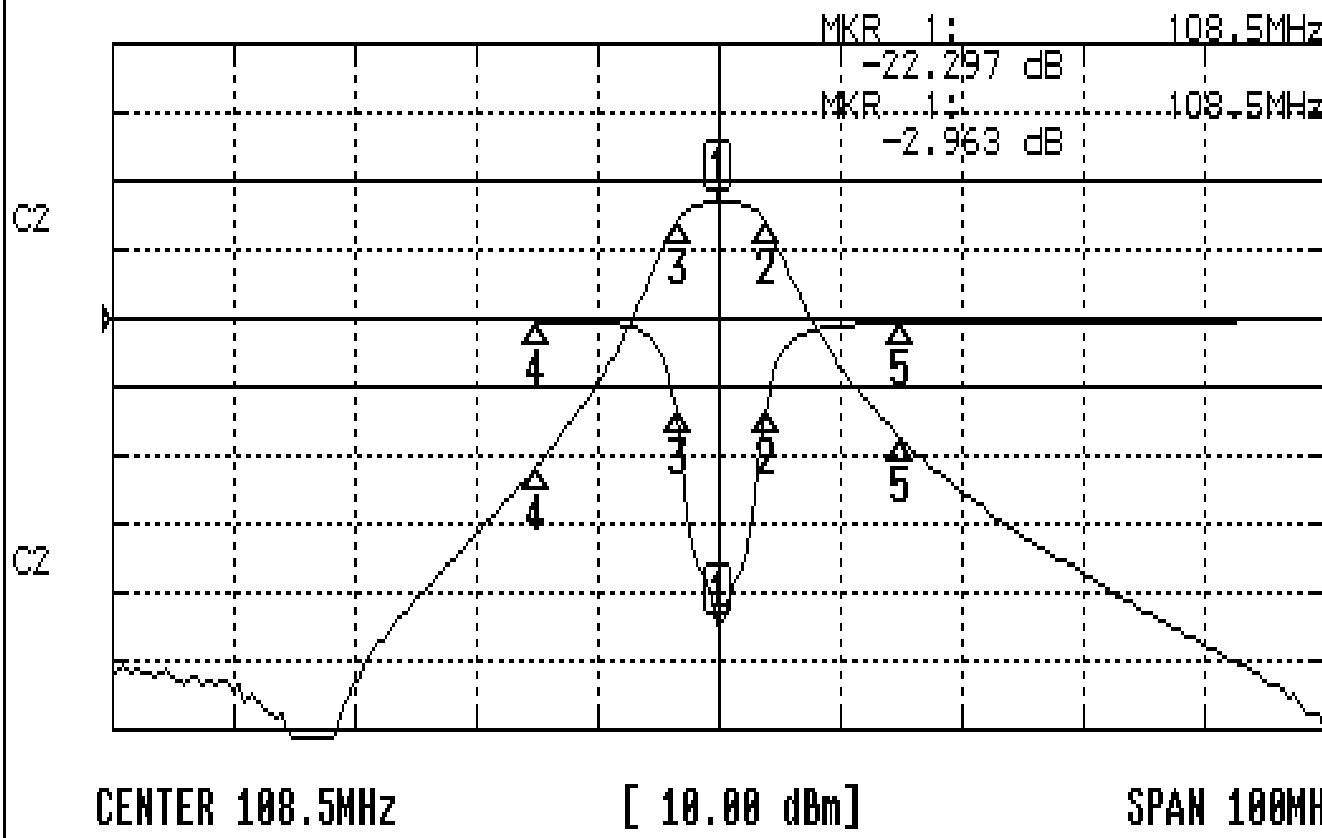
Approval	Supervisor	Designer	Aperture size
C.Y.Chang	C.S.Chang	J.F.Lin	7H3(4*5.5F) 7H00LB4/7H00LB6

TEMWELL CORPORATION

Performance-TTL63108F-108.5M

0701029DC

CH1 S11 LOG MAG REF 0.000 dB 5.000 dB/
CH2 S21 LOG MAG REF 0.000 dB 10.000 dB/



CH1 MARKER LIST

1:	108.500MHz	-22.297	dB
2:	112.416MHz	-6.656	dB
3:	105.000MHz	-6.904	dB
4:	93.500MHz	-0.148	dB
5:	123.500MHz	-0.300	dB

CH2 MARKER LIST

1:	108.500MHz	-2.963	dB
2:	112.416MHz	-1.100	dB
3:	105.000MHz	-5.000	dB
4:	93.500MHz	-41.733	dB
5:	123.500MHz	-37.399	dB