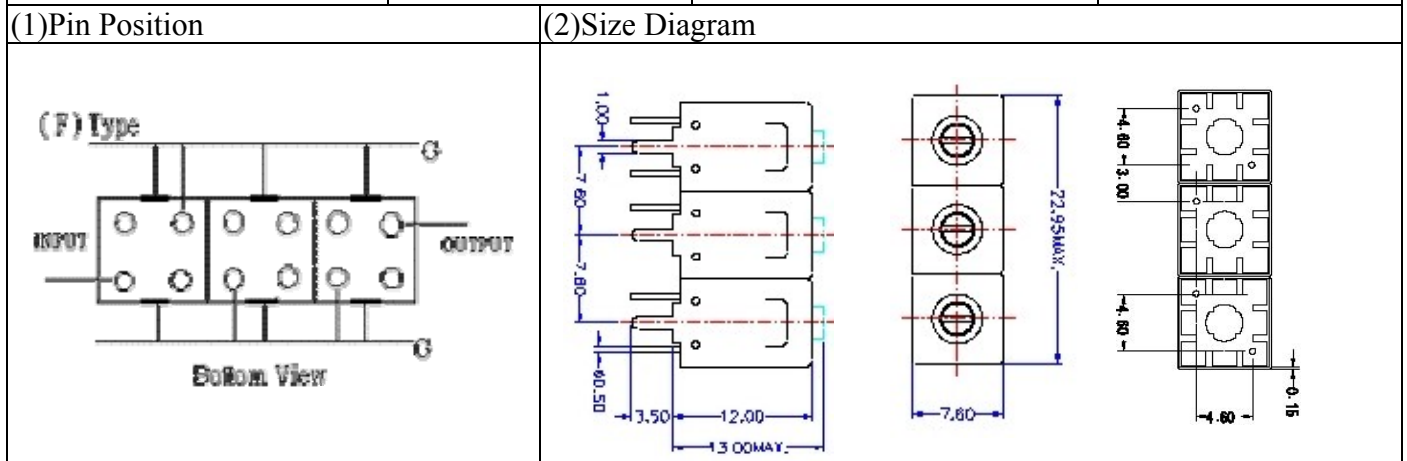


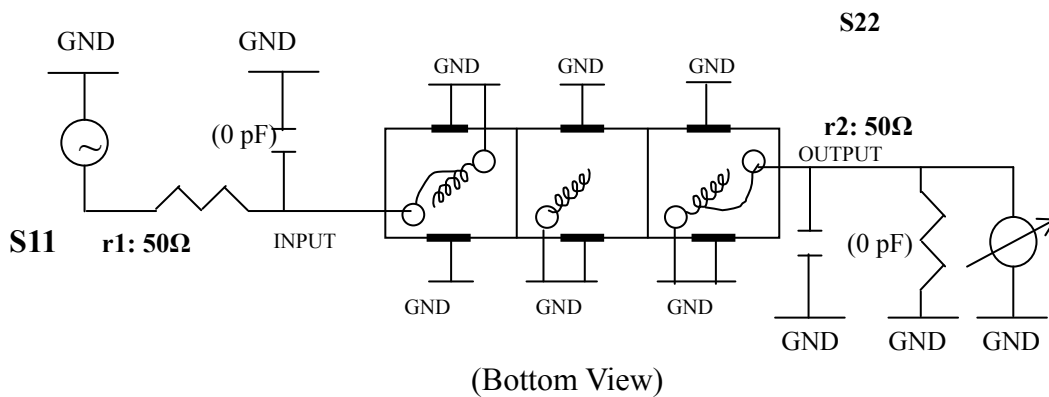
VHF UHF Helical Filter Specification Sheet

Customer Name		Temwell's Part No.	TTL63107F-100.5M
Approval No. /dated	0701028APR	Acceptable Specify Fo Range.	96~107M
Work Instruction No.	0701028DC	Date	Feb.05.2007



Item		Specify	Performance
Center Freq.(Fo) +/- 0.5 %		100.5 MHz	100.5 MHz
Tunable Range:		100.5±2 MHz	100.5±2 MHz
Insertion Loss		Typ. 4.0 dB	3.06 dB
-3 dB Bandwidth		Typ. 6 MHz	7.0 MHz
Sensitivity (Attenuation)	Fo - 15 MHz	Typ. 40 dB	43 dB
	Fo + 15 MHz	Typ. 33 dB	36 dB
	Fo - ()MHz	Typ. dB	dB
	Fo +()MHz	Typ. dB	dB
Return Loss		Min. 12 dB	30.8 dB
Ripple		< 1 dB	dB
Impedance		In / Out : 75 Ω	In / Out : 75 Ω
(4) Torque for Tuning Screw		> 100gf · cm	
(5) Temperature Condition:			
Operating Temperature		0°C ~ +60°C	
Storage Temperature		-20°C ~ +70°C	
(6) Input Power		> 1Watt	

(7) Measuring Circuit: ※Easy to match Impedance S11/S22 75Ω by parallel with about(0 pF) / (0 pF).

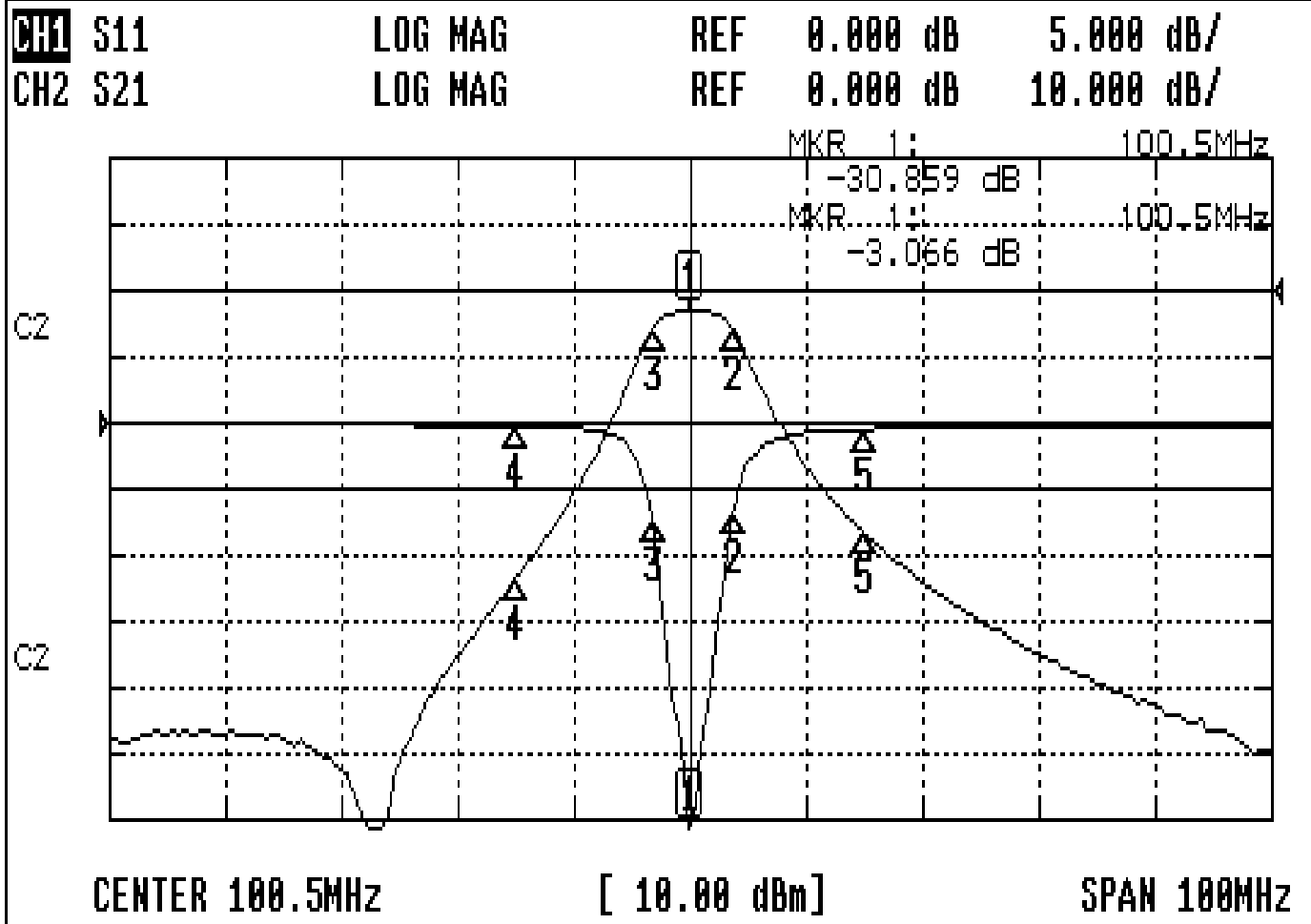


Approval	Supervisor	Designer	Aperture size
C.Y.Chang	C.S.Chang	J.F.Lin	7H3(4*5.5F) 7H00LB4/7H00LB6

TEMWELL CORPORATION

Performance-TTL63107F-100.5M

0701028DC



CH1 MARKER LIST

1	100.500MHz	-30.859	0.000000
2	104.250MHz	-1.100	0.000000
3	97.250MHz	-1.100	0.000000
4	85.500MHz	-1.200	0.000000
5	115.500MHz	-0.457	0.000000

CH2 MARKER LIST

1	100.500MHz	-3.066	0.000000
2	104.250MHz	-1.100	0.000000
3	97.250MHz	-1.100	0.000000
4	85.500MHz	-1.400	0.000000
5	115.500MHz	-0.527	0.000000