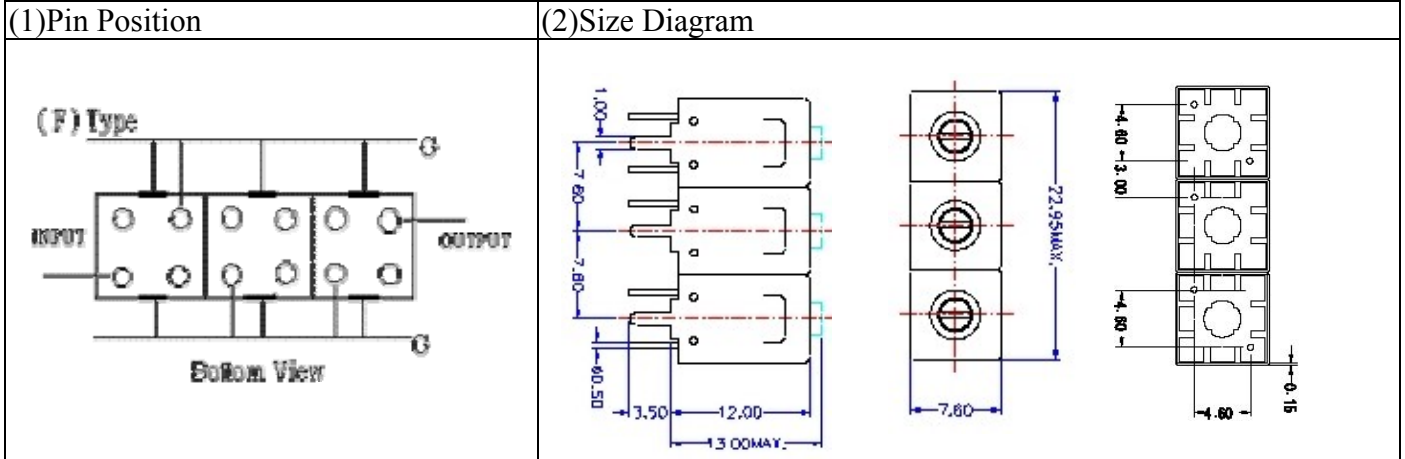


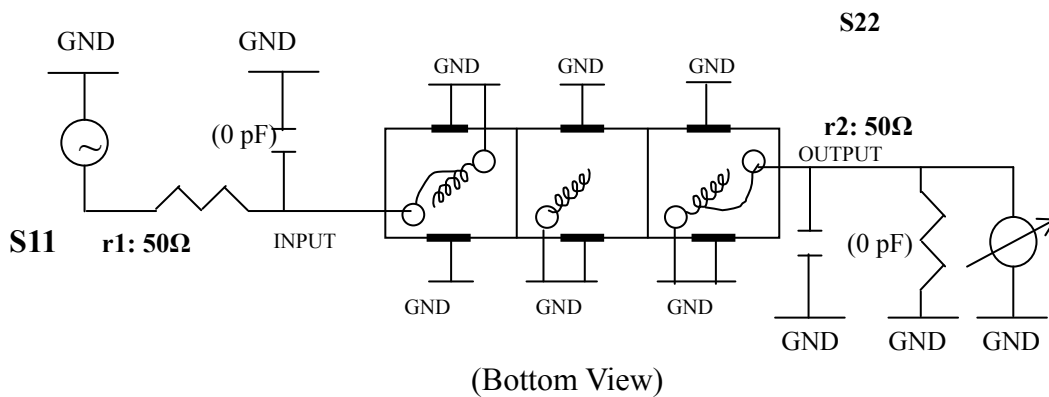
# VHF UHF Helical Filter Specification Sheet

Customer Name		Temwell's Part No.	TTL63105F-86.5M
Approval No. /dated	0701026APR	Acceptable Specify Fo Range.	86~95M
Work Instruction No.	0701026DC	Date	Feb.08.2007



(3) Electric Chararistic			
Item		Specify	Performance
Center Freq.(Fo) +/- 0.5 %		85.5 MHz	85.5 MHz
Tunable Range:		85±2 MHz	85.5±2 MHz
Insertion Loss		Typ. 4.0 dB	2.53 dB
-3 dB Bandwidth		Typ. 6 MHz	7.3 MHz
Sensitivity (Attenuation)	Fo - 15 MHz	Typ. 43 dB	46 dB
	Fo + 15 MHz	Typ. 38 dB	41 dB
	Fo - ( )MHz	Typ. dB	dB
	Fo +( )MHz	Typ. dB	dB
Return Loss		Min. 12 dB	32.3 dB
Ripple		< 1 dB	dB
Impedance		In / Out : 75 Ω	In / Out : 75 Ω
(4) Torque for Tuning Screw		> 100gf · cm	
(5) Temperature Condition:			
Operating Temperature		0°C ~ +60°C	
Storage Temperature		-20°C ~ +70°C	
(6) Input Power		> 1Watt	

(7) Measuring Circuit: ※Easy to match Impedance S11/S22 75Ω by parallel with about(0 pF) / (0 pF).



Approval	Supervisor	Designer	Aperture size
C.Y.Chang	C.S.Chang	J.F.Lin	7H3(4*6.5F) 7H00LB6/7H00LB4

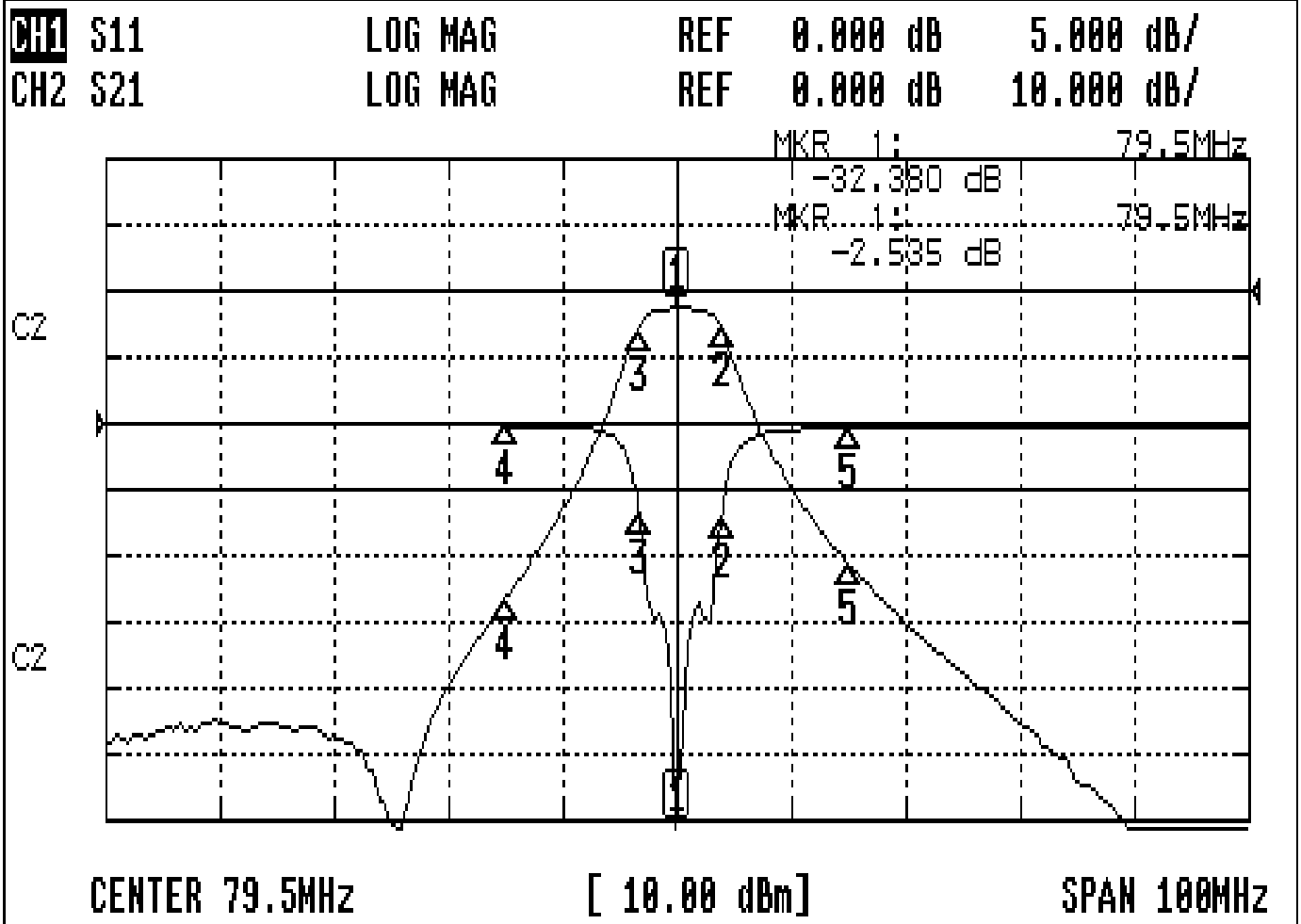
TEMWELL CORPORATION

TEMWELL

Form10-7H3F Vision D RP(J.F.Lin)

# Performance-TTL63105F-86.5M

## 0701026DC



### CH1 MARKER LIST

1	79.500MHz	-32.380	0.000
2	83.416MHz	-16.980	0.000
3	76.166MHz	-6.710	0.000
4	64.500MHz	-0.139	0.000
5	94.500MHz	-0.314	0.000

### CH2 MARKER LIST

1	79.500MHz	-2.534	0.000
2	83.416MHz	-16.540	0.000
3	76.166MHz	-16.527	0.000
4	64.500MHz	-46.472	0.000
5	94.500MHz	-41.182	0.000