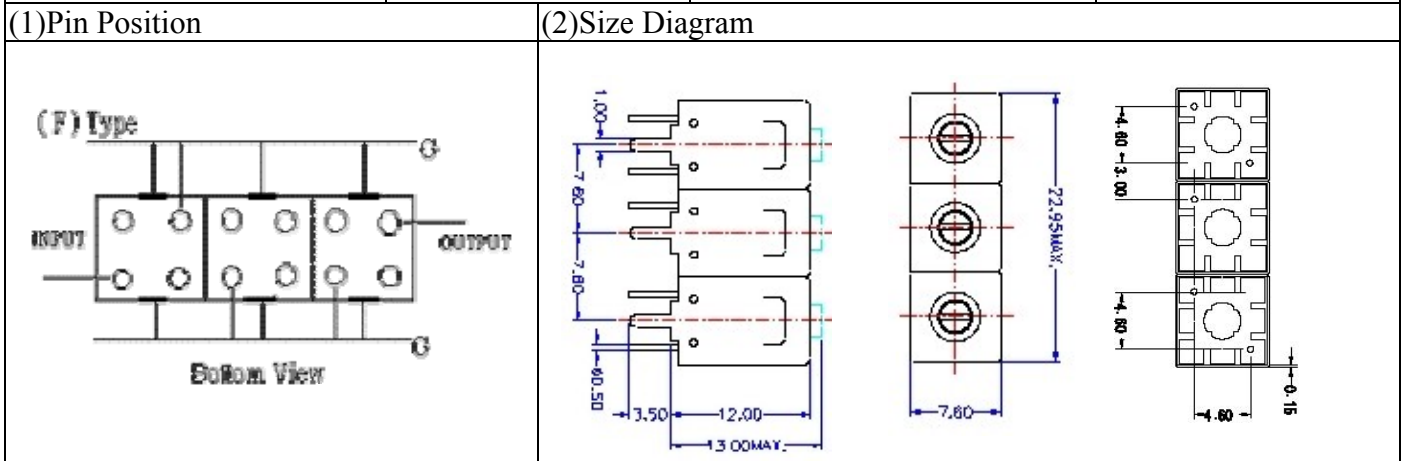


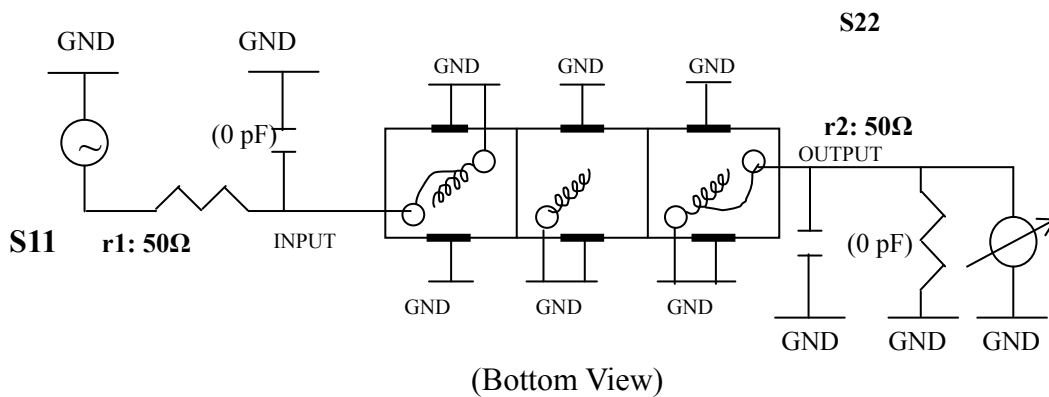
VHF UHF Helical Filter Specification Sheet

Customer Name		Temwell's Part No.	TTL63102F-65.5M
Approval No. /dated	0701023APR	Acceptable Specify Fo Range.	56~67M
Work Instruction No.	0701023DC	Date	Feb.09.2007



(3) Electric Chararistic		Item	Specify	Performance
Center Freq.(Fo) +/- 0.5 %			65.5 MHz	65.5 MHz
Tunable Range:			65.5±2 MHz	65.5±2 MHz
Insertion Loss			Typ. 3.0 dB	2.09 dB
-3 dB Bandwidth			Typ. 7 MHz	7.8 MHz
Sensitivity (Attenuation)	Fo - 15 MHz	Typ. 43 dB		46 dB
	Fo + 15 MHz	Typ. 33 dB		36 dB
	Fo - ()MHz	Typ. dB		dB
	Fo +()MHz	Typ. dB		dB
Return Loss			Min. 12 dB	42.6 dB
Ripple			< 1 dB	dB
Impedance			In / Out : 75 Ω	In / Out : 75 Ω
(4) Torque for Tuning Screw			> 100gf · cm	
(5) Temperature Condition:				
Operating Temperature			0°C ~ +60°C	
Storage Temperature			20°C ~ +70°C	
(6) Input Power			> 1Watt	

(7) Measuring Circuit: ※Easy to match Impedance S11/S22 75Ω by parallel with about(0 pF) / (0pF).



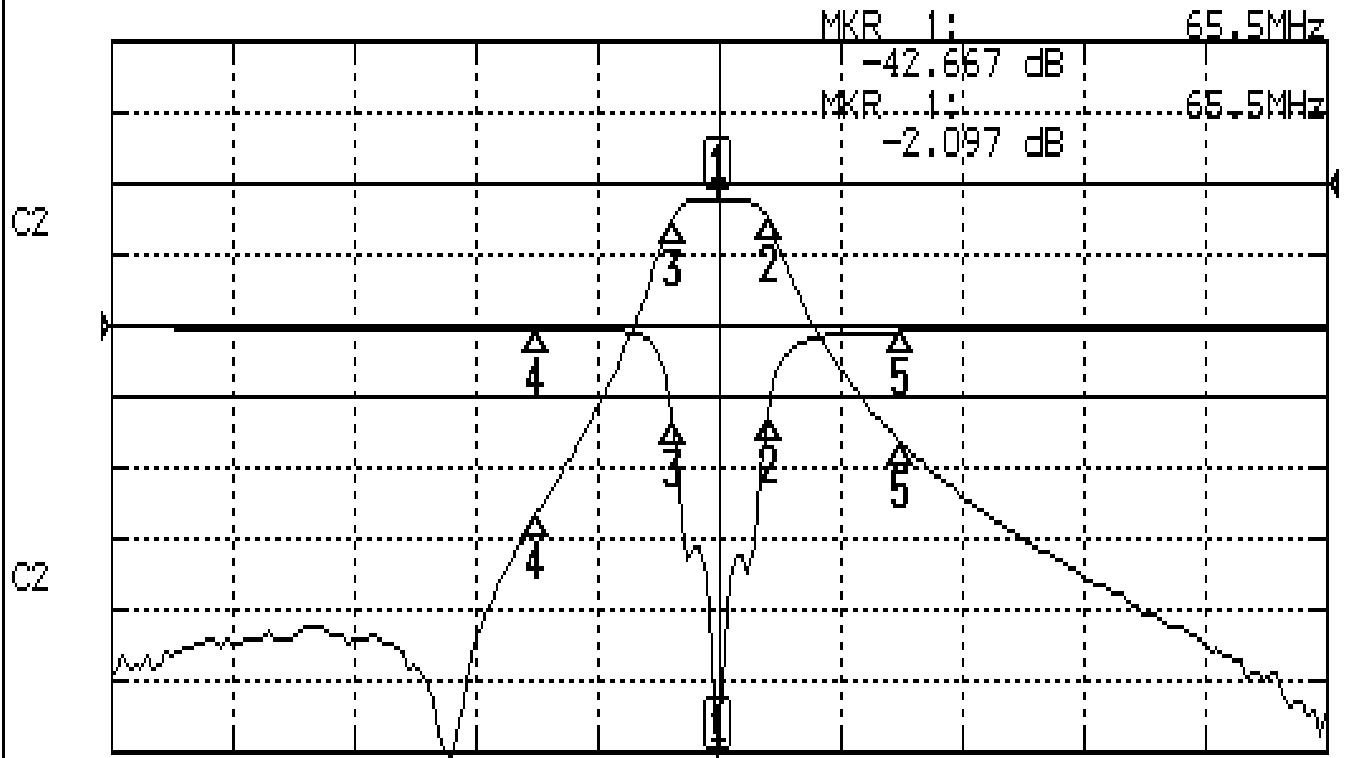
Approval	Supervisor	Designer	Aperture size
C.Y.Chang	C.S.Chang	J.F.Lin	7H3(4*7.5F) 7H00LB4/7H00LB6

TEMWELL CORPORATION

Performance-TTL63102F-65.5M

0701023DC

CH1 S11 LOG MAG REF 0.000 dB 5.000 dB/
CH2 S21 LOG MAG REF 0.000 dB 10.000 dB/



CENTER 65.5MHz

[10.00 dBm]

SPAN 100MHz

CH1 MARKER LIST

1	65.500MHz	-42.667 dB
2	69.500MHz	-6.494 dB
3	61.750MHz	-6.720 dB
4	50.500MHz	-0.227 dB
5	80.500MHz	-0.436 dB

CH2 MARKER LIST

1	65.500MHz	-2.097 dB
2	69.500MHz	-4.916 dB
3	61.750MHz	-4.849 dB
4	50.500MHz	-46.682 dB
5	80.500MHz	-36.454 dB