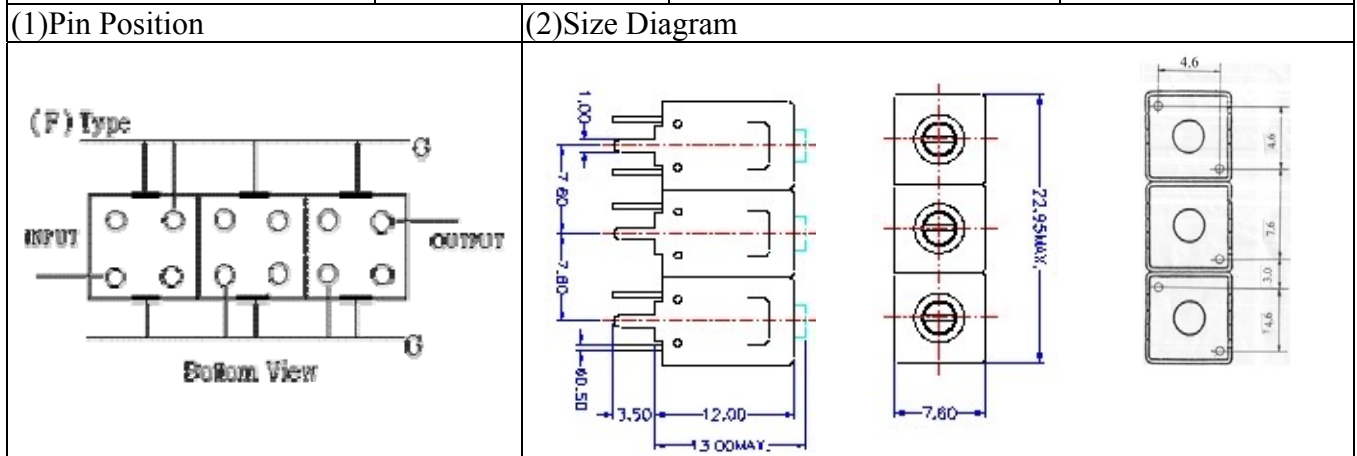


VHF UHF Helical Filter Specification Sheet

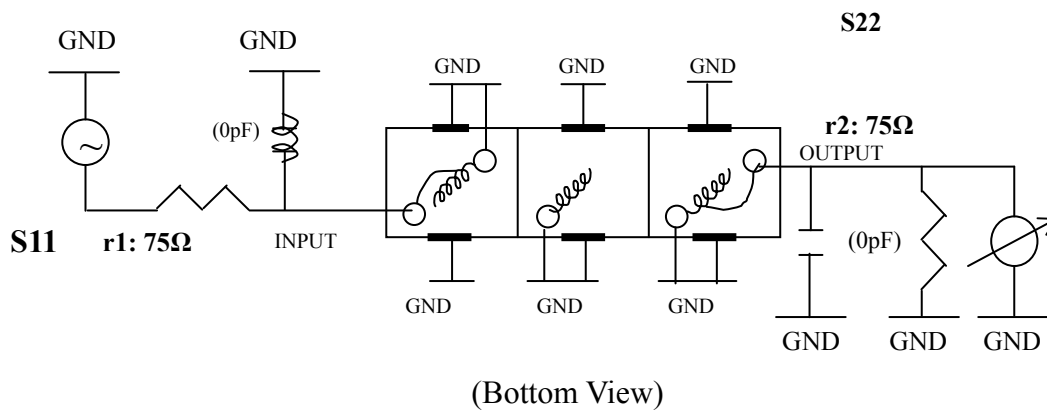
Customer Name		Temwell's Part No.	TTL6306F-175.25M
Approval No. /dated	0611031APR	Acceptable Specify Fo Range	166~195 MHz
Work Instruction No.	0611031DC	Date	Nov.21.2006



(3) Electric Characteristic		Item	Specify	Performance
Center Freq.(Fo) +/- 0.5 %			175.25 MHz	175.25 MHz
Tunable Range			175.25±2 MHz	175.25±2 MHz
Insertion Loss		Typ.	4.0 dB	3.22 dB
-3 dB Bandwidth		Typ.	6 MHz	6.9 MHz
Sensitivity (Attenuation)	Fo - 10 MHz	Typ.	26 dB	29 dB
	Fo + 10 MHz	Typ.	21 dB	24 dB
	Fo - ()MHz	Typ.	dB	dB
	Fo +()MHz	Typ.	dB	dB
Return Loss		Min.	12 dB	27.6 dB
Ripple			< 1 dB	dB
Impedance			In / Out : 75 Ω	In / Out : 75 Ω
(4) Torque for Tuning Screw			> 100gf · cm	

(5) Temperature Condition:	
Operating Temperature	-0°C ~ +60°C
Storage Temperature	-20°C ~ +70°C
(6) Input Power	> 1Watt

(7) Measuring Circuit: ※Easy to match Impedance S11/S22 75Ω by parallel with about(0pF)/(0pF).

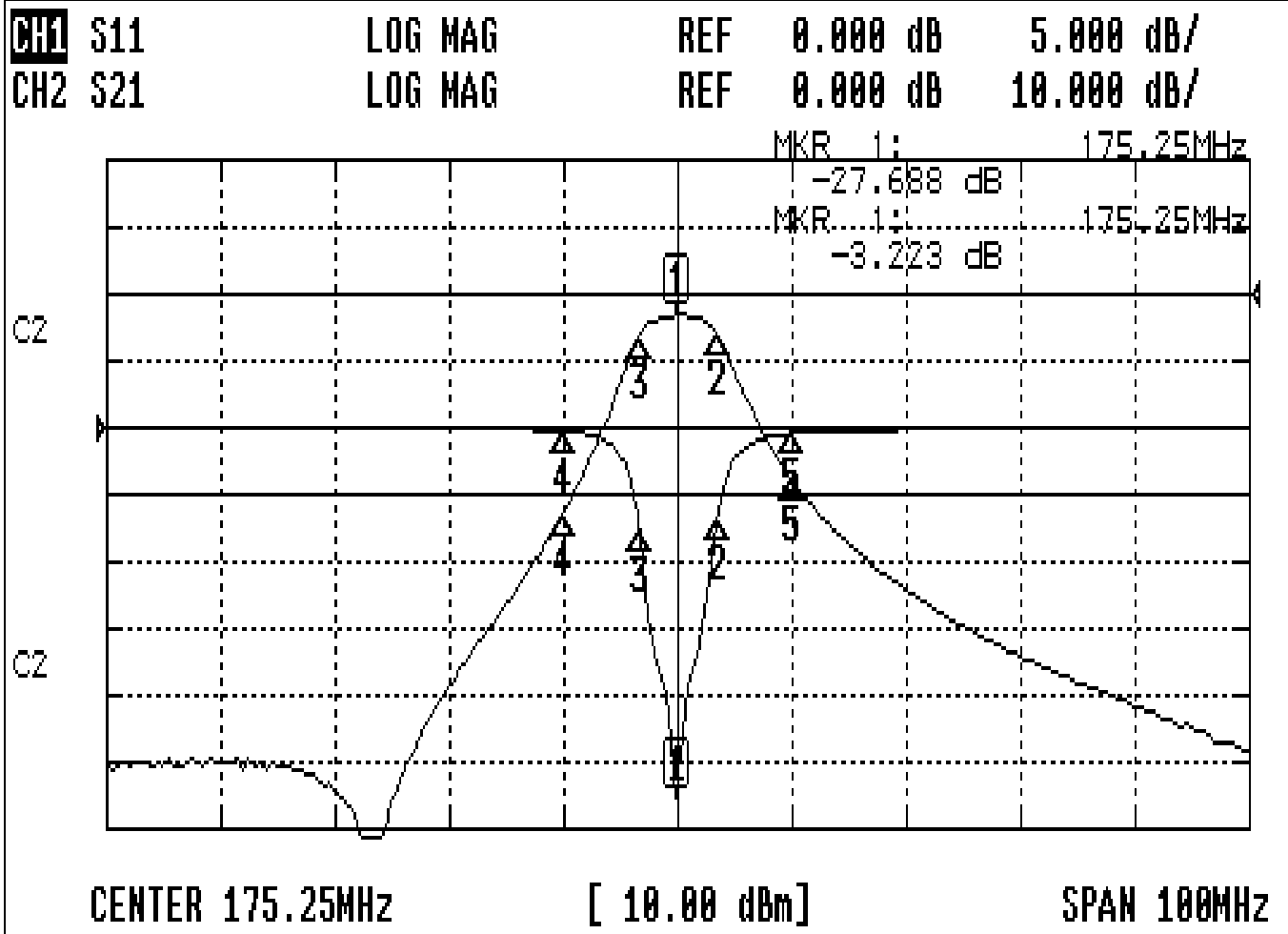


Approval	Supervisor	Designer	Aperture size
C.Y.Chang	C.S.Chang	W.W.Wang	7H3(4*5.5)F 7H024LB4

TEMWELL CORPORATION

Performance-TTL6306F-175.25M

0611031DC



CH1 MARKER LIST

1:	175.250MHz	-27.688	dB
2:	178.833MHz	-6.626	dB
3:	171.916MHz	-7.635	dB
4:	165.250MHz	-0.261	dB
5:	185.250MHz	-0.432	dB

CH2 MARKER LIST

1:	175.250MHz	-3.223	dB
2:	178.833MHz	-6.166	dB
3:	171.916MHz	-6.269	dB
4:	165.250MHz	-32.810	dB
5:	185.250MHz	-27.617	dB