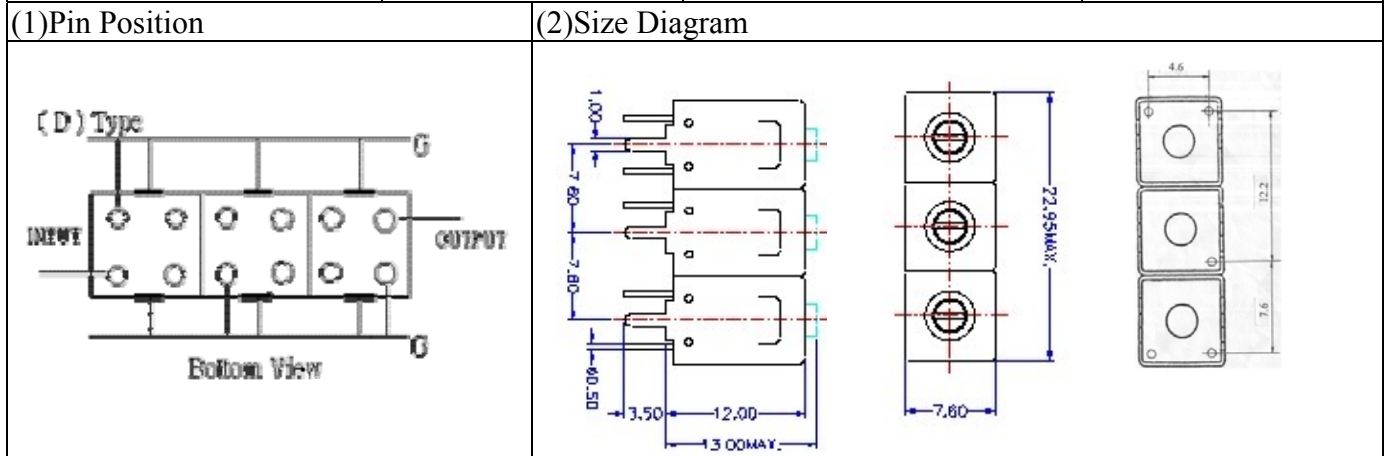


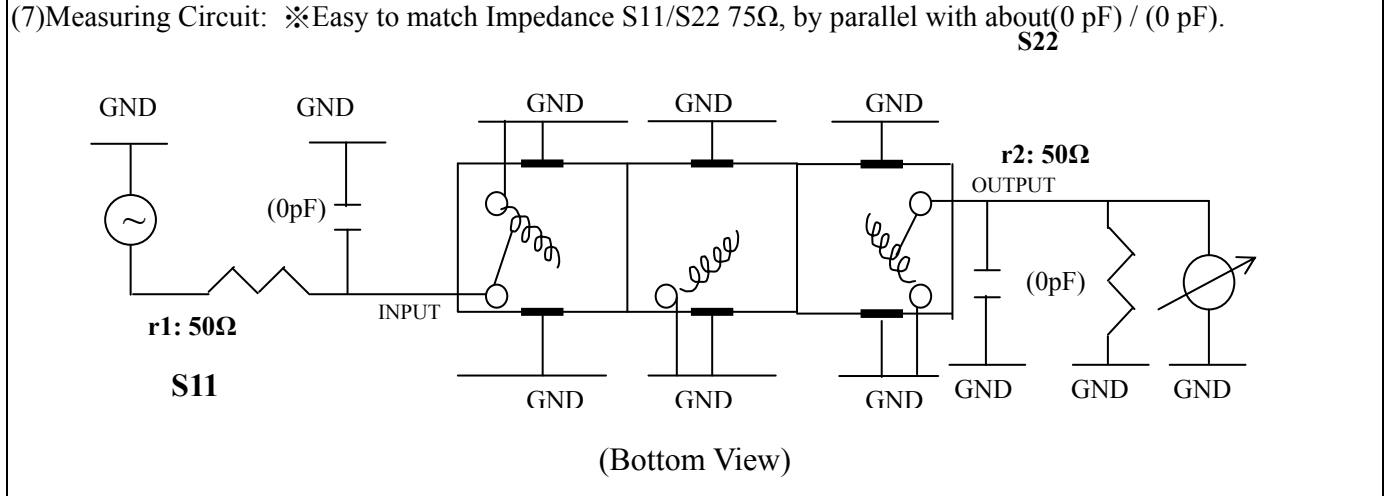
VHF UHF Helical Filter Specification Sheet

| | | | |
|----------------------|------------|-----------------------------|-----------------|
| Customer Name | | Temwell's Part No. | TTL6303D-67.25M |
| Approval No. /dated | 0611019APR | Acceptable Specify Fo Range | 56~67 MHz |
| Work Instruction No. | 0611019DC | Date | Nov.14.2006 |



(3) Electric Characteristic

| Item | Specify | Performance | |
|------------------------------|-----------------|-----------------|--------------|
| Center Freq.(Fo) +/- 0.5 % | 67.25 MHz | 67.25 MHz | |
| Tunable Range | 67.25±2 MHz | 67.25±2 MHz | |
| Insertion Loss | Typ. 3.5 dB | 2.29 dB | |
| -3 dB Bandwidth | Typ. 6 MHz | 6.9 MHz | |
| Sensitivity (Attenuation) | Fo - 10 MHz | Typ. 30 dB | 33 dB |
| | Fo + 10 MHz | Typ. 27 dB | 30 dB |
| | Fo - ()MHz | Typ. dB | dB |
| | Fo + ()MHz | Typ. dB | dB |
| Return Loss | Min. 12 dB | 25.2 dB | |
| Ripple | < 1 dB | dB | |
| Impedance | In / Out : 75 Ω | In / Out : 75 Ω | |
| (4) Torque for Tuning Screw | | | > 100gf · cm |
| (5) Temperature Condition: | | | |
| Operating Temperature | -0°C ~ +60°C | | |
| Storage Temperature | -20°C ~ +70°C | | |
| (6) Input Power | > 1Watt | | |

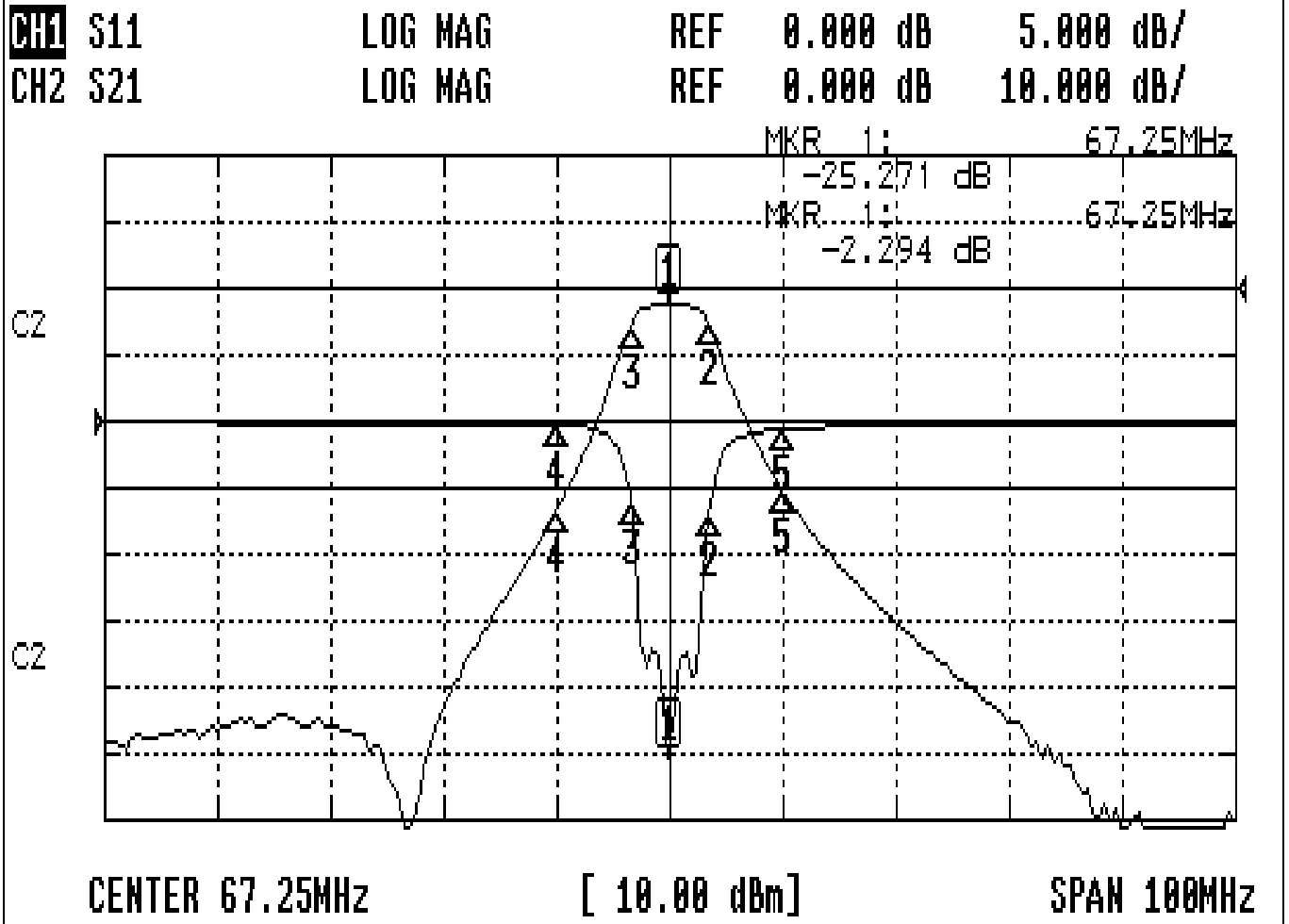


| | | | |
|-----------|------------|----------|--------------------------------|
| Approval | Supervisor | Designer | Aperture size |
| C.Y.Chang | C.S.Chang | W.W.Wang | 7H3(4*6.5F) 7H00LB6/7H00LB4 |

TEMWELL CORPORATION

Performance-TTL6303D-67.25M

0611019DC



CH1 MARKER LIST

| | | | |
|----|-----------|---------|----|
| 1: | 67.250MHz | -25.271 | dB |
| 2: | 70.750MHz | -7.071 | dB |
| 3: | 63.833MHz | -6.419 | dB |
| 4: | 57.250MHz | -0.281 | dB |
| 5: | 77.250MHz | -0.581 | dB |

CH2 MARKER LIST

| | | | |
|----|-----------|--------|----|
| 1: | 67.250MHz | -2.294 | dB |
| 2: | 70.750MHz | -1.172 | dB |
| 3: | 63.833MHz | -0.333 | dB |
| 4: | 57.250MHz | -0.475 | dB |
| 5: | 77.250MHz | -0.348 | dB |