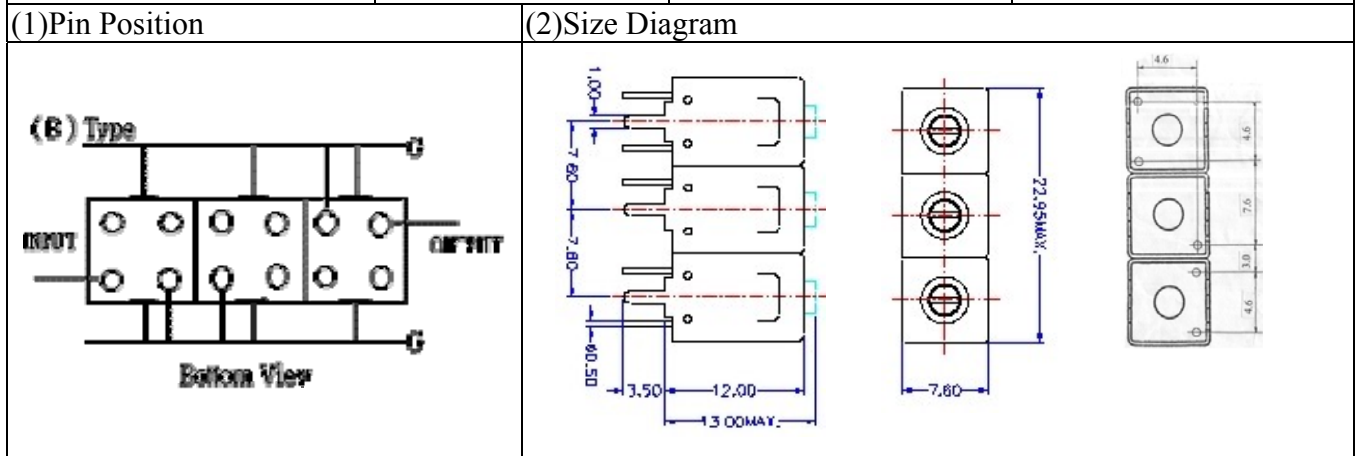


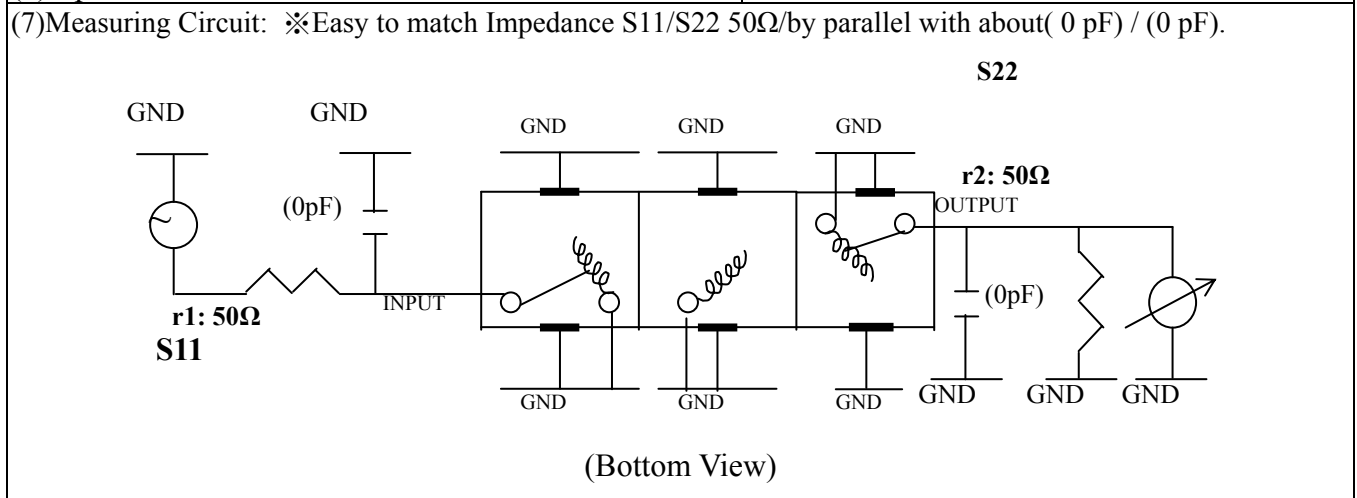
VHF UHF Helical Filter Specification Sheet

Customer Name		Temwell's Part No.	TTL6301B-55.25M
Approval No. /dated	0611017APR	Acceptable Specify Fo Range	46~55 MHZ
Work Instruction No.	0611017DC	Date	Nov.14.2006



(3) Electric Character					
Item		Specify		Performance	
Center Freq.(Fo) +/- 0.5 %		55.25 MHz		55.25 MHz	
Tunable Range		55.25±2 MHz		55.25±2 MHz	
Insertion Loss		Typ. 3.5 dB		2.12 dB	
-3 dB Bandwidth		Typ. 5 MHz		6.8 MHz	
Sensitivity (Attenuation)	Fo - 10 MHz	Typ. 33 dB		36 dB	
	Fo + 10 MHz	Typ. 30 dB		33 dB	
	Fo - ()MHz	Typ. dB		dB	
	Fo + ()MHz	Typ. dB		dB	
Return Loss		Min. 12 dB		24.0 dB	
Ripple		< 1 dB		dB	
Impedance		In / Out : 50 Ω		In / Out : 50 Ω	
(4) Torque for Tuning Screw		> 100gf · cm			

(5) Temperature Condition:	
Operating Temperature	-0°C ~ +60°C
Storage Temperature	-20°C ~ +70°C
(6) Input Power	> 1Watt

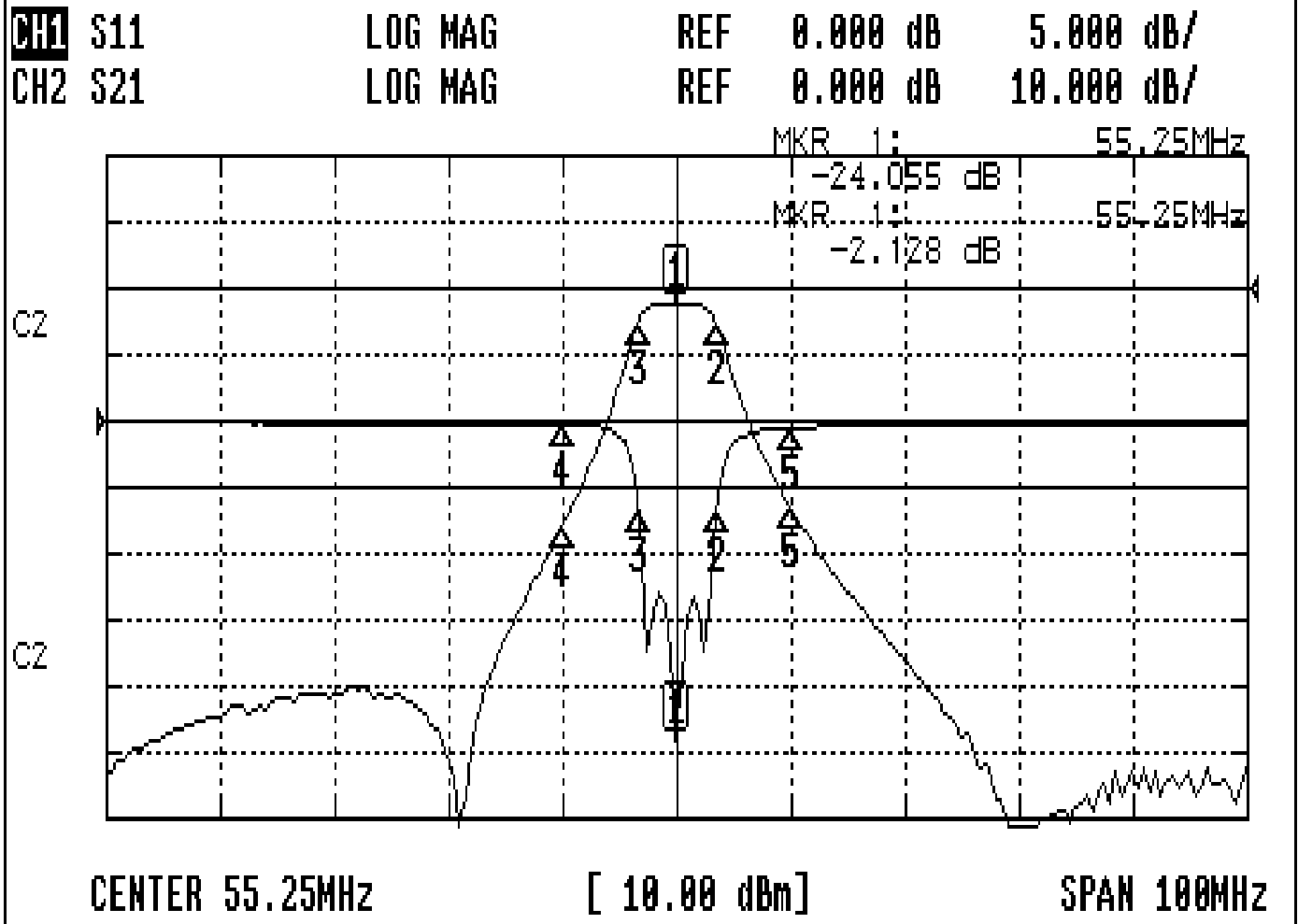


Approval	Supervisor	Designer	Aperture size
C.Y.Chang	C.S.Chang	W.W.Wang	7H3(4*7.5)F 7H00LB6/7H00LB4

TEMWELL CORPORATION

Performance-TTL6301B-55.25M

0611017DC



CH1 MARKER LIST

Marker	Frequency (MHz)	Magnitude (dB)
1	55.250	-24.055
2	58.750	-16.763
3	51.916	-10.943
4	45.250	-10.250
5	65.250	-0.523

CH2 MARKER LIST

Marker	Frequency (MHz)	Magnitude (dB)
1	55.250	-2.128
2	58.750	-1.180
3	51.916	-0.051
4	45.250	-0.063
5	65.250	-0.083