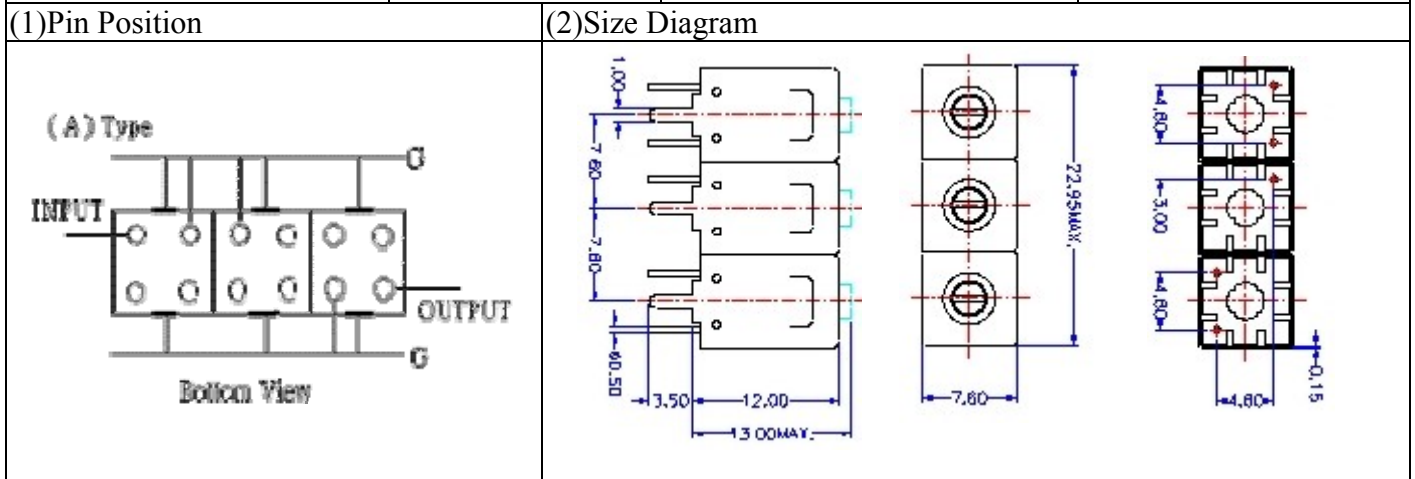


# VHF UHF Helical Filter Specification Sheet

Customer Name		Temwell's Part No.	TT6870A-780M
Approval No. /dated	20506051B	Acceptable Specify Fo Range	751~800MHz
Work Instruction No.	20506051B	Date	Jun.30.2005



### (3)Electric Charasteric

Item	Specify	Performance	
Center Freq.(Fo ) +/- 0.5 %	780 MHz	780 MHz	
Tunable Range	780±5 MHz	780±5 MHz	
Insertion Loss	Typ. 4.5 dB	3.52 dB	
-3 dB Bandwidth	Typ. 10 MHz	16.0 MHz	
Sensitivity (Attenuation)	Fo - 20 MHz	Typ. 20 dBc	25 dBc
	Fo + 20 MHz	Typ. 14 dBc	19 dBc
	Fo - ( )MHz	Typ. dBc	dBc
	Fo +( )MHz	Typ. dBc	dBc
Return Loss	Min. 12 dB	21.7 dB	
Ripple	< 1 dB	dB	
Impedance	In / Out : 50 Ω	In / Out : 50 Ω	

### (4)Torque for Tuning Screw

> 100gf • cm

### (5)Temperature Condition:

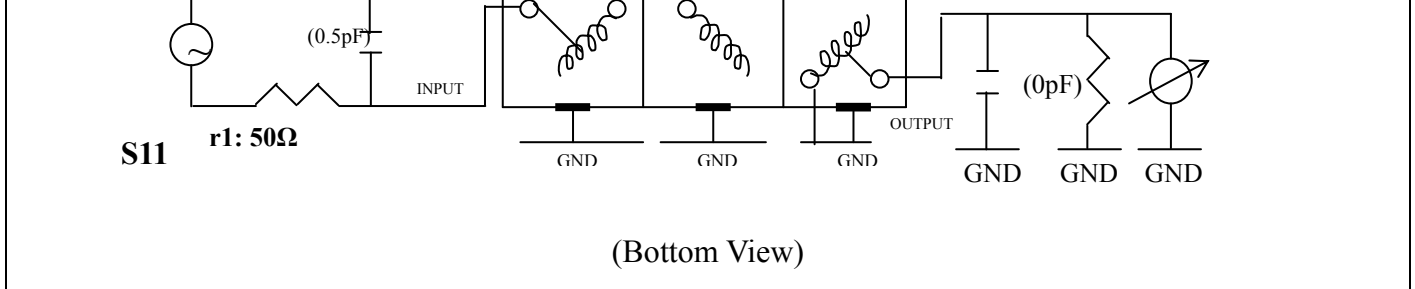
Operating Temperature 0°C ~ +60°C

Storage Temperature -20°C ~ +70°C

### (6)Input Power

> 1Watt

### (7)Measuring Circuit: ※Easy to match Impedance S11/S22 50Ω/ by parallel with about( 0~0.5pF) / ( 0 pF).

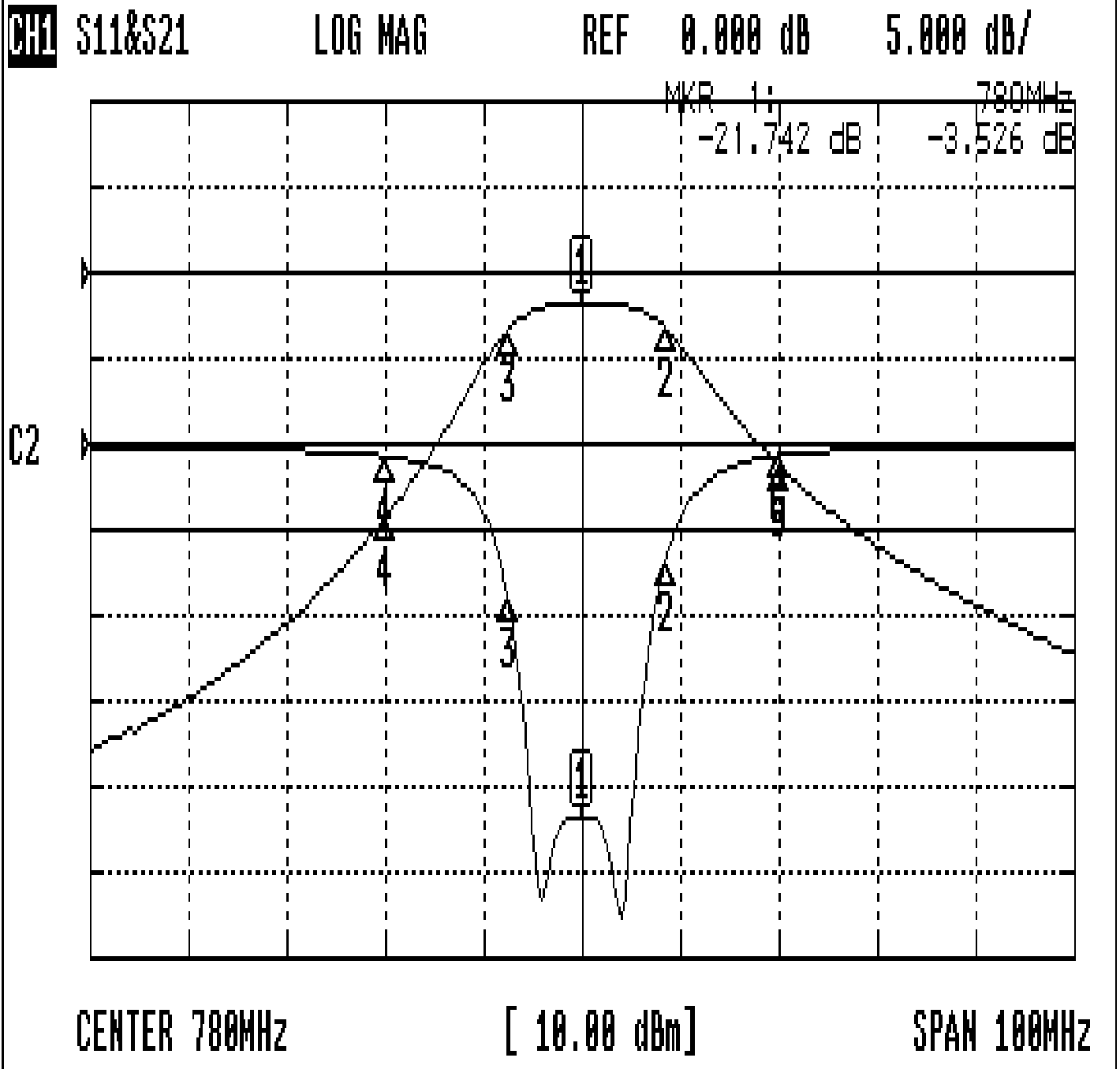


Approval	Supervisor	Designer	Aperture size
C.Y.Chang	C.S.Chang	P.H.Chiang	7H3(4*4.65)(4.70) 7H046LB4 聚 3

TEMWELL CORPORATION

# Performance-TT6870A-780M

## 20506051B



### CH1 MARKER LIST

1:	780.000MHz	-21.742 dB	-3.526 dB
2:	788.500MHz	-6.934 dB	-6.542 dB
3:	772.500MHz	-8.951 dB	-6.586 dB
4:	760.000MHz	-0.715 dB	-28.590 dB
5:	800.000MHz	-0.646 dB	-22.457 dB