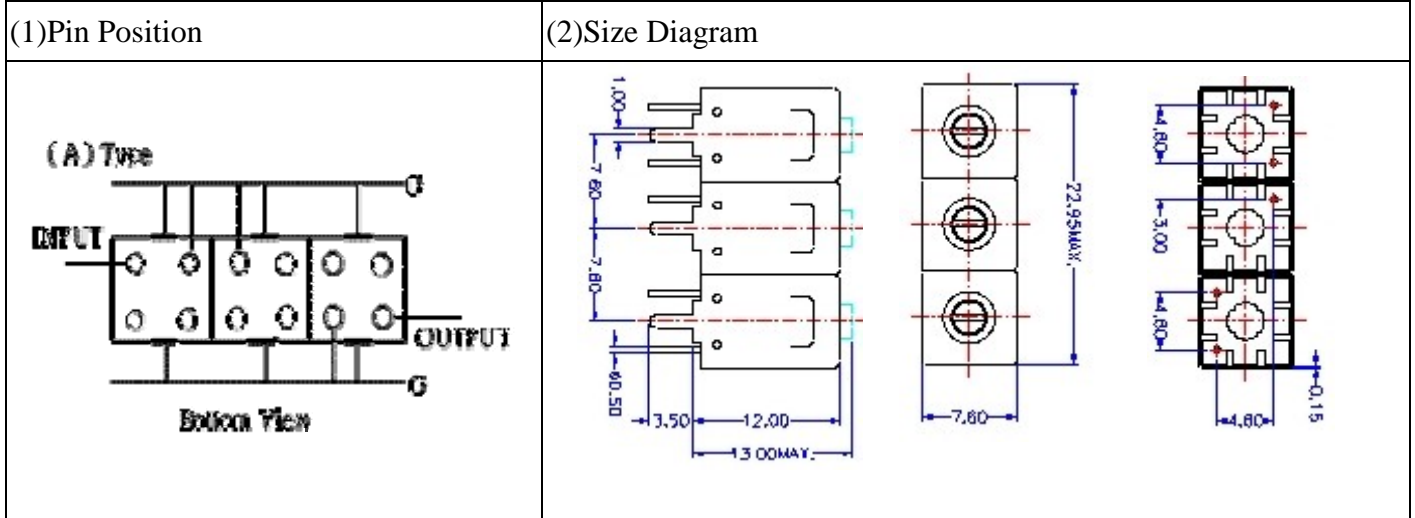


VHF UHF Helical Filter Specification Sheet

Customer Name		Temwell's Part No.	TT6864A-640M
Approval No. /dated	2008096B	Acceptable Specify Fo. Range	596~640MHz
Work Instruction No.	2008096B	Date	



(3) Electric Character			
Item	Specify	Performance	
Center Freq.(Fo) +/- 0.5 %	640 MHz	640	MHz
Tunable Range	640±5 MHz	640±5	MHz
Insertion Loss	Typ. 7.5 dB	6.2	dB
-3 dB Bandwidth	Typ. 4 MHz	7	MHz
Sensitivity (Attenuation)	Fo -20 MHz	Typ. 40	dBc
	Fo +20 MHz	Typ. 30	dBc
	Fo - ()MHz	Typ.	dBc
	Fo +()MHz	Typ.	dBc
Return Loss	Min. 12 dB	35	dB
Ripple	< 1 dB		dB
Impedance	In / Out : 50 Ω	In / Out : 50 Ω	

(4) Torque for Tuning Screw	> 100gf • cm
-----------------------------	--------------

(5) Temperature Condition:	
Operating Temperature	0°C ~ +60°C
Storage Temperature	-20°C ~ +70°C

(6) Input Power	> 1Watt
-----------------	---------

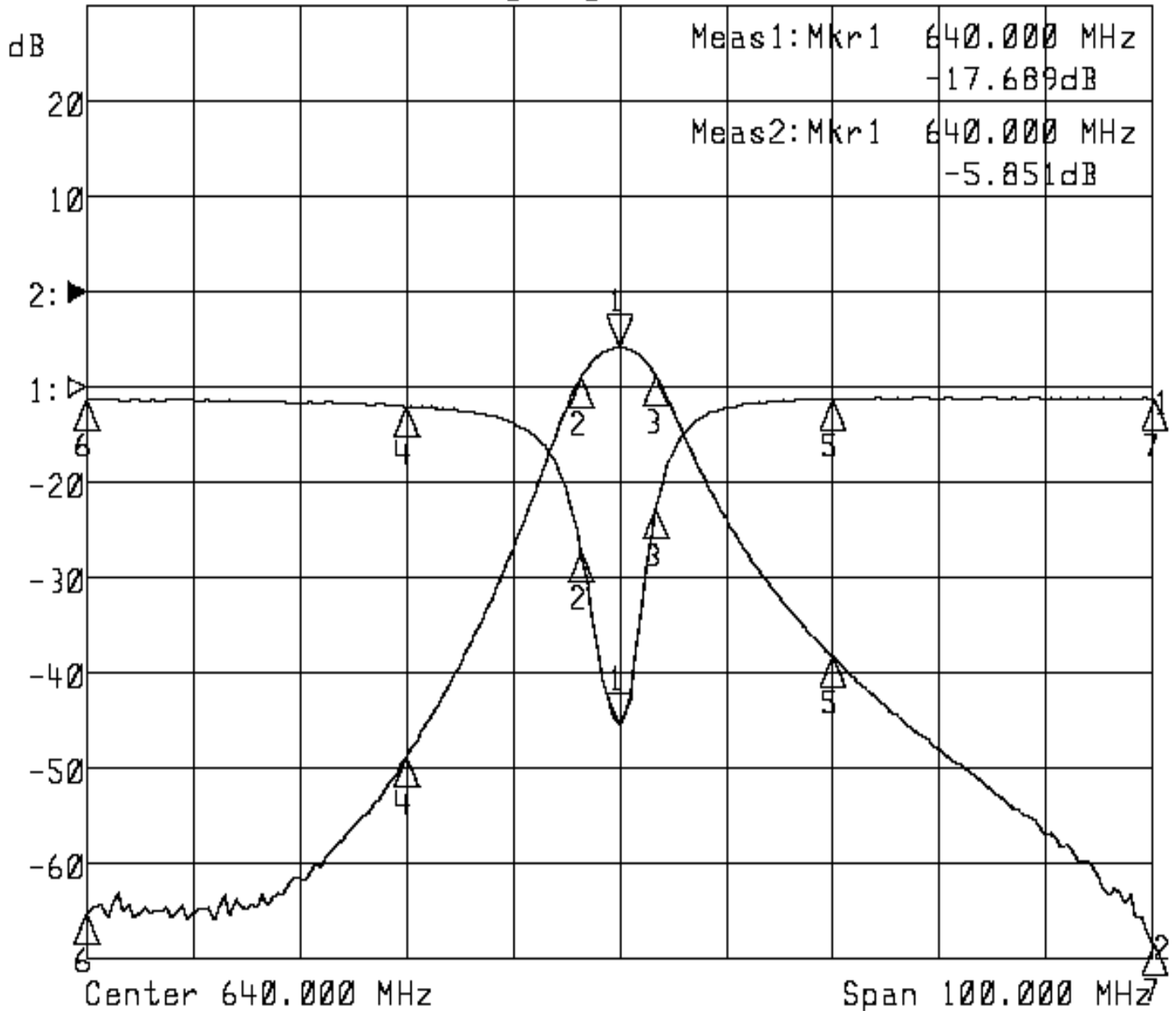
Approval	Supervisor	Designer	Aperture size
C.Y.Chang	C.S.Chang	C.S.Chang	7H3S(4*6.5)F 7H046LB4 聚 3

TEMWELL CORPORATION

Performance-TT6864A-640M

2008096B

▶1:S11 Refl Port1 Log Mag 5.0 dB/ Ref 0.00 dB C
▶2:S21 Fwd Trans Log Mag 10.0 dB/ Ref 0.00 dB C



1:Mkr (MHz)	dB	2:Mkr (MHz)	dB
1> 640.0000	-17.689	1> 640.0000	-5.851
2: 636.4333	-8.593	2: 636.4333	-8.893
3: 643.4667	-6.406	3: 643.4667	-8.825
4: 620.0000	-1.042	4: 620.0000	-48.758
5: 660.0000	-0.648	5: 660.0000	-38.248
6: 590.0000	-0.624	6: 590.0000	-65.275
7: 690.0000	-0.670	7: 690.0000	-68.534