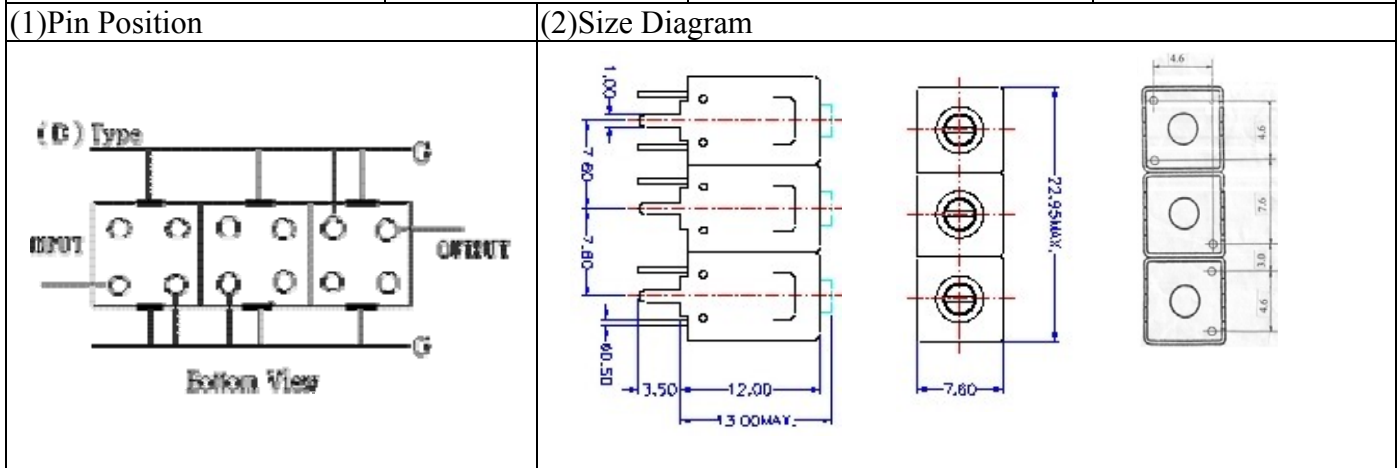
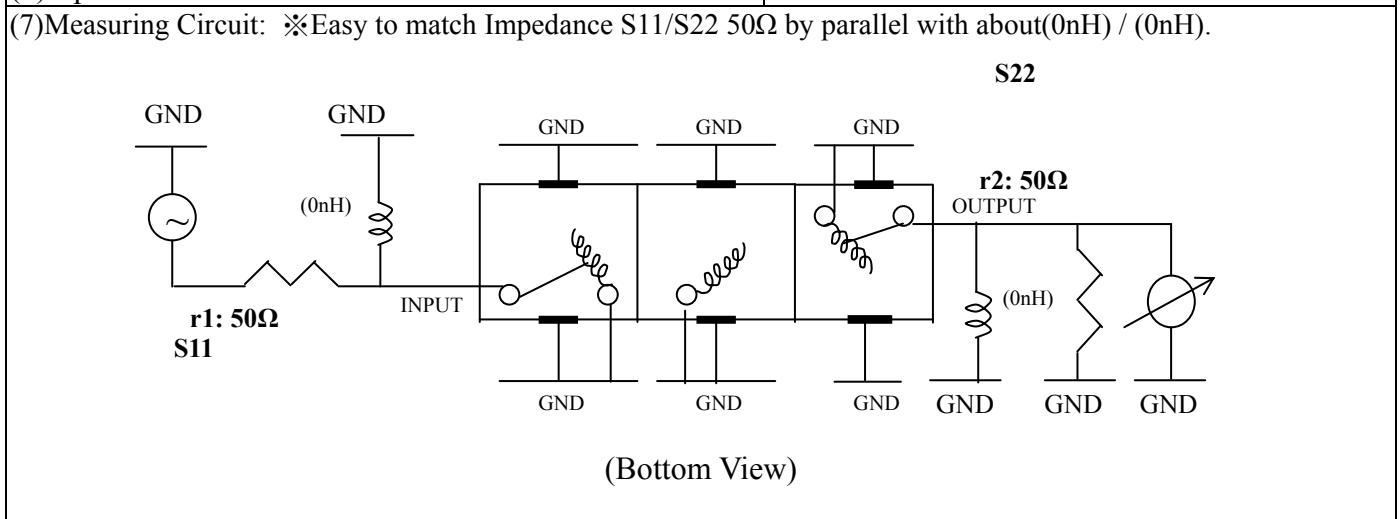


VHF UHF Helical Filter Specification Sheet

Customer Name		Temwell's Part No.	TT6858A-530M
Approval No. /dated	2008097B	Acceptable Specify Fo Range	516-555 MHz
Work Instruction No.	2008097B	Date	



(3) Electric Character			
Item	Specify	Performance	
Center Freq.(Fo) +/- 0.5 %	530 MHz	530 MHz	
Tunable Range	530±3 MHz	530±3 MHz	
Insertion Loss	Typ. 6.5 dB	5.3 dB	
-3 dB Bandwidth	Typ. 3 MHz	7 MHz	
Sensitivity (Attenuation)	Fo - 20 MHz	Typ. 38 dBc	41 dBc
	Fo + 20 MHz	Typ. 32 dBc	35 dBc
	Fo - ()MHz	Typ. dBc	dBc
	Fo +()MHz	Typ. dBc	dBc
Return Loss	Min. 12 dB	18.4 dB	
Ripple	< 1 dB	dB	
Impedance	In / Out : 50 Ω	In / Out : 50 Ω	
(4) Torque for Tuning Screw			
		> 100gf · cm	
(5) Temperature Condition:			
Operating Temperature	0°C ~ +60°C		
Storage Temperature	-20°C ~ +70°C		
(6) Input Power			
> 1Watt			



Approval	Supervisor	Designer	Aperture size
C.Y.Chang	C.S.Chang	C.S.Chang	7H3S(4*6.5)F 7H046LB4 聚 3
TEMWELL CORPORATION			

