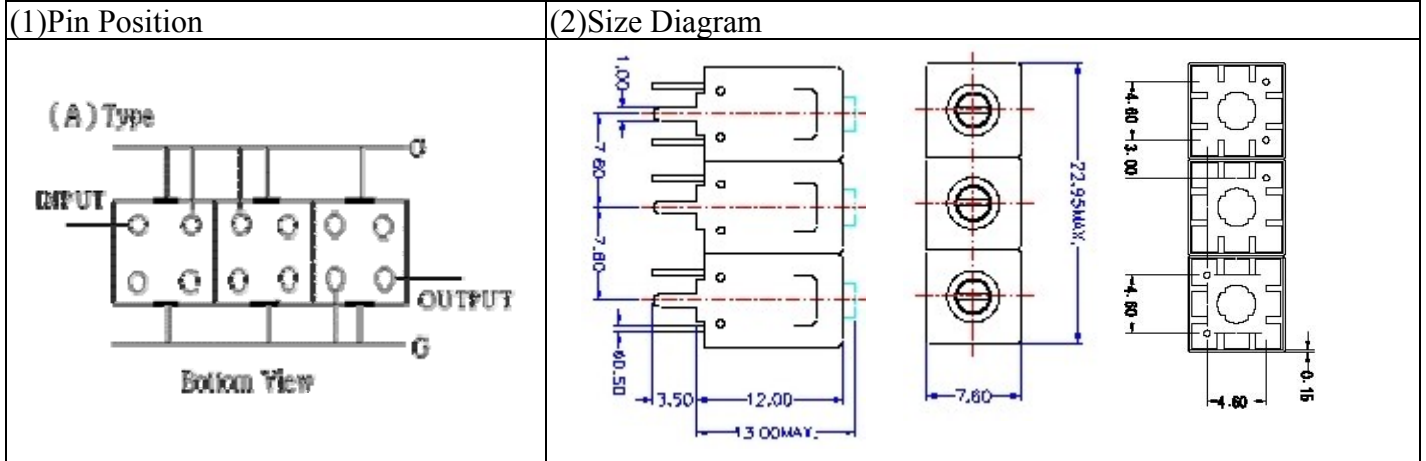
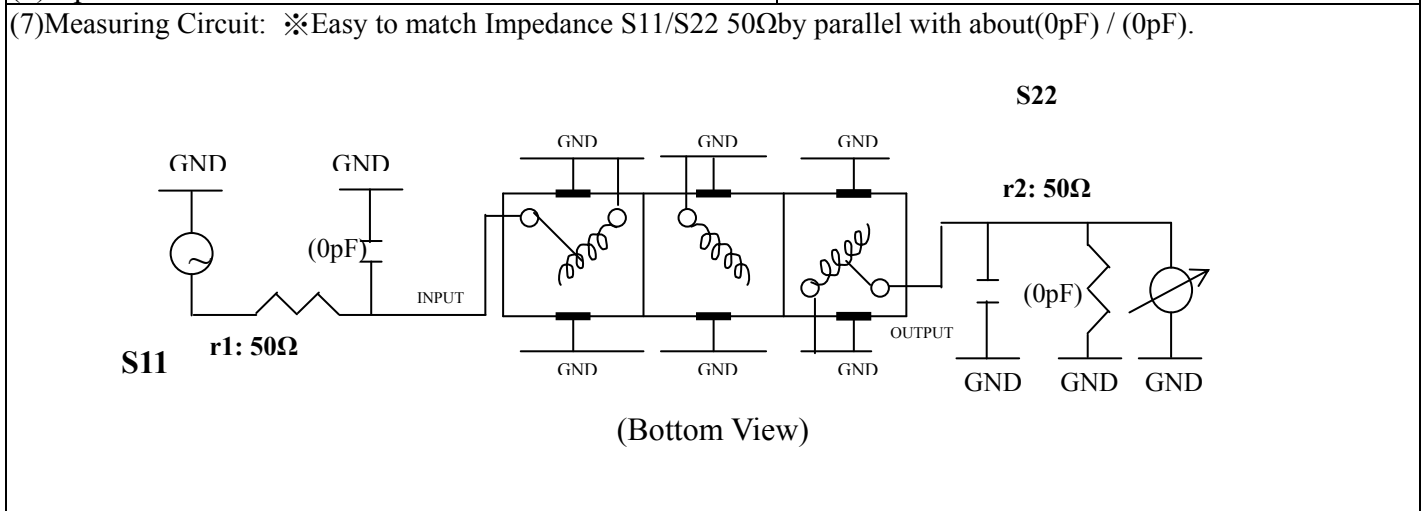


# VHF UHF Helical Filter Specification Sheet

Customer Name		Temwell's Part No.	TT6849A(2)-480M
Approval No. /dated	0801090APR	Customer's Print Name.	6849A2 480M
Work Instruction No.	0801090CD	Date	Mar.28.2008



(3) Electric Characteristic			
Item	Specify	Performance	
Center Freq.(Fo) +/- 0.5 %	480 MHz	480 MHz	
Tunable Range:	480±10 MHz	480±10 MHz	
Insertion Loss	Typ. 8.0 dB	6.11 dB	
-3 dB Bandwidth	Typ. 3 MHz	6.1 MHz	
Sensitivity (Attenuation)	Fo - 10 MHz	Typ. 27 dBc	30 dBc
	Fo + 10 MHz	Typ. 20 dBc	23 dBc
	Fo - ( )MHz	Typ. dBc	dBc
	Fo +( )MHz	Typ. dBc	dBc
Return Loss	Min. 12 dB	20.7 dB	
Ripple	< 1 dB	dB	
Impedance	In / Out : 50 Ω	In / Out : 50 Ω	
(4) Torque for Tuning Screw			
		> 60gf · cm	
(5) Temperature Condition:			
Operating Temperature		-0°C ~ +60°C	
Storage Temperature		-20°C ~ +70°C	
(6) Input Power		> 1Watt	

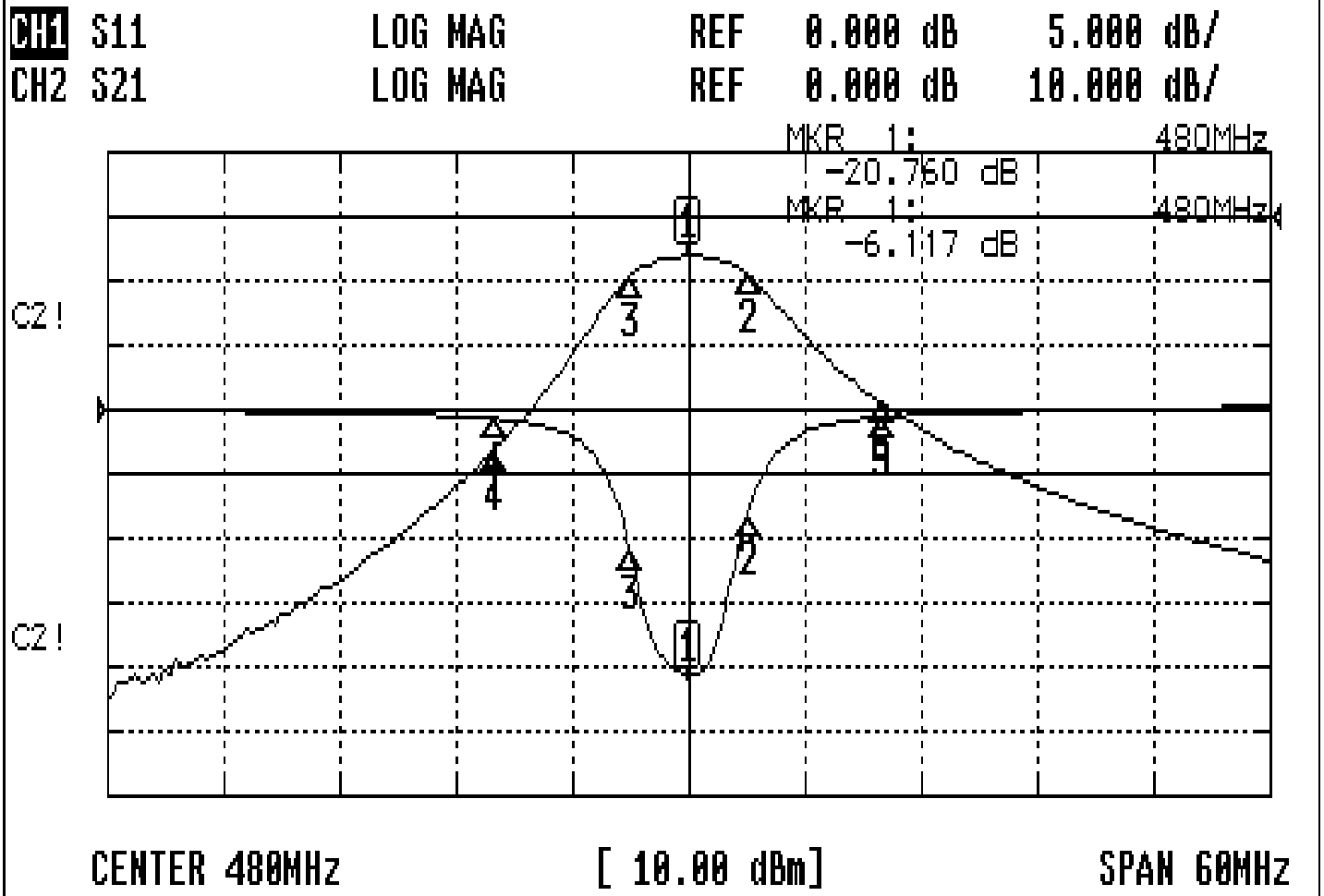


Approval C.Y.Chang	Supervisor C.S.Chang	Designer Y.H.Yeh	Aperture size 7H3(4*4.65F)(4.0B) 7H046LB4 聚 3
-----------------------	-------------------------	---------------------	---

TEMWELL CORPORATION

# Performance-TT6849A2-480M

## 0801090CD



### CH1 MARKER LIST

1:	480.000MHz	-20.760 dB
2:	483.100MHz	-7.922 dB
3:	477.000MHz	-10.807 dB
4:	470.000MHz	-0.718 dB
5:	490.000MHz	-0.570 dB
6:		
7:		
8:		
9:		
10:		

### CH2 MARKER LIST

1:	480.000MHz	-6.117 dB
2:	483.100MHz	-9.174 dB
3:	477.000MHz	-9.193 dB
4:	470.000MHz	-36.267 dB
5:	490.000MHz	-29.165 dB
6:		
7:		
8:		
9:		
10:		