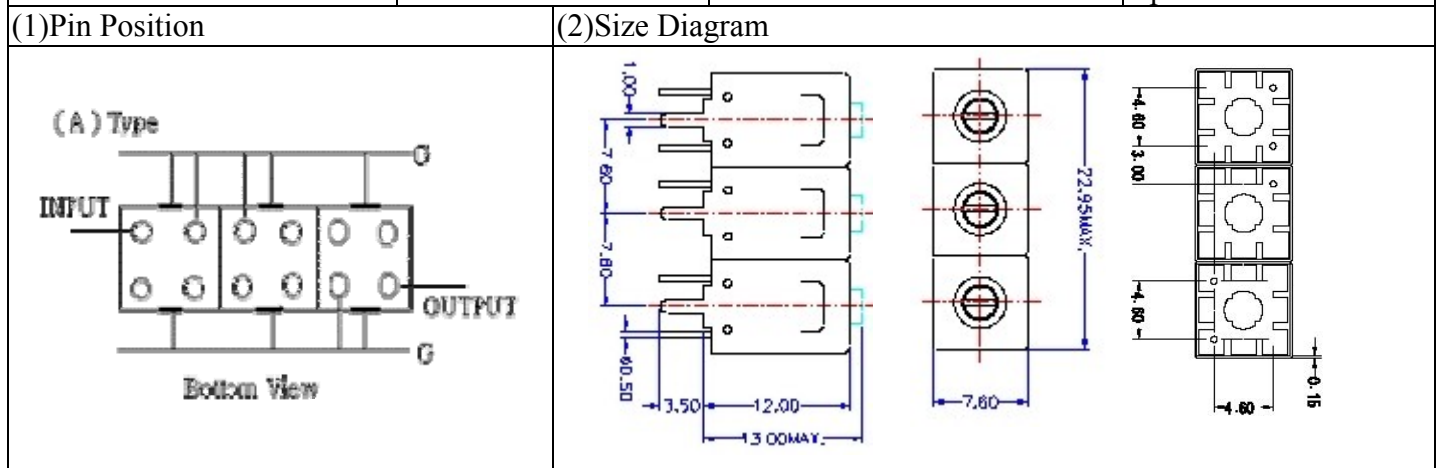


VHF UHF Helical Filter Specification Sheet

Customer Name		Temwell's Part No.	TT6845A2-440M
Approval No. /dated	2004017B	Acceptable Specify Fo Range	401~455MHz
Work Instruction No.	2004017B	Date	Apr.19.2000



(3)Electric Characteristic

Item	Specify	Performance
Center Freq.(Fo) +/- 0.5 %	440 MHz	440 MHz
Tunable Range:	440±5 MHz	440±5 MHz
Insertion Loss	Typ. 7.5 dB	6.5 dB
-3 dB Bandwidth	Typ. 3 MHz	5 MHz
Sensitivity (Attenuation)	Fo - 30 MHz	Typ. 50 dBc
	Fo + 30 MHz	Typ. 50 dBc
	Fo - ()MHz	Typ. dBc
	Fo +()MHz	Typ. dBc
Return Loss	Min. 12 dB	35.9 dB
Ripple	< 1 dB	dB
Impedance	In / Out : 50 Ω	In / Out : 50 Ω

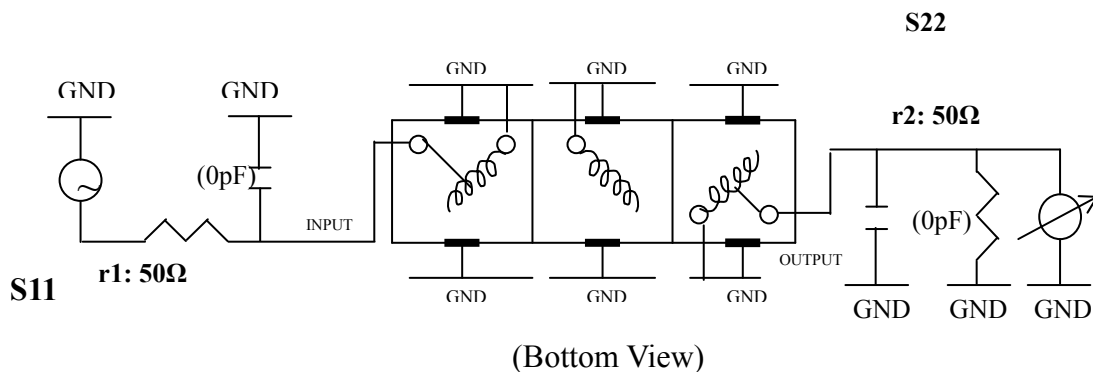
(4)Torque for Tuning Screw > 100gf · cm

(5)Temperature Condition:

Operating Temperature	0°C ~ +60°C
Storage Temperature	-20°C ~ +70°C

(6)Input Power > 1Watt

(7)Measuring Circuit: ※Easy to match Impedance S11/S22 50Ωby parallel with about(0pF) / (0pF).



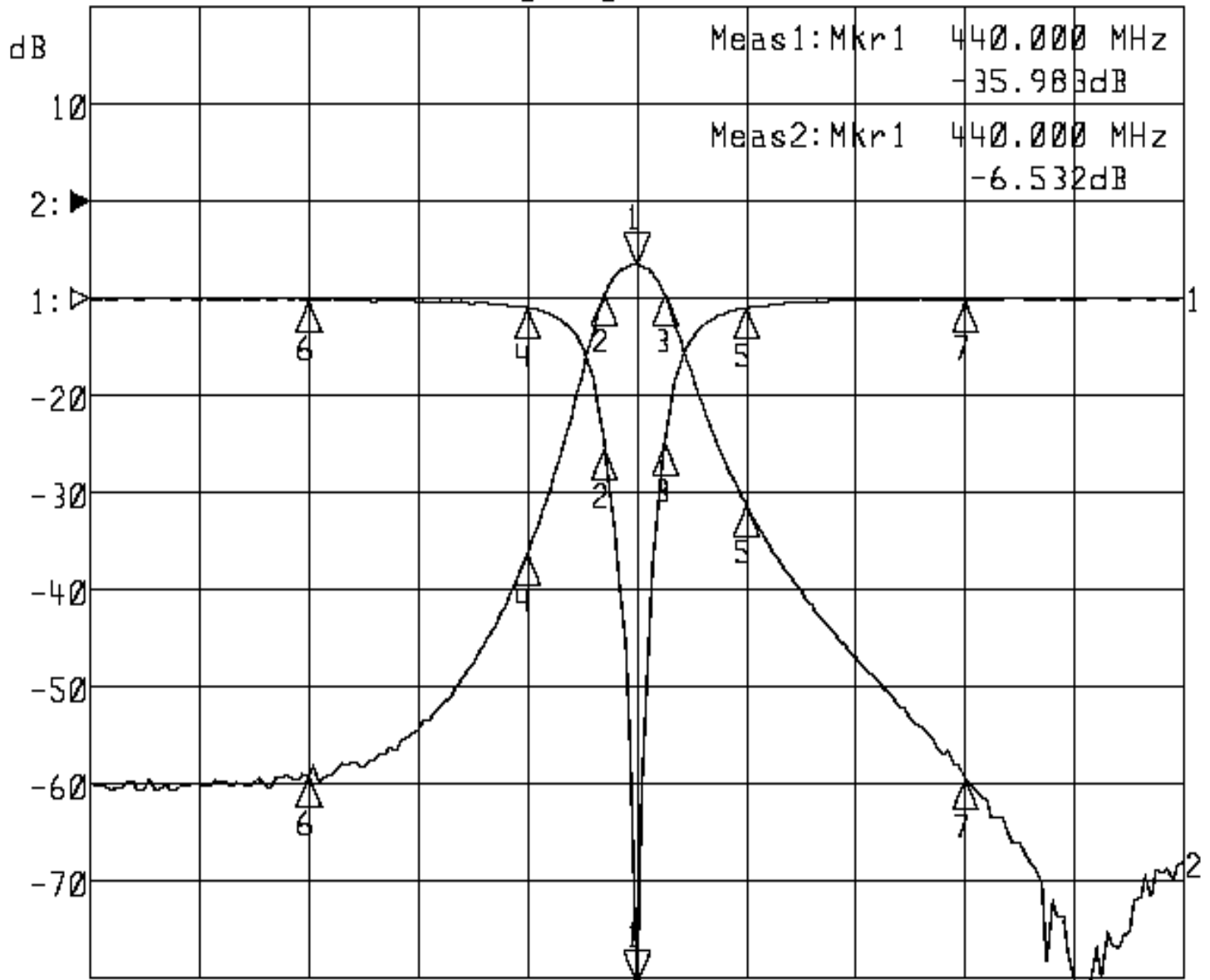
Approval	Supervisor	Designer	Aperture size
C.Y.Chang	C.S.Chang	C.S.Chang	7H3S(4*4.65) 7H046LB4 聚 3

TEMWELL CORPORATION

Performance-TT6845A2-440M

2004017B

▶1:S11 Refl Port1 Log Mag 5.0 dB/ Ref 0.00 dB C
▶2:S21 Fwd Trans Log Mag 10.0 dB/ Ref 0.00 dB C



Center 440.000 MHz

Span 100.000 MHz

1: Mkr (MHz)	dB	2: Mkr (MHz)	dB
1> 440.0000	-35.983	1> 440.0000	-6.532
2: 437.1000	-7.725	2: 437.1000	-9.602
3: 442.5333	-7.543	3: 442.5333	-9.530
4: 430.0000	-0.486	4: 430.0000	-36.311
5: 450.0000	-0.510	5: 450.0000	-31.172
6: 410.0000	-0.094	6: 410.0000	-59.176
7: 470.0000	-0.091	7: 470.0000	-59.444