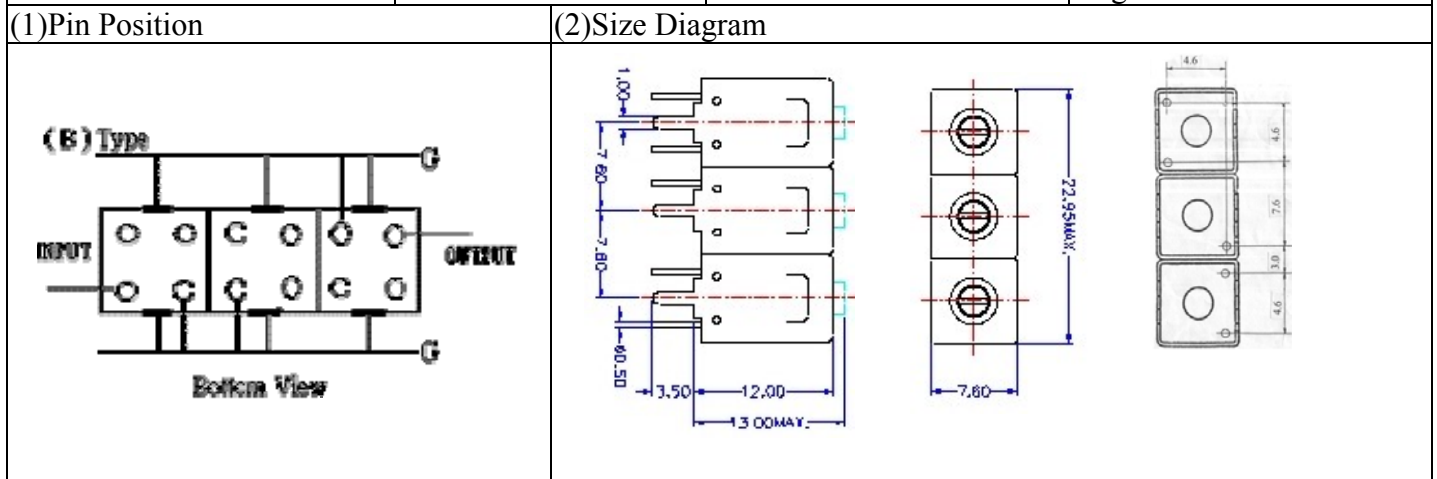


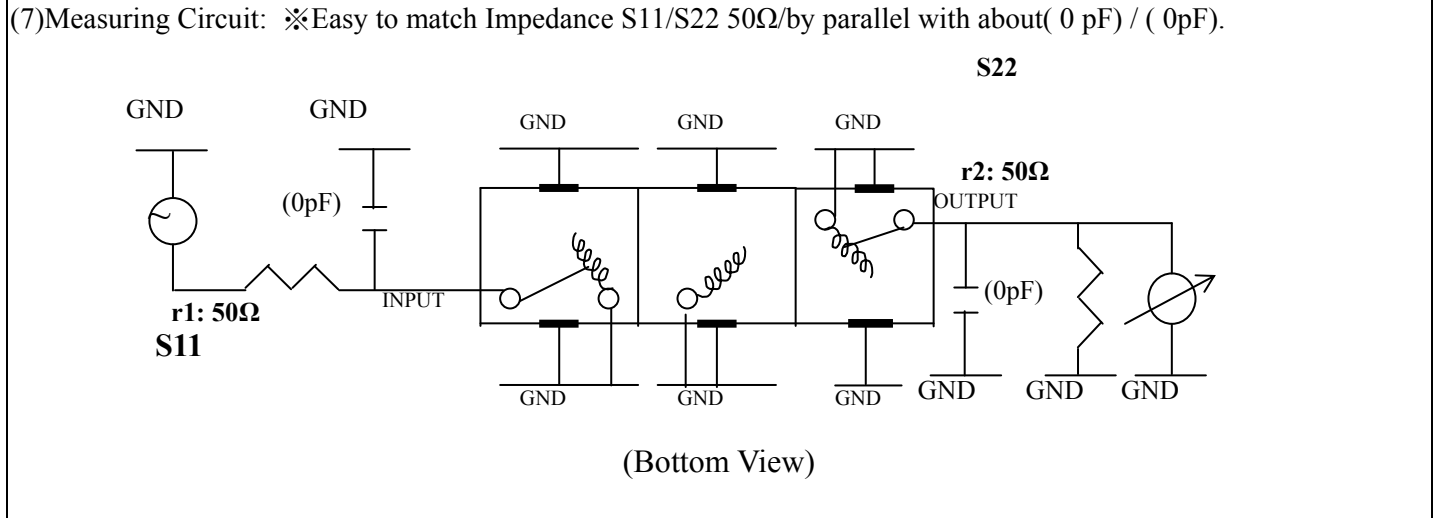
# VHF UHF Helical Filter Specification Sheet

Customer Name		Temwell's Part No.	TT6829B1-196.7M
Approval No. /dated	0607017APR	Acceptable Specify Fo Range	196~220MHz
Work Instruction No.	0607017DC	Date	Aug.08.2006



(3) Electric Character			
Item		Specify	Performance
Center Freq.(Fo) +/- 0.5 %		196.7 MHz	196.7 MHz
Insertion Loss		Typ. 5 dB	3.70 dB
-3 dB Bandwidth		Typ. 5 MHz	6.4 MHz
Sensitivity (Attenuation)	Fo - 10 MHz	Typ. 29 dB	32 dB
	Fo + 10 MHz	Typ. 25 dB	28 dB
	Fo - ( )MHz	Typ dB	dB
	Fo + ( )MHz	Typ dB	dB
Return Loss		Min. 12 dB	35.6 dB
Ripple		< 1 dB	dB
Impedance		In / Out : 50 Ω	In / Out : 50 Ω
(4) Torque for Tuning Screw		> 100gf · cm	

(5) Temperature Condition:	
Operating Temperature	0°C ~ +60°C
Storage Temperature	-20°C ~ +70°C
(6) Input Power	> 1Watt

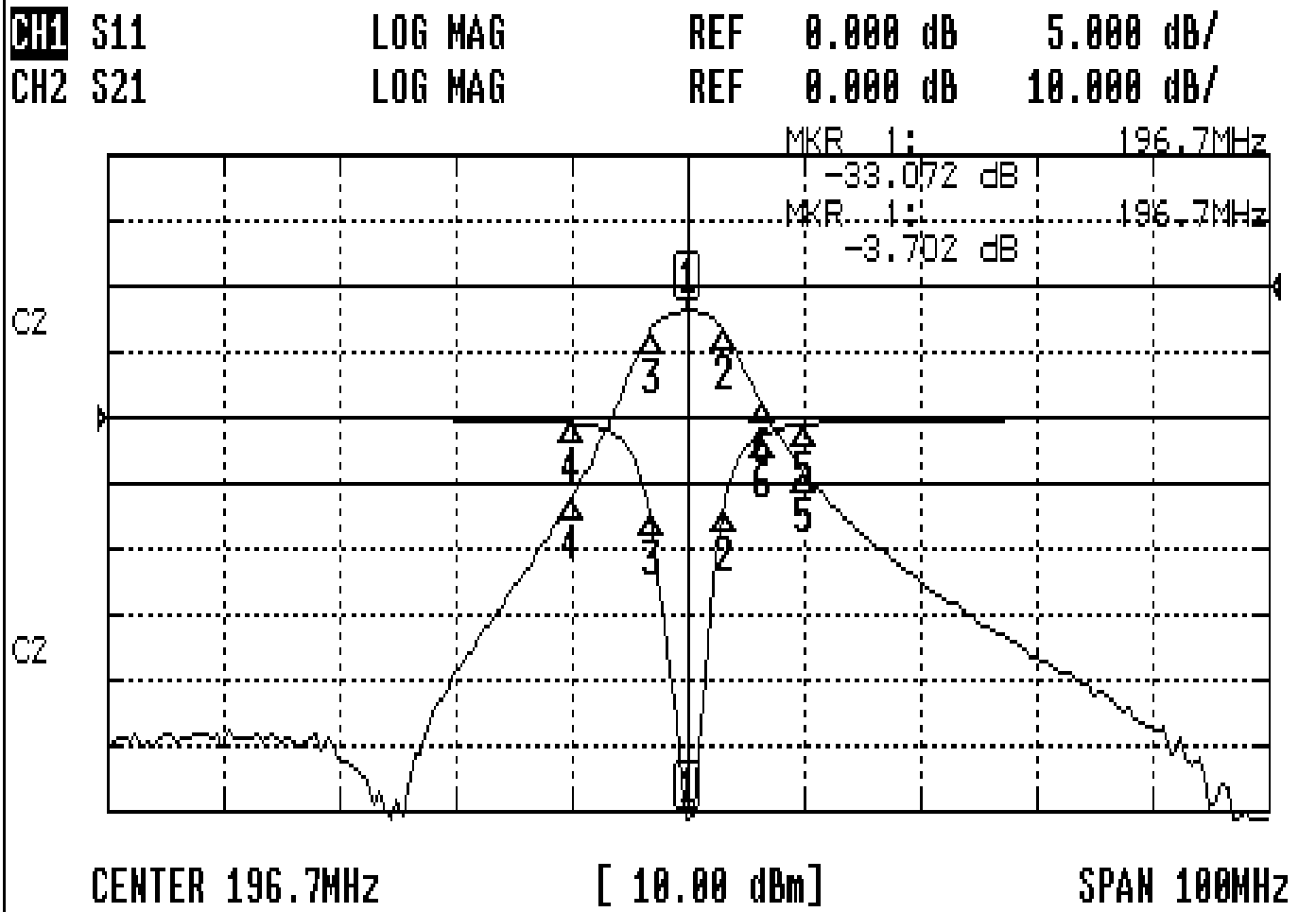


Approval	Supervisor	Designer	Aperture size
C.Y.Chang	C.S.Chang	P.H.Chiang	7H3(4*5.5)F 7H024LB4

TEMWELL CORPORATION  
TEMWELL RP(P.H)

# Performance-TT6829B1-196.7M

## 0607017DC



### CH1 MARKER LIST

1:	196.700MHz	-33.072	dB
2:	199.866MHz	-16.860	dB
3:	193.450MHz	-7.515	dB
4:	186.700MHz	-0.442	dB
5:	206.700MHz	-0.547	dB
6:	203.100MHz	-1.295	dB

### CH2 MARKER LIST

1:	196.700MHz	-3.702	dB
2:	199.866MHz	-16.850	dB
3:	193.450MHz	-6.726	dB
4:	186.700MHz	-2.286	dB
5:	206.700MHz	-28.078	dB
6:	203.100MHz	-18.027	dB