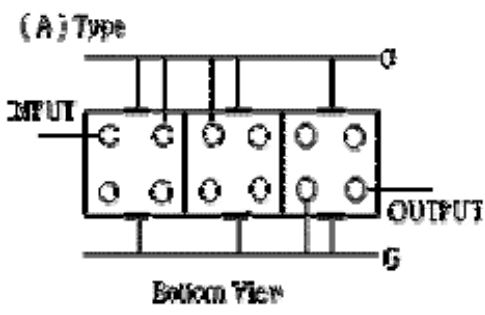
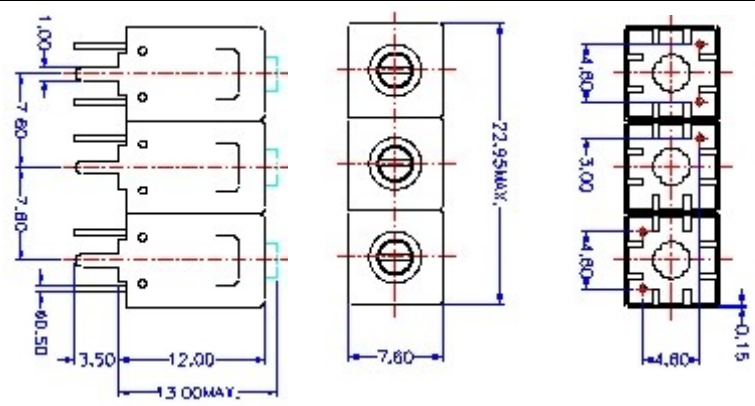


VHF UHF Helical Filter Specification Sheet

Customer Name		Temwell's Part No.	TT6814A-725M
Approval No. /dated	980327D	Acceptable Specify Fo.Range	701~750Mhz
Work Instruction No.	980327D	Date	Mar.13,1998

<p>(1)Pin Position</p>  <p style="text-align: center;">Bottom View</p>	<p>(2)Size Diagram</p> 
---	---

(3)Electric Charasteric

Item	Specify	Performance
Center Freq.(Fo) +/- 0.5 %	725 MHz	725 MHz
Tunable Range:	725±5 MHz	725±5 MHz
Insertion Loss	Typ. 9.0 dB	8.1 dB
-3 dB Bandwidth	Typ. 3 MHz	6.7 MHz
Sensitivity (Attenuation)	Fo - 50 MHz	Typ. 55 dBc
	Fo + 50 MHz	Typ. 70 dBc
	Fo - ()MHz	Typ. dBc
	Fo +()MHz	Typ. dBc
Return Loss	Min. 12 dB	22.1 dB
Ripple	< 1 dB	dB
Impedance	In / Out : 50 Ω	In / Out : 50 Ω
(4)Torque for Tuning Screw	> 100gf • cm	

(5)Temperature Condition:

Operating Temperature	0°C ~ +60°C
Storage Temperature	-20°C ~ +70°C

(6)Input Power

	> 1Watt
--	---------

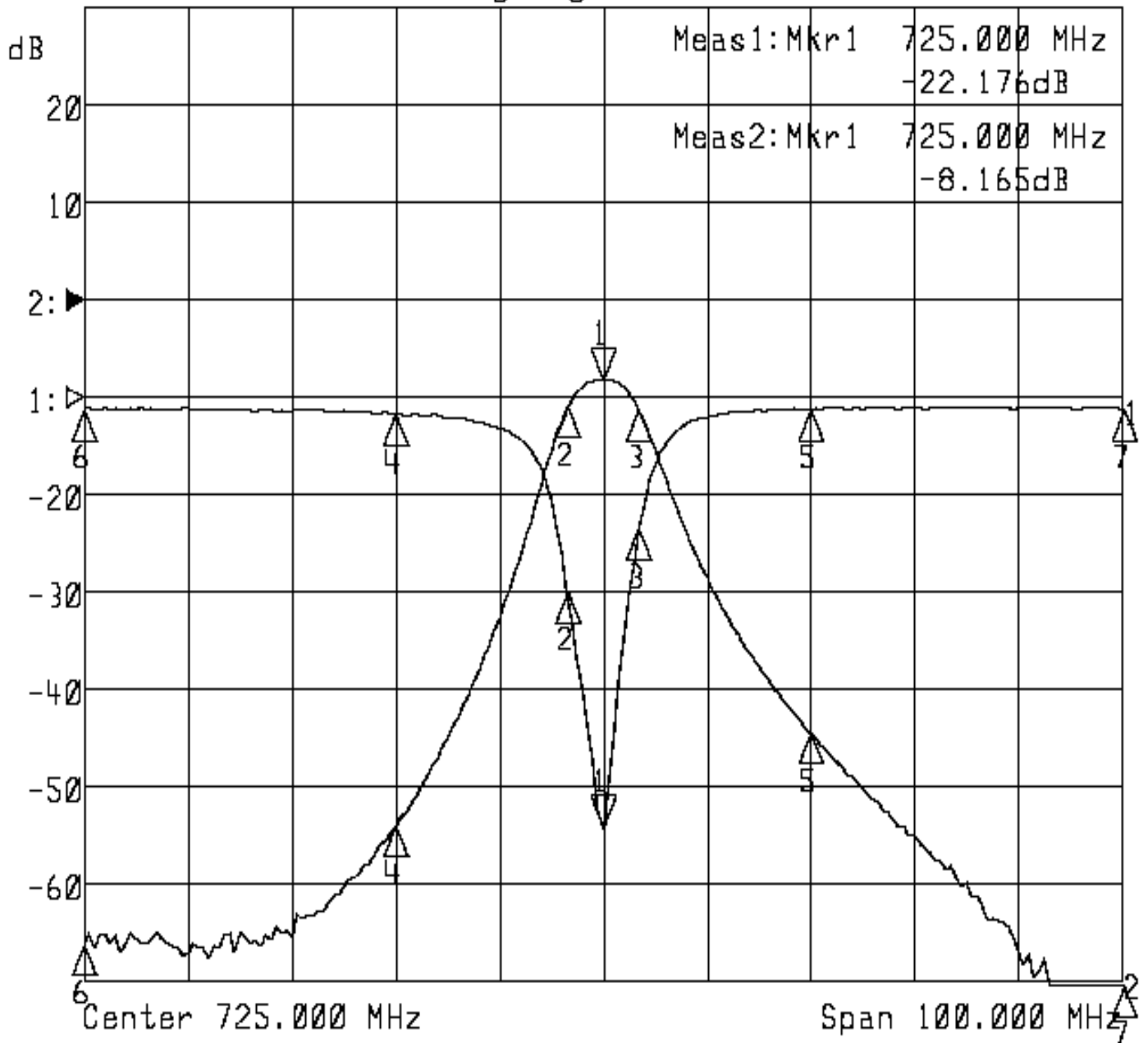
Approval	Supervisor	Designer	Aperture size
C. Y. Chang	C. S. Chang	C. S. Chang	7H3S(4*4.65) 7H046LB4 聚 3

TEMWELL CORPORATION

Performance- TT6814A-725M

980327D

▷1:S11 Refl Port1 Log Mag 5.0 dB/ Ref 0.00 dB C
▶2:S21 Fwd Trans Log Mag 10.0 dB/ Ref 0.00 dB C



1: Mkr (MHz)	dB	2: Mkr (MHz)	dB
1> 725.0000	-22.176	1> 725.0000	-8.165
2: 721.5333	-9.990	2: 721.5333	-11.037
3: 728.4667	-6.769	3: 728.4667	-11.274
4: 705.0000	-0.863	4: 705.0000	-53.987
5: 745.0000	-0.622	5: 745.0000	-44.503
6: 675.0000	-0.599	6: 675.0000	-66.139
7: 775.0000	-0.634	7: 775.0000	-83.084