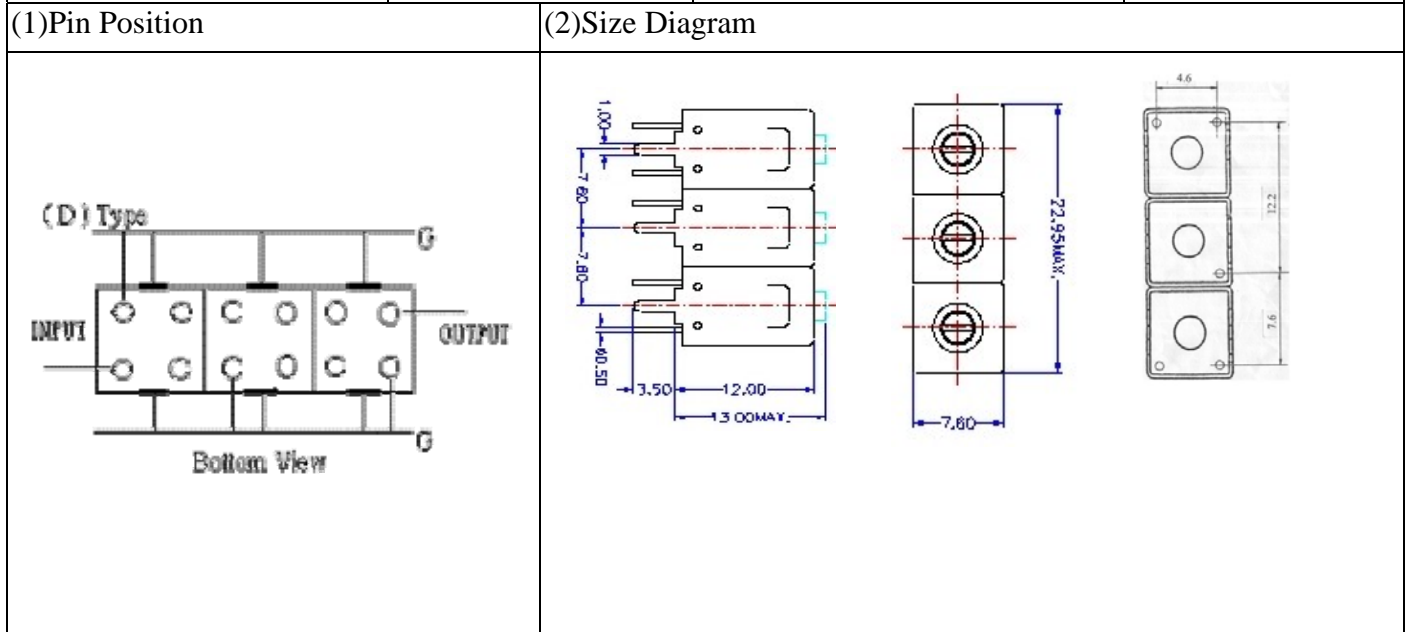


VHF UHF Helical Filter Specification Sheet

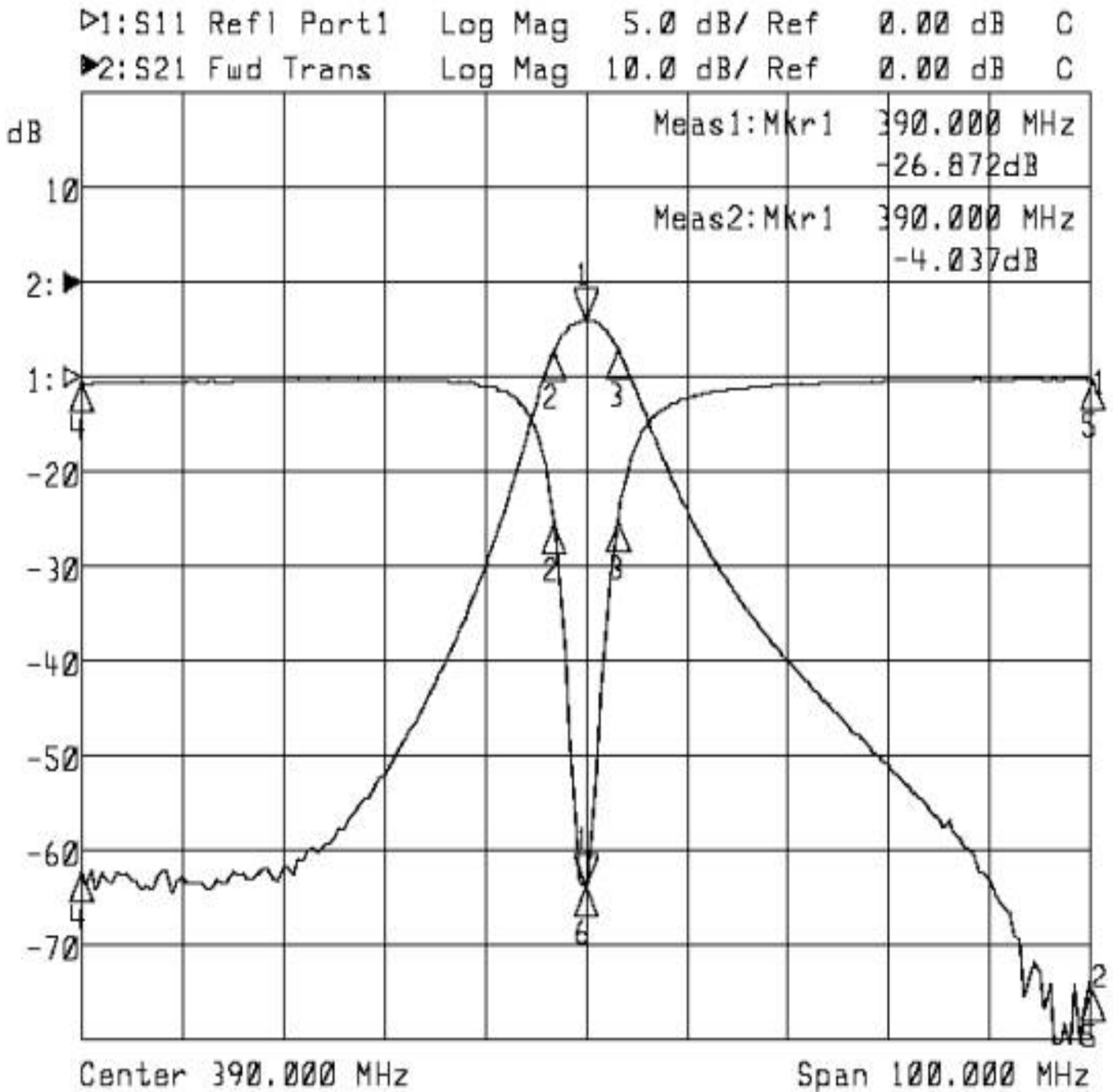
Customer Name		Temwell's Part No.	TT6798D-390M
Approval No. /dated	20105002A	Acceptable Specify Fo. Range	356~400MHz
Work Instruction No.	20105002A	Date	May.21.2001



(3) Electric Characteristic			
Item	Specify	Performance	
Center Freq.(Fo) +/- 0.5 %	390 MHz	390 MHz	
Insertion Loss	Typ. 5.0 dB	4.0 dB	
-3 dB Bandwidth	Typ. 5 MHz	7 MHz	
Sensitivity (Attenuation)	Fo - 50 MHz	Typ. 56 dBc	58 dBc
	Fo + 50 MHz	Typ. 65 dBc	70 dBc
	Fo - ()MHz	Typ. dBc	dBc
	Fo +()MHz	Typ. dBc	dBc
Return Loss	Min. 12 dB	26.0 dB	
Ripple	< 1 dB	dB	
Impedance	In / Out : 50 Ω	In / Out : 50 Ω	
(4) Torque for Tuning Screw		> 100gf · cm	
(5) Temperature Condition:			
Operating Temperature		0°C ~ +60°C	
Storage Temperature		-20°C ~ +70°C	
(6) Input Power		> 1Watt	
Approval	Supervisor	Designer	Aperture size
C.Y.Chang	C.S.Chang	C.S.Chang	7H3S(4*4.5) 7H046LB4 聚 3
TEMWELL CORPORATION			

Performance-TT6798D-390M

20105002A



1: Mkr (MHz)	dB	2: Mkr (MHz)	dB
1> 390.0000	-26.872	1> 390.0000	-4.037
2: 386.8667	-7.704	2: 386.8667	-7.128
3: 393.2000	-7.565	3: 393.2000	-7.066
4: 340.0000	-0.312	4: 340.0000	-62.298
5: 440.0000	-0.174	5: 440.0000	-74.873
6: 390.0000	-26.872		