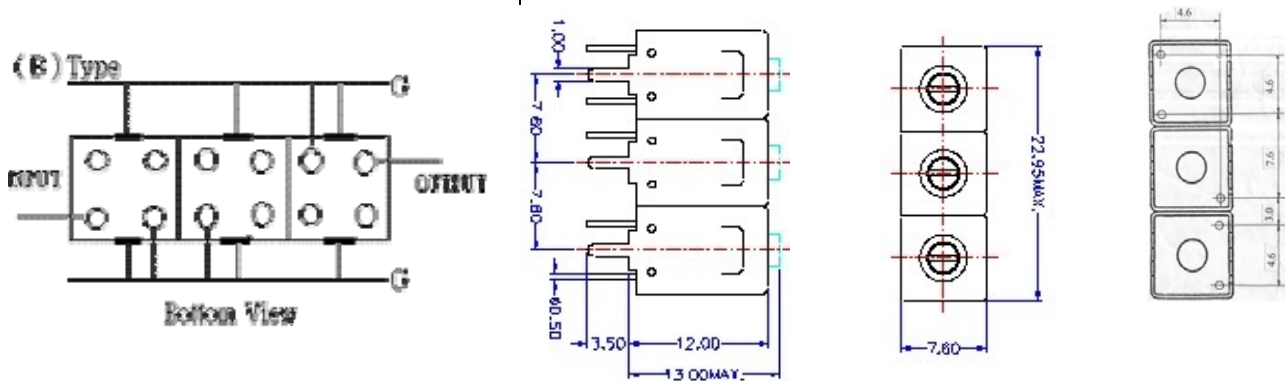


VHF UHF Helical Filter Specification Sheet

Customer Name		Temwell's Part No.	TT6798B-370M
Approval No. /dated	20504010B	Acceptable Specify Fo. Range	356~400MHz
Work Instruction No.	20504010B	Date	Apr.14.2005

(1) Pin Position (2) Size Diagram



(3) Electric Characteristic

Item	Specify	Performance
Center Freq.(Fo) +/- 0.5 %	370 MHz	370 MHz
Tunable Range:	370±4 MHz	370±4 MHz
Insertion Loss	Typ. 3.0 dB	2.0 dB
-1 dB Bandwidth	Typ. 9 MHz	11 MHz
-3 dB Bandwidth	Typ. 12 MHz	16 MHz
Sensitivity (Attenuation)	Fo -15 MHz	Typ. 12 dBc
	Fo +15 MHz	Typ. 9 dBc
	Fo MHz	Typ. dBc
	Fo MHz	Typ. dBc
Return Loss	Min. 12 dB	20.1 dB
Ripple	< 1 dB	dB
Impedance	In / Out : 50 Ω	In / Out : 50 Ω
(4) Torque for Tuning Screw	> 100gf · cm	

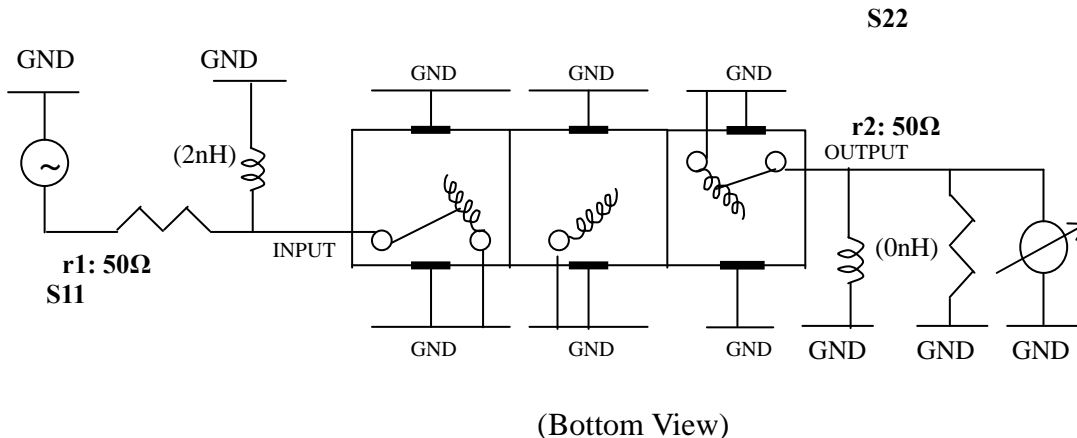
(5) Temperature Condition:

Operating Temperature	0°C ~ +60°C
Storage Temperature	-20°C ~ +70°C

(6) Input Power

> 1Watt

(7) Measuring Circuit: ※Easy to match Impedance S11/S22 50/ by parallel with about(0~2nH) / (0~1 nH).



Approval C.Y.Chang	Supervisor C.S.Chang	Designer P.H.Chiang	Aperture size 7H3(4*6.5)(6.58) 7H046LB4 聚 3
-----------------------	-------------------------	------------------------	---

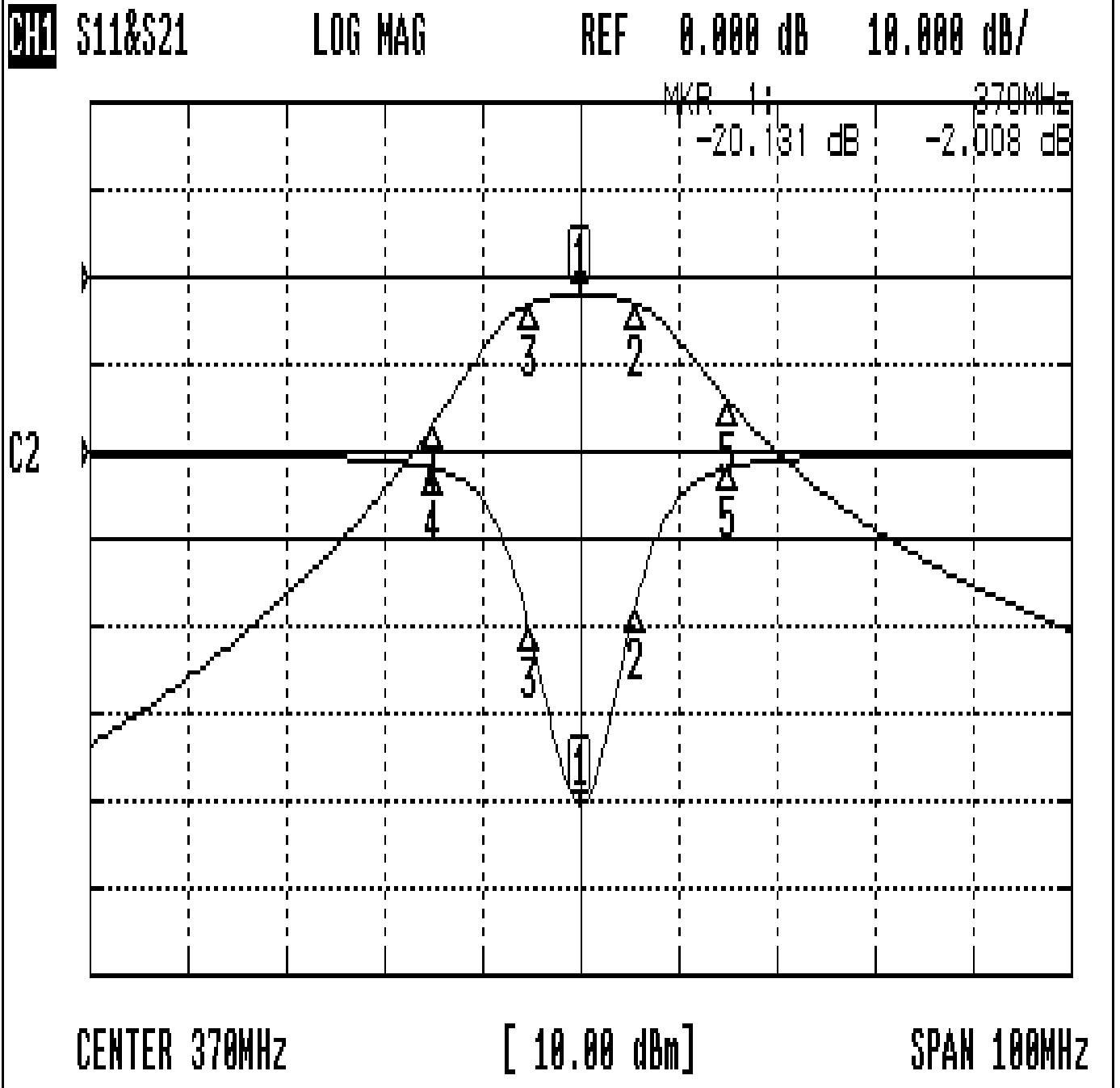
TEMWELL CORPORATION

TEMWELL

Form10-7H4B Vision D

Performance-TT6798B-370M

20504010B



CH1 MARKER LIST

1:	370.000MHz	-20.131 dB	-2.008 dB
2:	375.666MHz	-8.727 dB	-3.026 dB
3:	364.833MHz	-10.165 dB	-3.037 dB
4:	355.000MHz	-0.939 dB	-16.881 dB
5:	385.000MHz	-0.918 dB	-14.898 dB