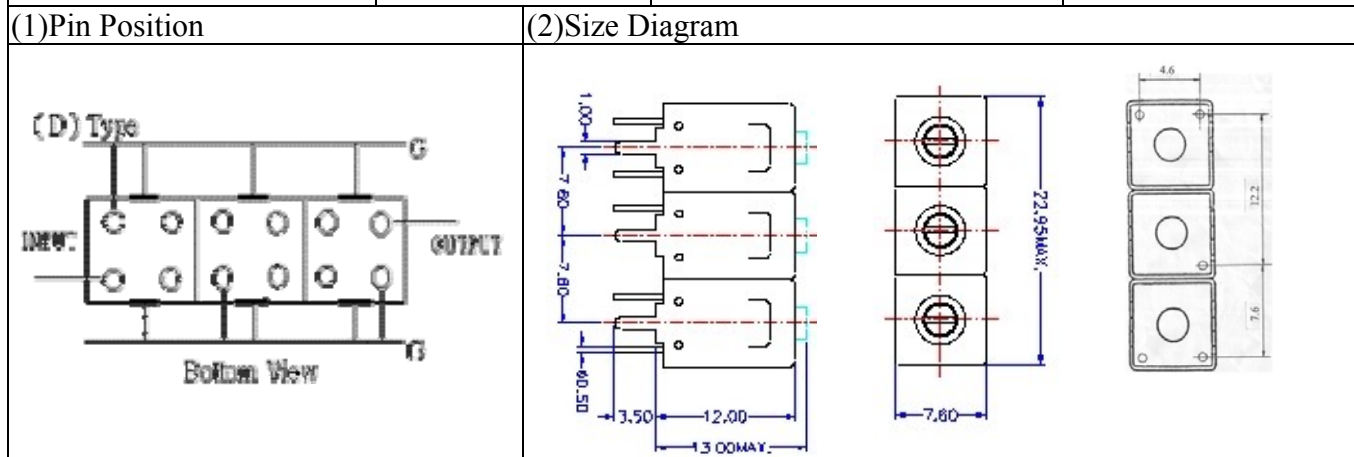


VHF UHF Helical Filter Specification Sheet

| | | | |
|----------------------|-------------|------------------------------|--------------|
| Customer Name | | Temwell's Part No. | TT6797D-325M |
| Approval No. /dated | 20506035APR | Acceptable Specify Fo. Range | 311~355MHz |
| Work Instruction No. | 20506035B | Date | Jun.04.2005 |



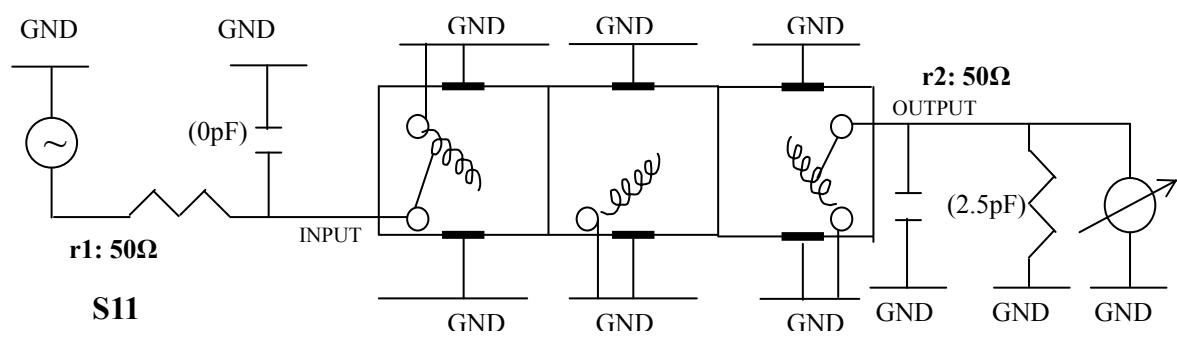
| (3) Electric Characteristic | | | |
|------------------------------|-----------------|-----------------|--------|
| Item | Specify | Performance | |
| Center Freq.(Fo) +/- 0.75 % | 325 MHz | 325 MHz | |
| Tunable Range | 325±4 MHz | 325±4 MHz | |
| Insertion Loss | Typ. 4.5 dB | 3.24 dB | |
| -3 dB Bandwidth | Typ. 7 MHz | 9.9 MHz | |
| Sensitivity (Attenuation) | Fo - 10 MHz | Typ. 18 dBc | 22 dBc |
| | Fo + 10 MHz | Typ. 12 dBc | 15 dBc |
| | Fo - ()MHz | Typ. dBc | dBc |
| | Fo +()MHz | Typ. dBc | dBc |
| Return Loss | Min. 12 dB | 26 dB | |
| Ripple | < 1 dB | dB | |
| Impedance | In / Out : 50 Ω | In / Out : 50 Ω | |

(4) Torque for Tuning Screw >100gf · cm

| (5) Temperature Condition: | |
|----------------------------|---------------|
| Operating Temperature | -30°C ~ +70°C |
| Storage Temperature | -30°C ~ +80°C |

(6) Input Power > 1Watt

(7) Measuring Circuit: ※Easy to match Impedance S11/S22 50Ω/ by parallel with about(0 pF) / (0~2.5pF).
S22



(Bottom View)

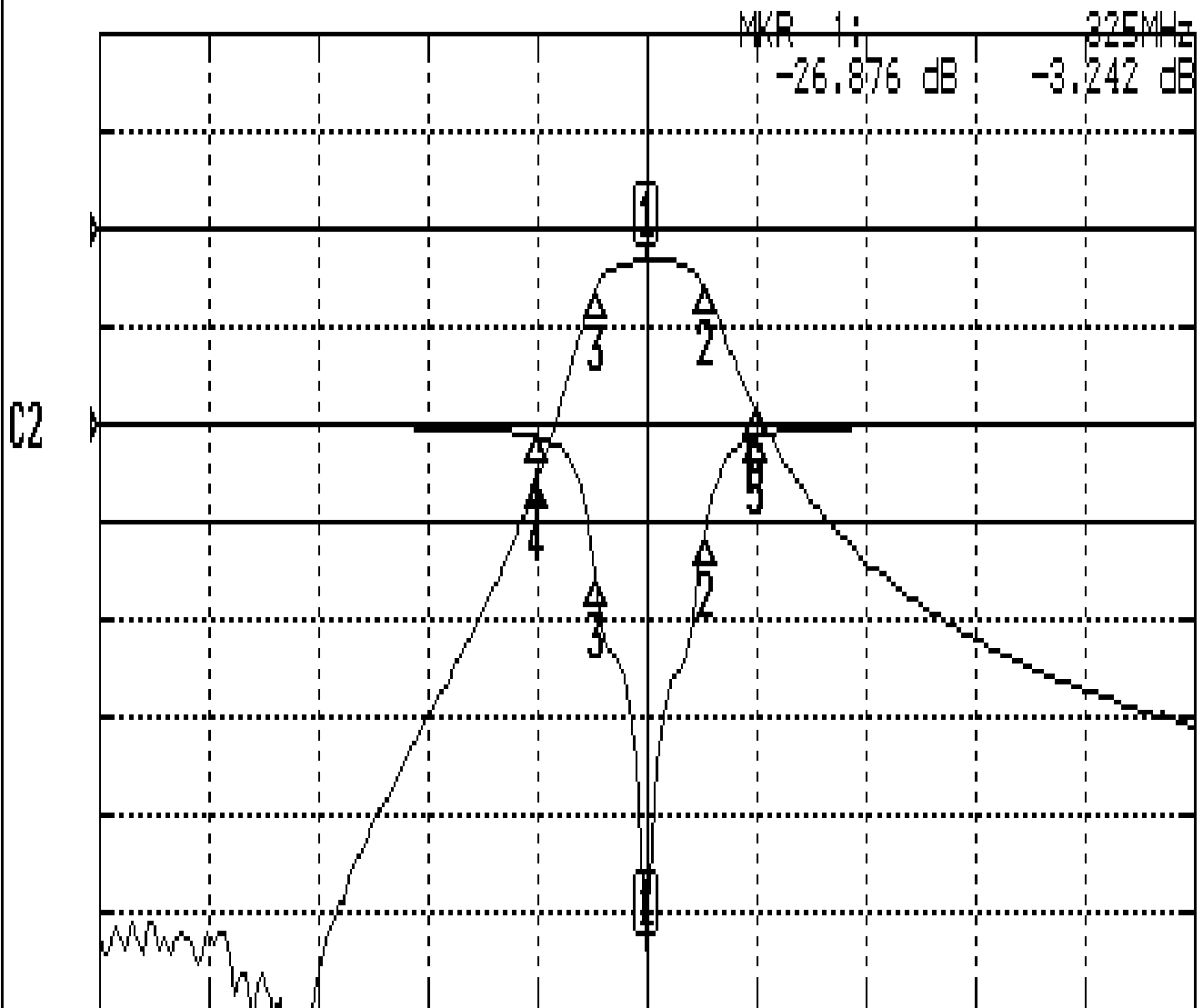
| | | | |
|-----------|------------|------------|----------------------------------|
| Approval | Supervisor | Designer | Aperture size |
| C.Y.Chang | C.S.Chang | P.H.Chiang | 7H3(4*5.5)(5.59) 7H046LB4 聚 3 |

TEMWELL CORPORATION

Performance-TT6797D-325M

20506035B

CH1 S11&S21 LOG MAG REF 0.000 dB 10.000 dB/



CENTER 325MHz

[10.00 dBm]

SPAN 100MHz

CH1 MARKER LIST

| | | | |
|----|------------|------------|------------|
| 1: | 325.000MHz | -26.876 dB | -3.242 dB |
| 2: | 330.333MHz | -5.607 dB | -6.117 dB |
| 3: | 320.416MHz | -7.919 dB | -6.897 dB |
| 4: | 315.000MHz | -0.627 dB | -25.683 dB |
| 5: | 335.000MHz | -0.645 dB | -18.512 dB |