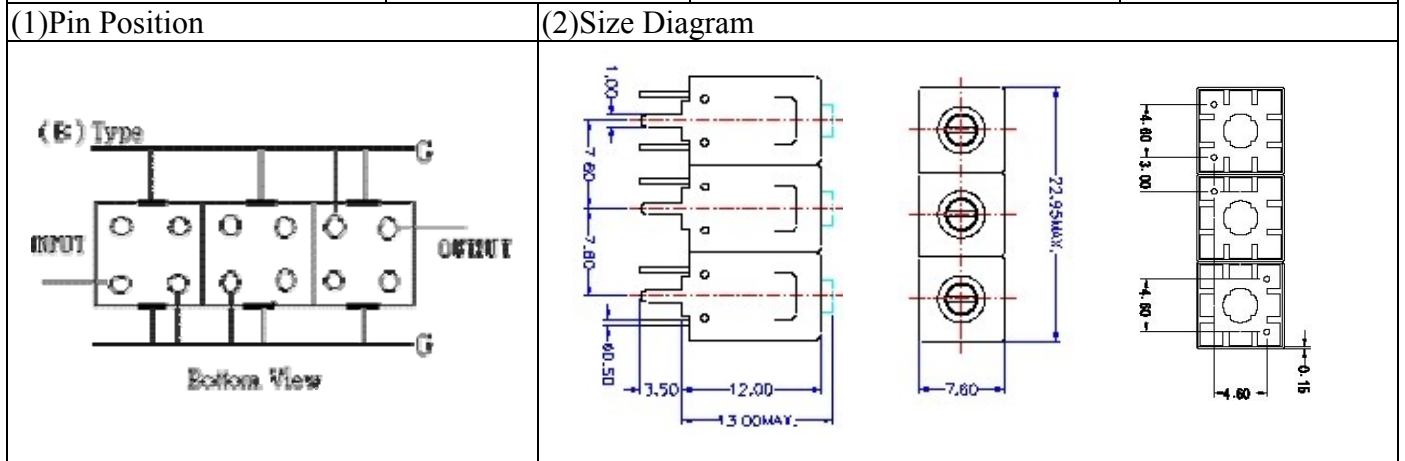


VHF UHF Helical Filter Specification Sheet

Customer Name		Temwell's Part No.	TT67879B-940M
Approval No. /dated	200810016CD	Acceptable Specify Fo Range	931~950MHz
Work Instruction No.	200810016CD	Date	Oct.07.2008



(3) Electric Characteristic

Item	Specify	Performance
Center Freq.(Fo) +/- 0.5 %	940 MHz	940 MHz
Tunable Range:	940±5 MHz	940±5 MHz
Insertion Loss	Typ. 2.0 dB	1.36 dB
-3 dB Bandwidth	Typ. 90 MHz	98.0 MHz
Sensitivity (Attenuation)	Fo - 200 MHz	Typ. 47 dBc
	Fo + 200 MHz	Typ. 25 dBc
	Fo - ()MHz	Typ. dBc
	Fo +()MHz	Typ. dBc
Return Loss	Min. 12 dB	25.5 dB
Ripple	< 1 dB	dB
Impedance	In / Out : 50 Ω	In / Out : 50 Ω

(4) Torque for Tuning Screw > 100gf · cm

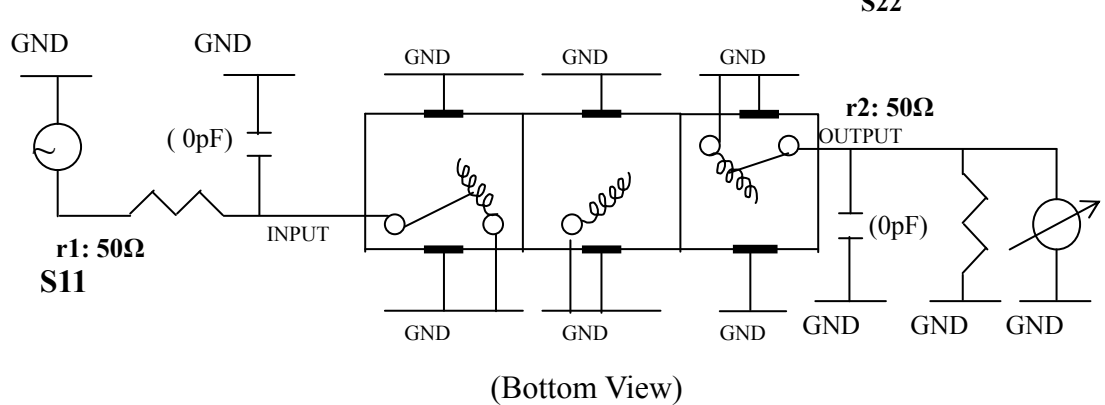
(5) Temperature Condition:

Operating Temperature	0°C ~ +60°C
-----------------------	-------------

Storage Temperature	-20°C ~ +70°C
---------------------	---------------

(6) Input Power > 1Watt

(7) Measuring Circuit: ※Easy to match Impedance S11/S22 50Ω by parallel with about(0pF) / (0pF).



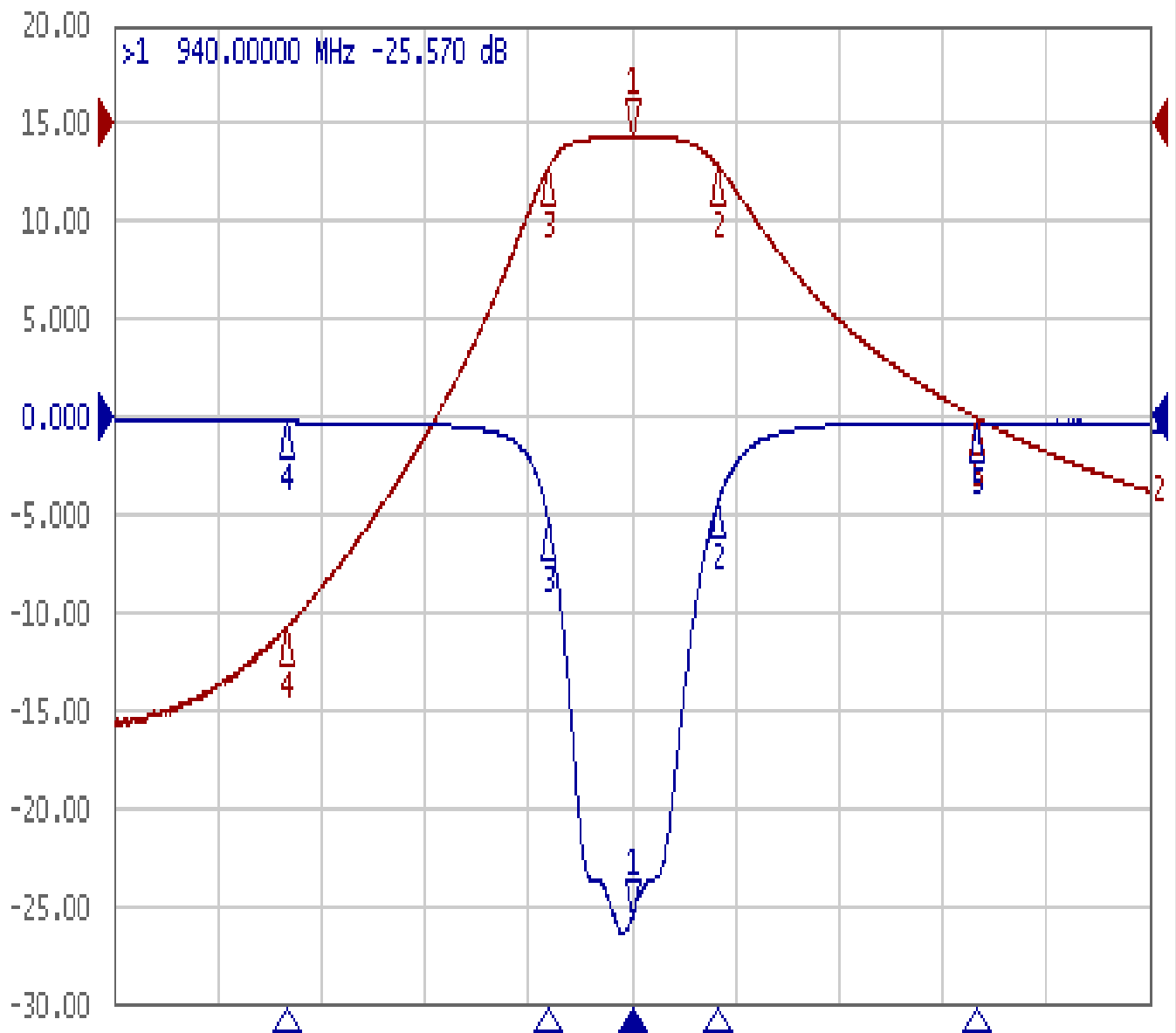
Approval	Supervisor	Designer	Aperture size
C.Y.Chang	C.S.Chang	C.S.Chang	7H3S(4*8.0F) (7H046RB5.5)

TEMWELL CORPORATION

Performance-TT67879B-940M

200810016CD

▶ Tr1 S11 Log Mag 5.000dB/ Ref 0.000dB [F3]
Tr2 S21 Log Mag 10.00dB/ Ref 0.000dB [F3]



1 Center 940 MHz

IFBW 10 kHz

Span 600 MHz

C7 !

Ch1	Tr1	S11	>1	940.00000	MHz	-25.570	dB
Ch1	Tr1	S11	2	989.99150	MHz	-4.3004	dB
Ch1	Tr1	S11	3	891.92400	MHz	-5.4558	dB
Ch1	Tr1	S11	4	740.00000	MHz	-0.2607	dB
Ch1	Tr1	S11	5	1.1400000	GHz	-0.3466	dB
Ch1	Tr2	S21	1	940.00000	MHz	-1.3687	dB
Ch1	Tr2	S21	2	989.99150	MHz	-4.4018	dB
Ch1	Tr2	S21	3	891.92400	MHz	-4.3741	dB
Ch1	Tr2	S21	4	740.00000	MHz	-51.577	dB
Ch1	Tr2	S21	5	1.1400000	GHz	-30.149	dB