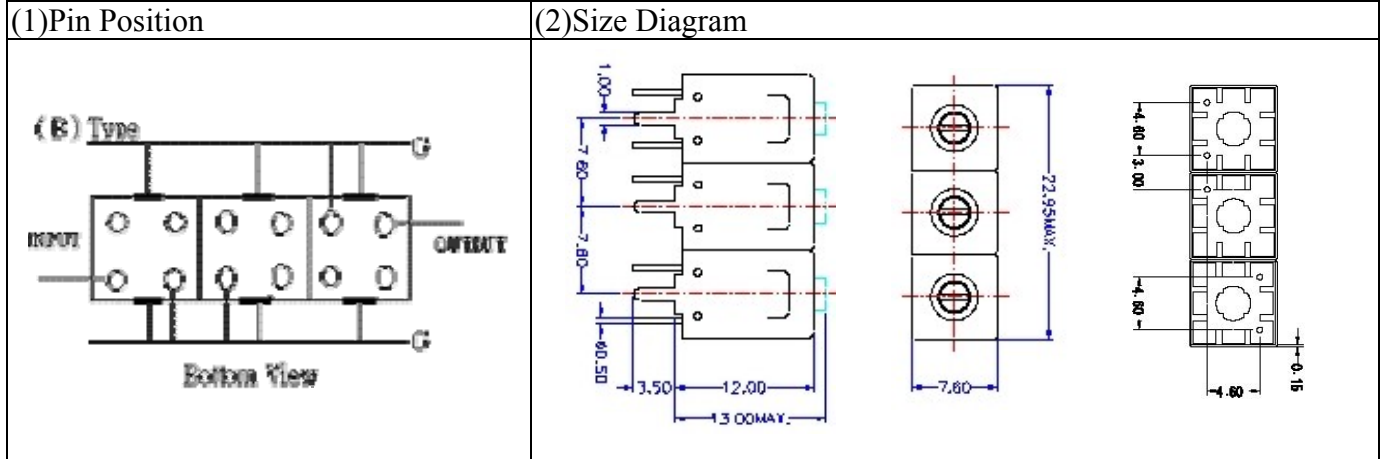


# VHF UHF Helical Filter Specification Sheet

Customer Name		Temwell's Part No.	TT67877B-815M
Approval No. /dated	200810013CD	Acceptable Specify Fo Range	801~830MHz
Work Instruction No.	200810013CD	Date	Oct.07.2008



(3) Electric Charasteric

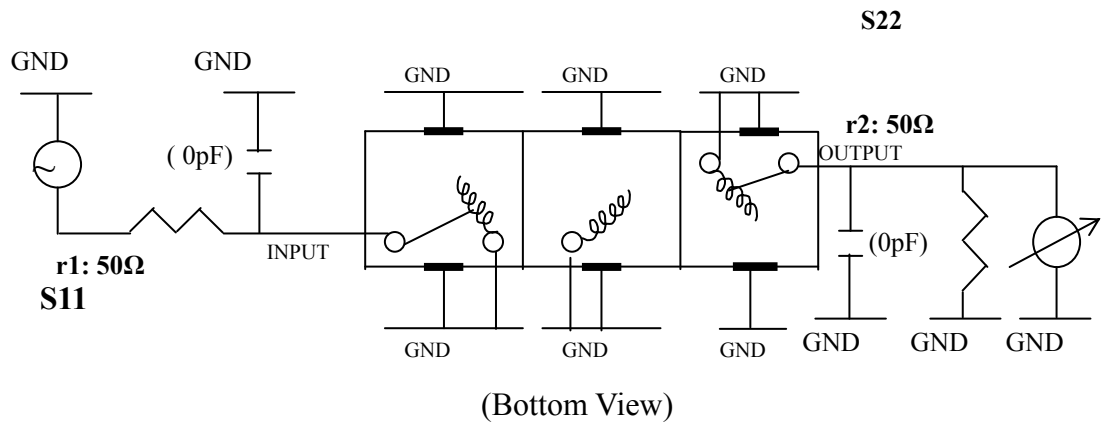
Item	Specify	Performance
Center Freq.(Fo) +/- 0.5 %	815 MHz	815 MHz
Tunable Range:	815±5 MHz	815±5 MHz
Insertion Loss	Typ. 2.0 dB	1.34 dB
-3 dB Bandwidth	Typ. 90 MHz	93 MHz
Sensitivity (Attenuation)	Fo - 200 MHz	Typ. 55 dBc
	Fo + 200 MHz	Typ. 28 dBc
	Fo - ( )MHz	Typ. dBc
	Fo +( )MHz	Typ. dBc
Return Loss	Min. 12 dB	23.2 dB
Ripple	< 1 dB	dB
Impedance	In / Out : 50 Ω	In / Out : 50 Ω
(4) Torque for Tuning Screw	> 100gf · cm	

(5) Temperature Condition:

Operating Temperature	0°C ~ +60°C
Storage Temperature	-20°C ~ +70°C

(6) Input Power > 1Watt

(7) Measuring Circuit: ※Easy to match Impedance S11/S22 50Ω by parallel with about(0pF) / (0pF).



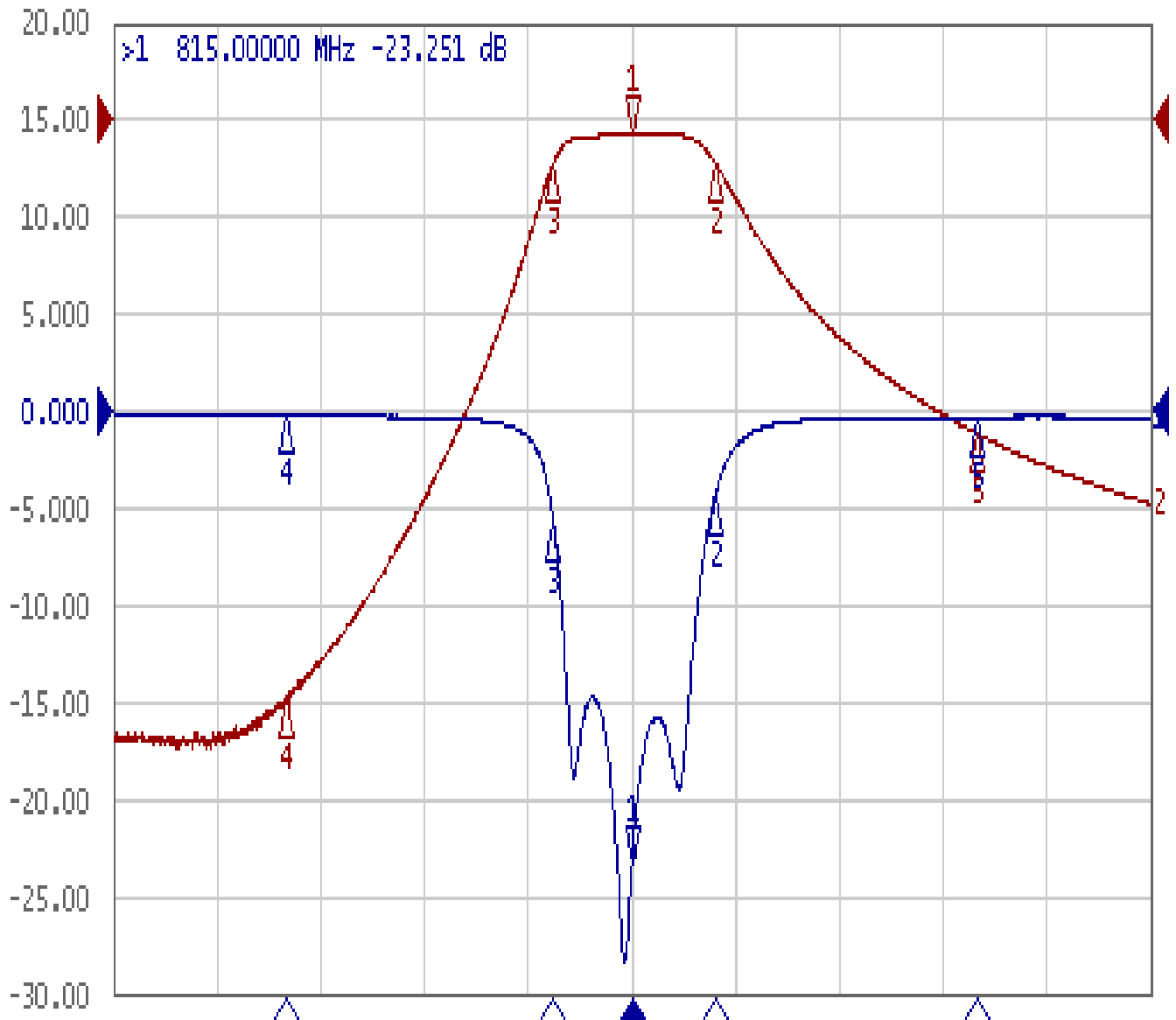
Approval C.Y.Chang	Supervisor C.S.Chang	Designer C.S.Chang	Aperture size 7H3S(4*8.0F) (7H046RB5.5)
-----------------------	-------------------------	-----------------------	-----------------------------------------------

TEMWELL CORPORATION

# Performance-TT67877B-815M

## 200810013CD

▶ Tr1 S11 Log Mag 5.000dB/ Ref 0.000dB [F3]  
Tr2 S21 Log Mag 10.00dB/ Ref 0.000dB [F3]



1 Center 815 MHz

IFBW 10 kHz

Span 600 MHz



Ch1	Tr1	S11	>1	815.00000 MHz	-23.251 dB
Ch1	Tr1	S11	2	862.84450 MHz	-4.3617 dB
Ch1	Tr1	S11	3	769.61525 MHz	-5.7152 dB
Ch1	Tr1	S11	4	615.00000 MHz	-0.1956 dB
Ch1	Tr1	S11	5	1.0150000 GHz	-0.2782 dB
Ch1	Tr2	S21	1	815.00000 MHz	-1.3444 dB
Ch1	Tr2	S21	2	862.84450 MHz	-4.3154 dB
Ch1	Tr2	S21	3	769.61525 MHz	-4.3464 dB
Ch1	Tr2	S21	4	615.00000 MHz	-59.598 dB
Ch1	Tr2	S21	5	1.0150000 GHz	-32.318 dB