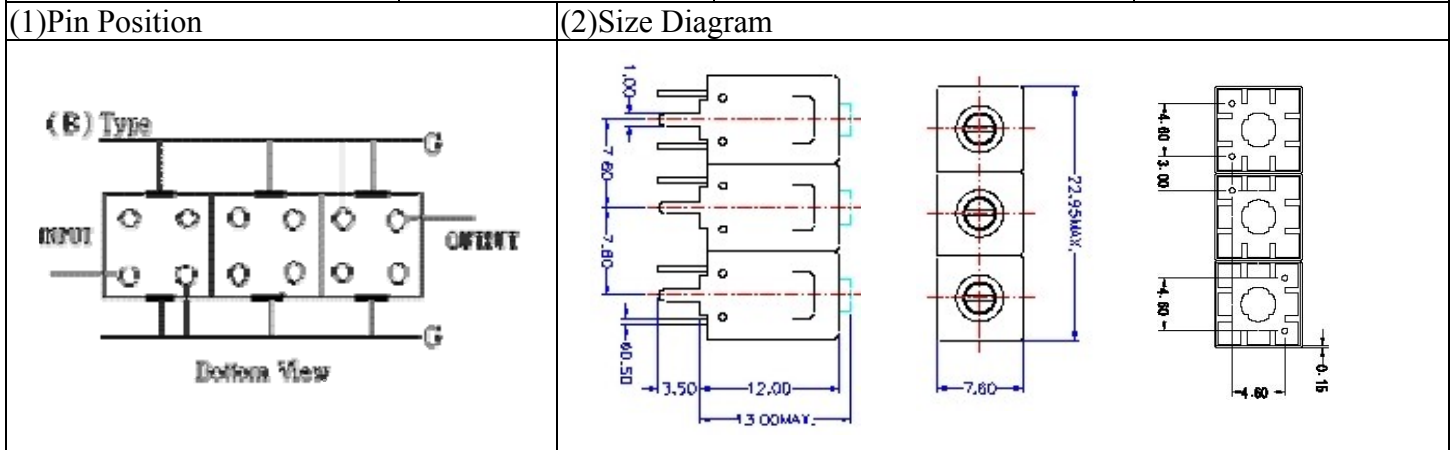


VHF UHF Helical Filter Specification Sheet

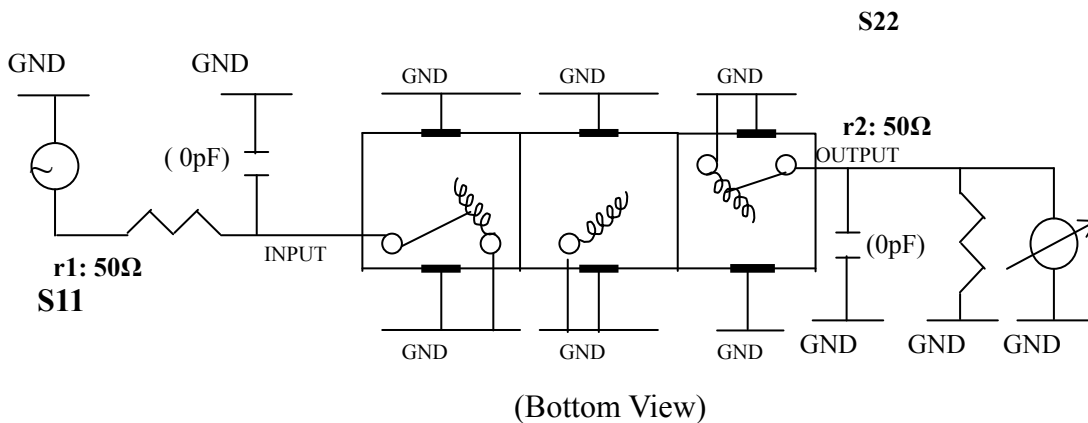
Customer Name		Temwell's Part No.	TT67876B-725M
Approval No. /dated	0810012CD	Customer's Print Name.	67876B 725M
Work Instruction No.	200810012CD	Date	Oct.07.2008



(3) Electric Characteristic

Item	Specify	Performance	
Center Freq.(Fo) +/- 0.5 %	725 MHz	725 MHz	
Tunable Range:	725±5 MHz	725±5 MHz	
Insertion Loss	Typ. 2.0 dB	1.00 dB	
-3 dB Bandwidth	Typ. 90 MHz	94.4 MHz	
Sensitivity (Attenuation)	Fo - 200 MHz	Typ. 55 dBc	58 dBc
	Fo + 200 MHz	Typ. 25 dBc	28 dBc
	Fo - ()MHz	Typ. dBc	dBc
	Fo +()MHz	Typ. dBc	dBc
Return Loss	Min. 12 dB	26.0 dB	
Ripple	< 1 dB	dB	
Impedance	In / Out : 50 Ω	In / Out : 50 Ω	
(4) Torque for Tuning Screw	> 100gf • cm		
(5) Temperature Condition:			
Operating Temperature	0°C ~ +60°C		
Storage Temperature	-20°C ~ +70°C		
(6) Input Power	> 1Watt		

(7) Measuring Circuit: ※Easy to match Impedance S11/S22 50Ω by parallel with about(0pF) / (0pF).



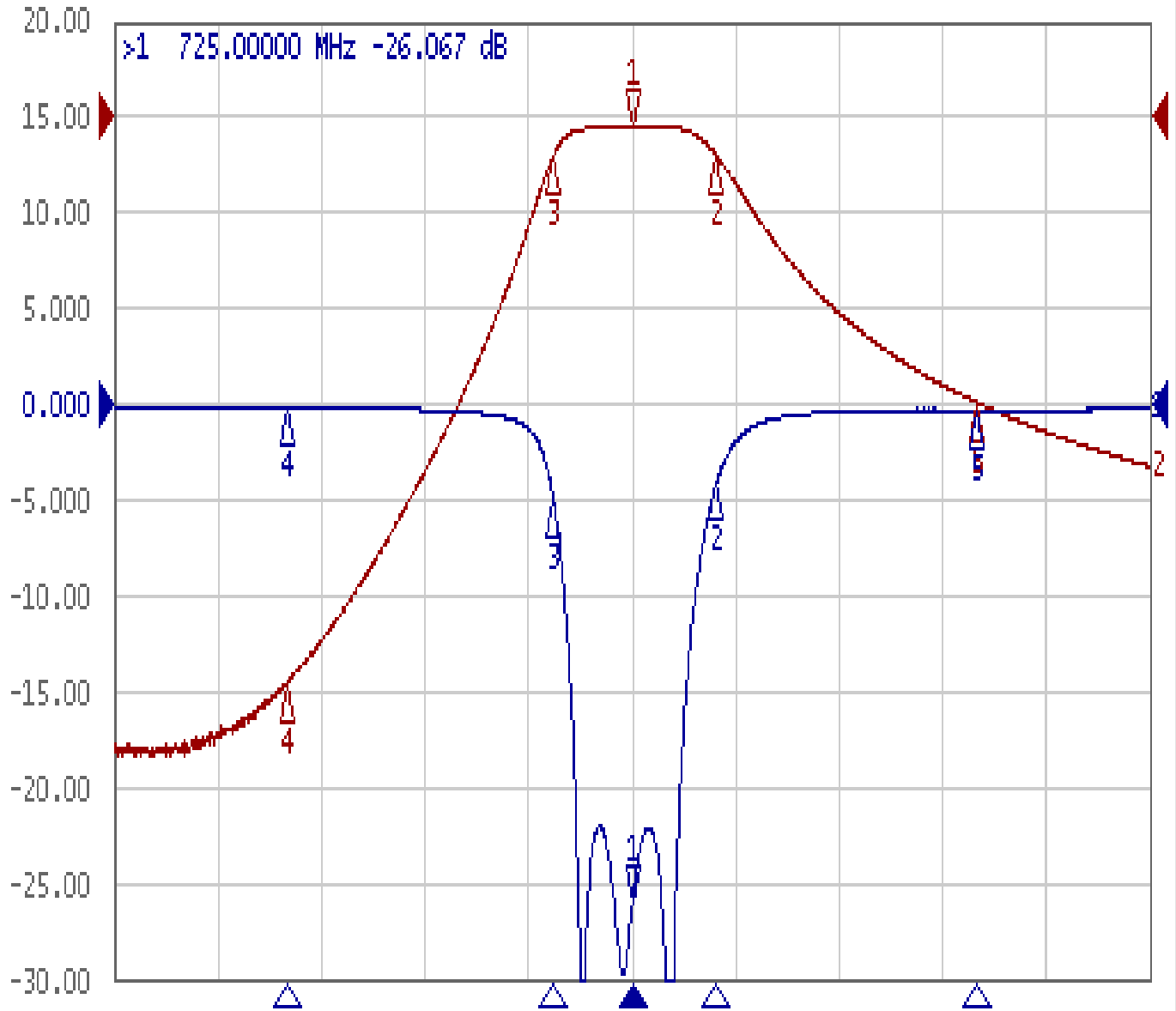
Approval	Supervisor	Designer	Aperture size
C.Y.Chang	C.S.Chang	C.S.Chang	7H3S(4*8.0F) (7H046RB5.5)

TEMWELL CORPORATION

Performance-TT67876B-725M

200810012CD

▶ Tr1 S11 Log Mag 5.000dB/ Ref 0.000dB [F3]
Tr2 S21 Log Mag 10.00dB/ Ref 0.000dB [F3]



1 Center 725 MHz

IFBW 10 kHz

Span 600 MHz

Ch1	Tr1	S11	>1	725.00000	MHz	-26.067	dB
Ch1	Tr1	S11	2	773.98900	MHz	-4.0222	dB
Ch1	Tr1	S11	3	679.55900	MHz	-5.0058	dB
Ch1	Tr1	S11	4	525.00000	MHz	-0.1940	dB
Ch1	Tr1	S11	5	925.00000	MHz	-0.2885	dB
Ch1	Tr2	S21	1	725.00000	MHz	-1.0048	dB
Ch1	Tr2	S21	2	773.98900	MHz	-4.0242	dB
Ch1	Tr2	S21	3	679.55900	MHz	-4.0031	dB
Ch1	Tr2	S21	4	525.00000	MHz	-59.247	dB
Ch1	Tr2	S21	5	925.00000	MHz	-29.786	dB